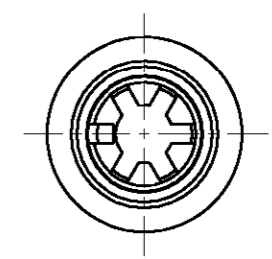
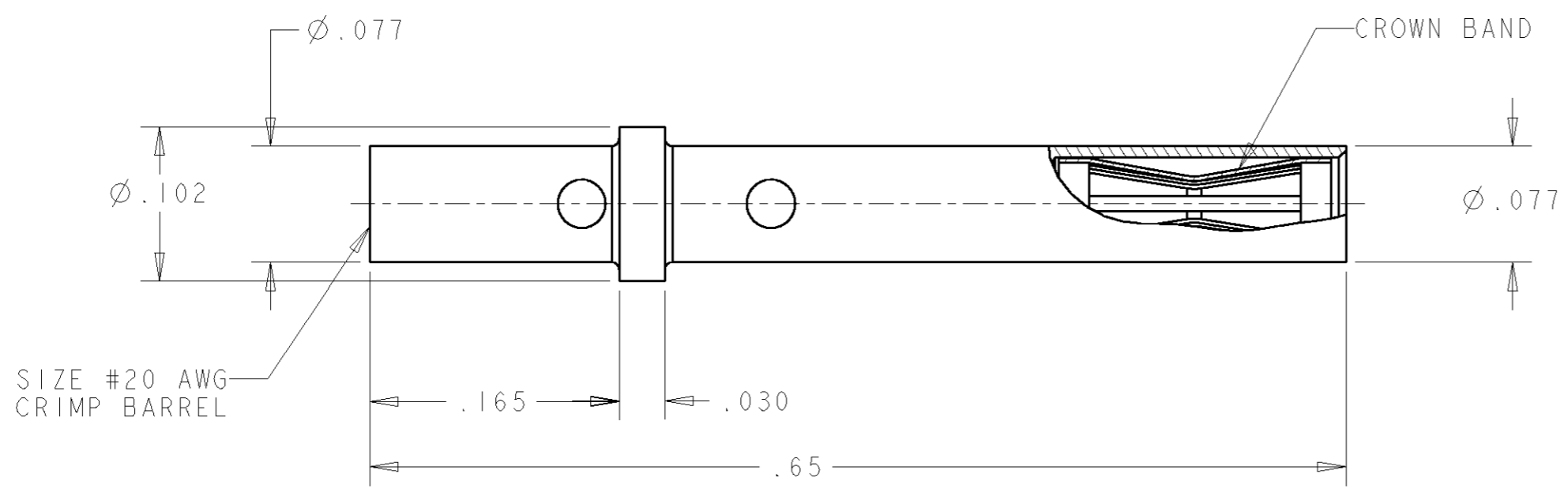


THIS DRAWING IS UNPUBLISHED. RELEASED FOR PUBLICATION 20  
 © COPYRIGHT BY ALL RIGHTS RESERVED.

LOC	DIST	REVISIONS					
GP	00	P	LTR	DESCRIPTION	DATE	DWN	APVD
		A1		REVISED PER ECO-11-005294	30APR11	RK	HMR



1. PART NUMBER CHANGES AND/OR DESIGN CHANGES AFFECTING ITEM INTERCHANGEABILITY REQUIRES PRIOR TYCO APPROVAL AND AUTHORIZATION BY REVISION TO THIS DRAWING.

2 MATERIAL:  
 BODY: COPPER ALLOY  
 CROWN BAND: BERYLLIUM COPPER

3 FINISH:  
 BODY: GOLD PLATE .000010 MIN THK. OVER NICKEL  
 .000040 MIN THK.  
 CROWN BAND: GOLD PLATE .000030 MIN THK. IN CONTACT AREA  
 OVER NICKEL .000040 MIN THK.

4. ITEMS PROVIDED TO THIS SPECIFICATION TO BE PERMANENTLY IDENTIFIED ON THE CONTAINER PER THE FOLLOWING IDENTIFIER:

AS SHOWN	1648325-1
DESCRIPTION	PART NUMBER

TE CONNECTIVITY NUMBER: XXXXXXXX-X  
 DATE CODE (eg. 0216): YEAR WEEK  
 XXXX

DWN R.GRZYBOWSKI 07 JUN 2006		<b>TE</b> TE Connectivity	
CHK S.FLICKINGER 07 JUN 2006			
APVD S.FLICKINGER 07 JUN 2006		NAME CONTACT, SOCKET, SIZE NO. 20 CRIMP STYLE, LOW INSERTION FORCE	
DIMENSIONS: INCHES		PRODUCT SPEC -	
TOLERANCES UNLESS OTHERWISE SPECIFIED:		APPLICATION SPEC -	
0 PLC ±-		WEIGHT -	
1 PLC ±-		SIZE A3	
2 PLC ±.01		CAGE CODE 00779	
3 PLC ±.005		DRAWING NO C-1648325	
4 PLC ±-		RESTRICTED TO -	
ANGLES ±.5		SCALE 10:1	
MATERIAL 2		SHEET 1 OF 1	
FINISH 3		REV A1	
CUSTOMER DRAWING			

## X-ON Electronics

Largest Supplier of Electrical and Electronic Components

*Click to view similar products for [Heavy Duty Power Connectors](#) category:*

*Click to view products by [TE Connectivity](#) manufacturer:*

Other Similar products are found below :

[647757-1](#) [6643411-1](#) [6646058-2](#) [6646137-1](#) [6646138-1](#) [6646479-1](#) [6646608-1](#) [6646786-1](#) [6646940-1](#) [6651091-1](#) [6651525-1](#) [6651529-1](#)  
[6651788-1](#) [696475-1](#) [702-32-01109](#) [703-25-02205](#) [73000005059](#) [73000005642](#) [73080255059](#) [73080965046](#) [765-15-0080A](#) [765-16-0080B](#)  
[765-18-0080D](#) [829992-1](#) [902-77-02113](#) [PS00/A0620/6300](#) [PS25/A0420/63](#) [129-1J](#) [1409400](#) [AN0024023](#) [E6374G1](#) [e6389g2](#) [157-43GW8](#)  
[MS3117-14AC](#) [1643543-1](#) [1650540-1](#) [1651811-2](#) [1766260-1](#) [1766282-1](#) [1766966-1](#) [1791340000](#) [NLDFT-3-BL-L-S120-M40A](#) [NLDFT-N-](#)  
[W-L-C240-M40B](#) [NLS-2-R-C240-M40B](#) [NLS-N-W-C240-M40B](#) [NPS-3-BL-T6](#) [1986615-1](#) [2-1589900-8](#) [2199314-1](#) [KA8102](#)