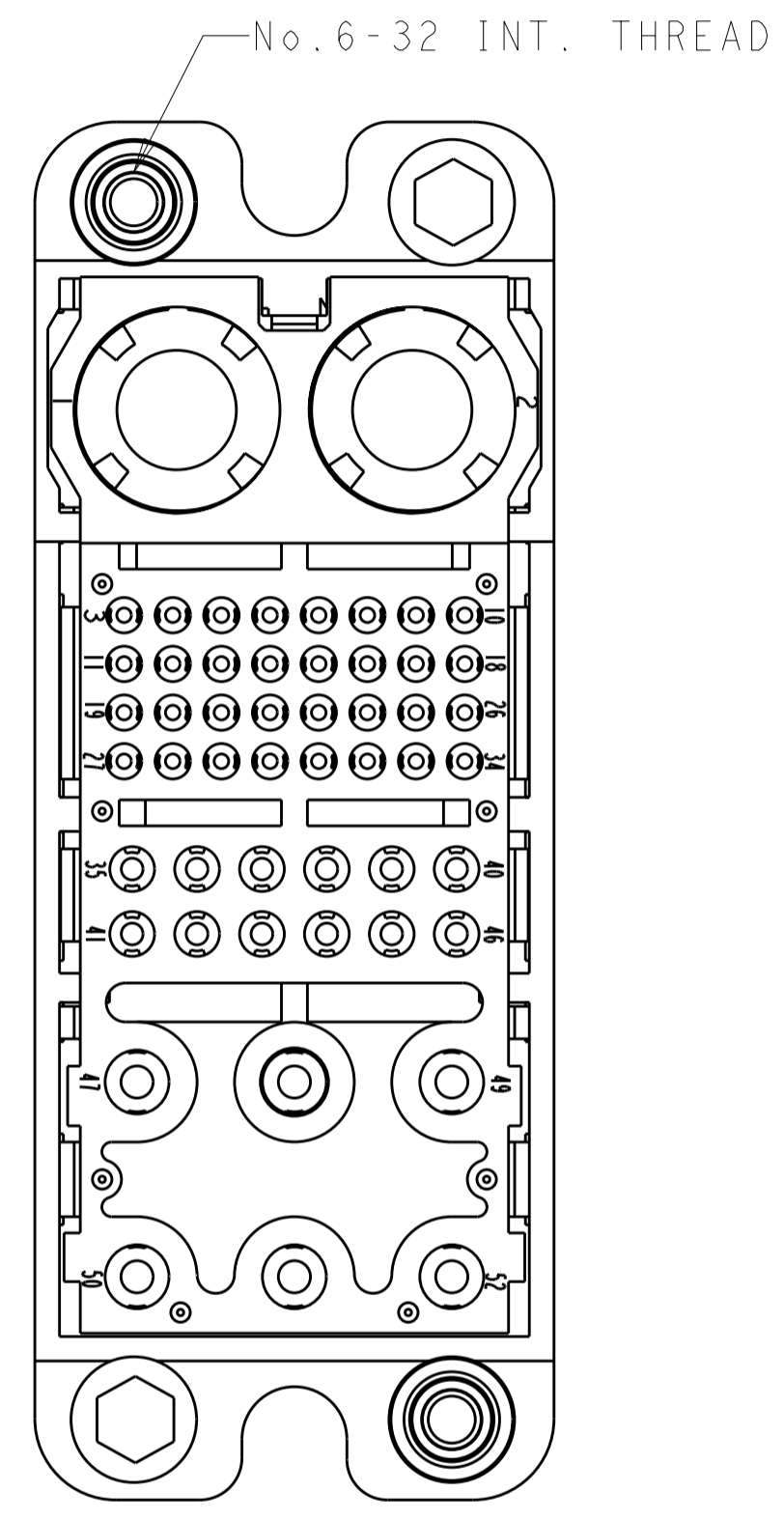
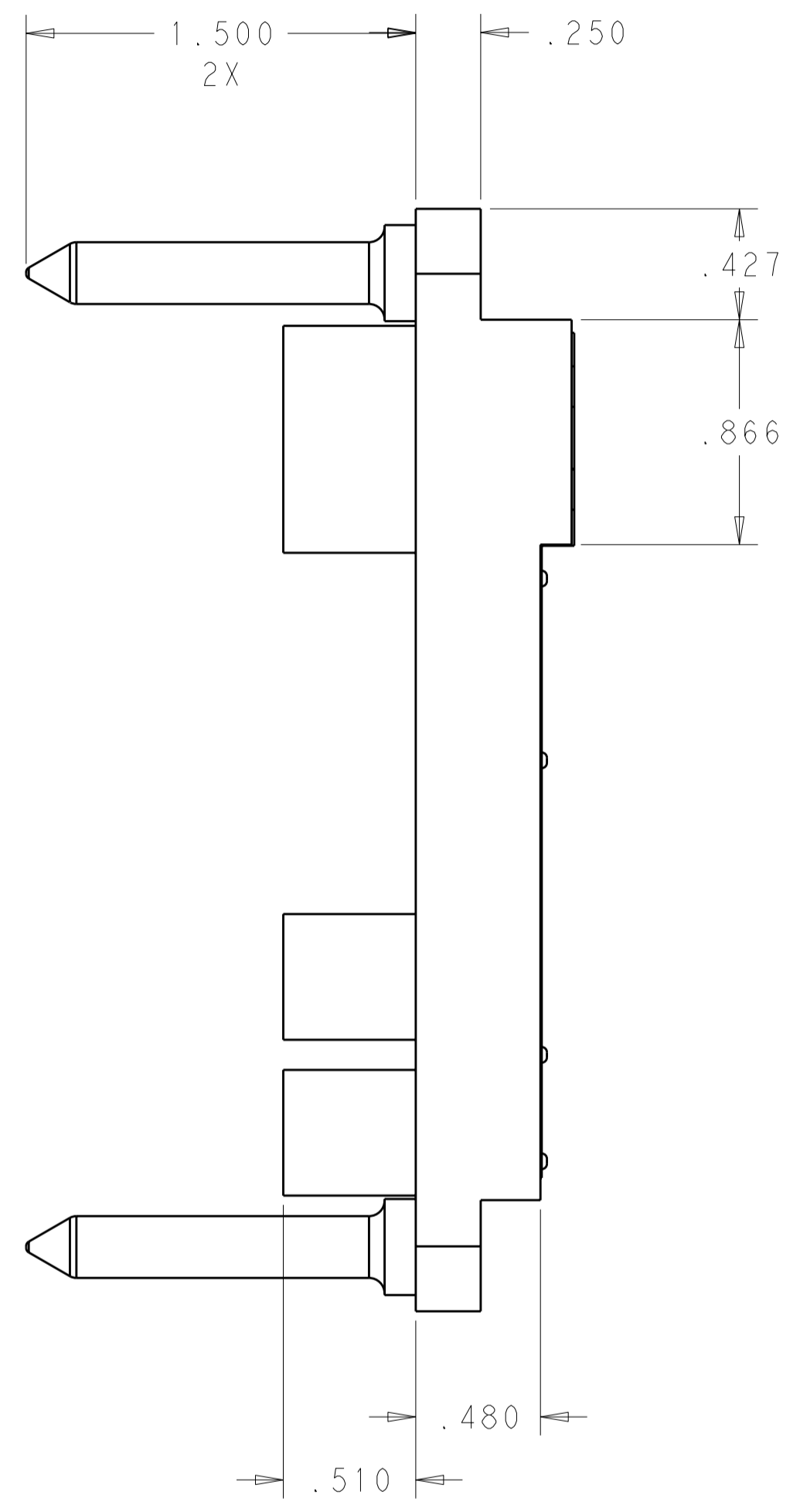
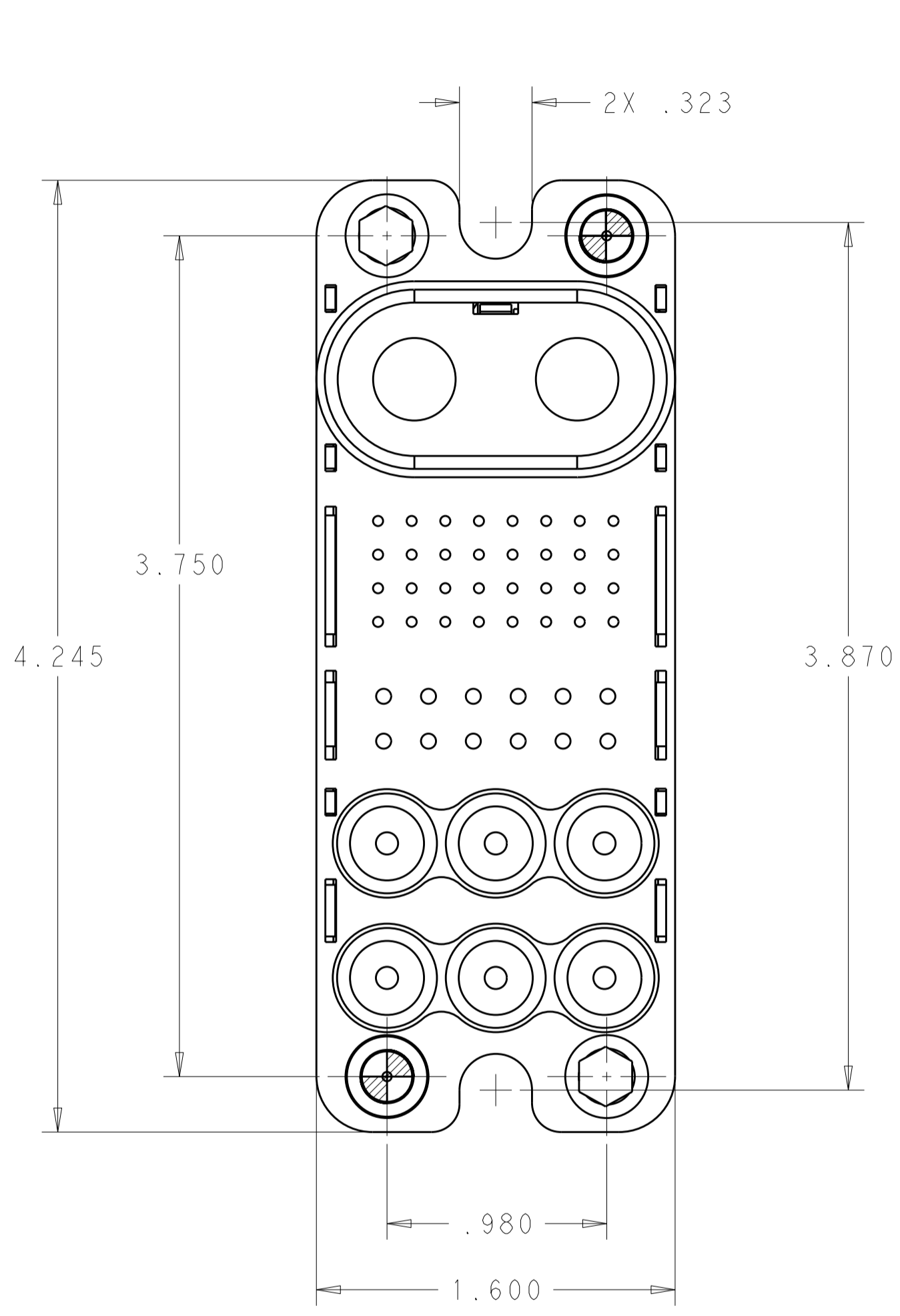


THIS DRAWING IS UNPUBLISHED. RELEASED FOR PUBLICATION 20  
 © COPYRIGHT 20 BY - ALL RIGHTS RESERVED.

| REVISIONS |     |             |           |       |
|-----------|-----|-------------|-----------|-------|
| P         | LTR | DESCRIPTION | DATE      | APVD  |
| A         |     | RELEASED    | 06APR2011 | RG DO |
|           |     |             |           |       |
|           |     |             |           |       |



1 MATERIAL:  
 INSULATOR - THERMOPLASTIC, GLASS REINFORCED,  
 FLAMABILITY RATED, COLOR BLACK  
 RETENTION CLIP - BERYLLIUM COPPER OR STAINLESS STEEL  
 GUIDE PIN - STAINLESS STEEL

2 FINISH:  
 GUIDE PIN - PASSIVATE

3. REPRESENTS GUIDE PIN LOCATION.

1648571-1  
 PART  
 NUMBER

|  |  |   |  |                    |                        |
|--|--|---|--|--------------------|------------------------|
| THIS DRAWING IS A CONTROLLED DOCUMENT.   |  | DWN<br>R. GRZYBOWSKI<br>06APR2011                         | TE Connectivity  |                    |                        |
| DIMENSIONS:<br>INCHES  |  | CHK<br>D. ORRIS<br>06APR2011                              |  |                    |                        |
| TOLERANCES UNLESS OTHERWISE SPECIFIED:   |  | APVD<br>D. ORRIS<br>06APR2011                             | NAME<br>SUBASSEMBLY, HOUSING, PIN<br>GUIDE PINS W/ 6-32 INT. THD<br>TOP DRAWER |                    |                        |
| 0 PLC ±<br>1 PLC ±<br>2 PLC ±.02<br>3 PLC ±.010<br>4 PLC ±<br>ANGLES ±<br>FINISH |  | PRODUCT SPEC<br>108-2285<br>APPLICATION SPEC<br>114-13206 | SIZE<br>A2   | CAGE CODE<br>00779 | DRAWING NO.<br>1648571 |
| MATERIAL<br>1 -  |  | WEIGHT<br>-   | RESTRICTED TO<br>-   |                    |                        |
| CUSTOMER DRAWING   |  | SCALE<br>2:1  | SHEET<br>1   | OF<br>1            | REV<br>A               |

## X-ON Electronics

Largest Supplier of Electrical and Electronic Components

*Click to view similar products for [Heavy Duty Power Connectors](#) category:*

*Click to view products by [TE Connectivity](#) manufacturer:*

Other Similar products are found below :

[647757-1](#) [6643411-1](#) [6646058-2](#) [6646137-1](#) [6646138-1](#) [6646479-1](#) [6646608-1](#) [6646786-1](#) [6646940-1](#) [6651091-1](#) [6651525-1](#) [6651529-1](#)  
[6651788-1](#) [696475-1](#) [702-32-01109](#) [703-25-02205](#) [73000005059](#) [73000005642](#) [73080255059](#) [73080965046](#) [765-15-0080A](#) [765-16-0080B](#)  
[765-18-0080D](#) [829992-1](#) [902-77-02113](#) [PS00/A0620/6300](#) [PS25/A0420/63](#) [129-1J](#) [1409400](#) [AN0024023](#) [E6374G1](#) [e6389g2](#) [157-43GW8](#)  
[MS3117-14AC](#) [1643543-1](#) [1650540-1](#) [1651811-2](#) [1766260-1](#) [1766282-1](#) [1766966-1](#) [1791340000](#) [NLDFT-3-BL-L-S120-M40A](#) [NLDFT-N-](#)  
[W-L-C240-M40B](#) [NLS-2-R-C240-M40B](#) [NLS-N-W-C240-M40B](#) [NPS-3-BL-T6](#) [1986615-1](#) [2-1589900-8](#) [2199314-1](#) [KA8102](#)