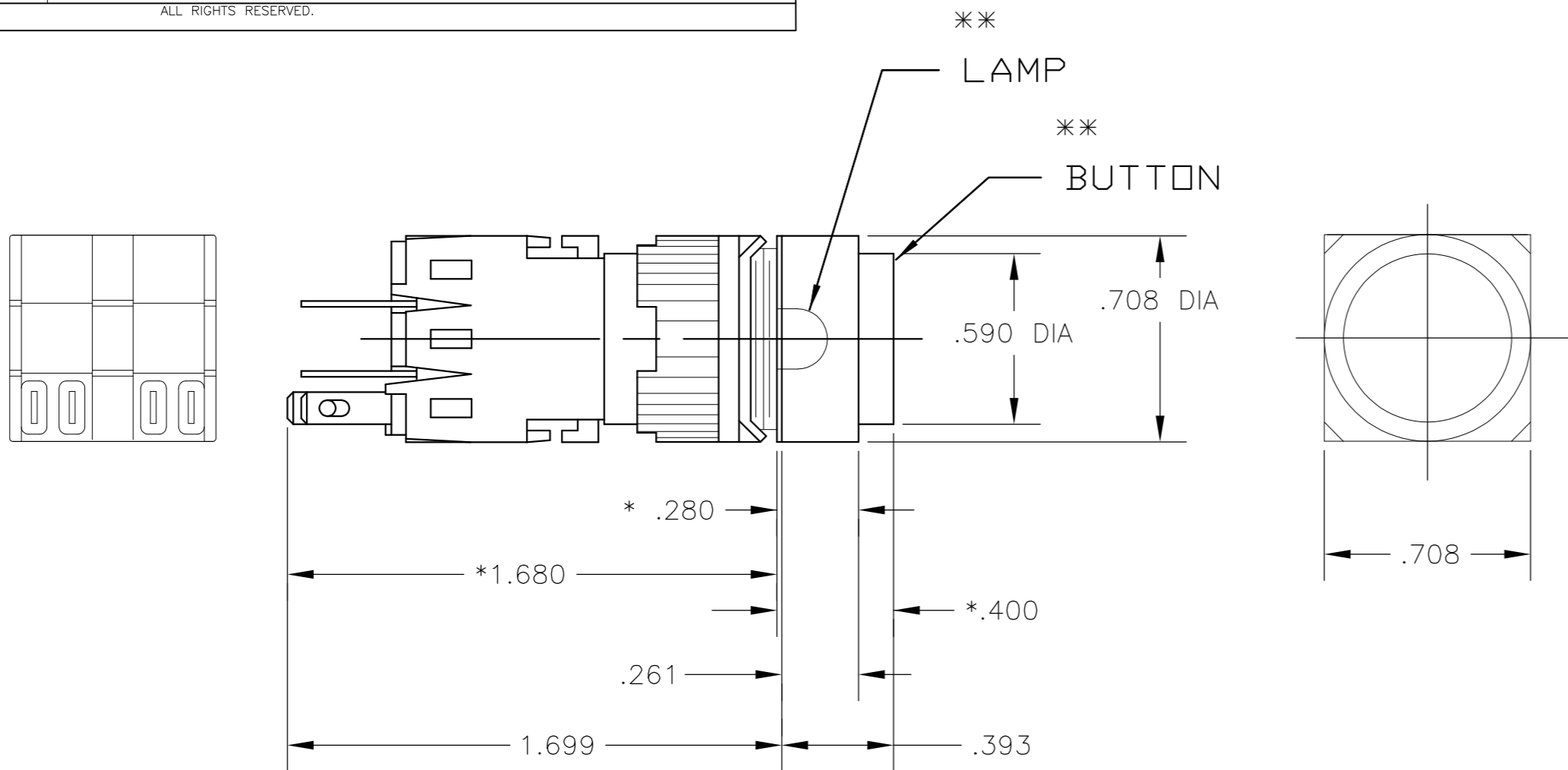


THIS DRAWING IS UNPUBLISHED. RELEASED FOR PUBLICATION
 © COPYRIGHT - By - ALL RIGHTS RESERVED.

LOC	DIST	REVISIONS					
AD	00	P	LTR	DESCRIPTION	DATE	DWN	APVD
		A1		REVISED PER ECO-11-004917	11MAR11	RK	HMR



SPECIFICATIONS:

MATERIALS:

MOVEABLE CONTACT: COPPER ALLOY, GOLD PLATE OVER SILVER CLAD.

FIXED CONTACT: COPPER ALLOY, GOLD PLATE OVER SILVER CLAD.

ELECTRICAL:

CONTACT RATING: 0.4VA @ 20VDC OR PEAK AC.

5 AMPS @ 250VAC OR 24VDC (RESISTANCE).

INITIAL CONTACT RESISTANCE: 20 MILLIOHMS MAX

INSULATION RESISTANCE: 100 MEGOHMS MINIMUM

DIELECTRIC STRENGTH: 1500 VOLTS RMS @ SEA LEVEL

LIFE EXPECTANCY: 100,000 OPERATIONS AT RATED CURRENT

ENVIRONMENTAL:

OPERATING TEMPERATURE: -4 F TO 122 F
(-20 C TO 50 C)

STORAGE TEMPERATURE: -4 F TO 122 F
(-20 C TO 50 C)

NOTES:

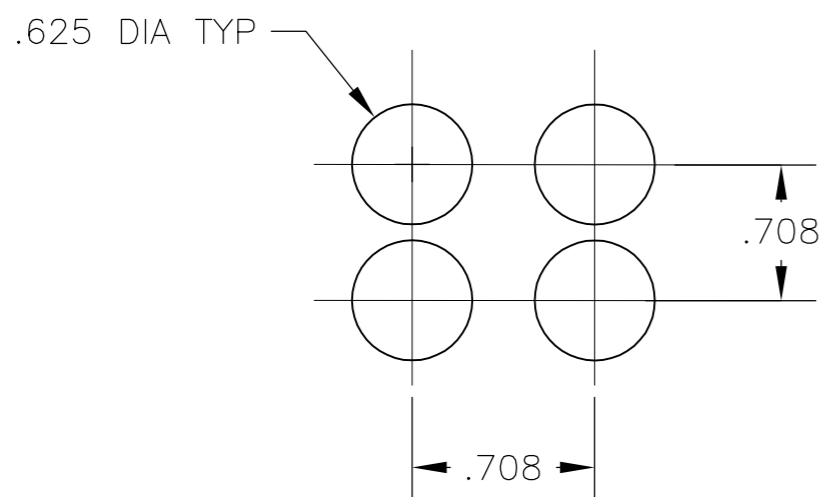
1. INTERPRET DRAWING PER ASME Y14.5M-1994
2. DILTIGHT MODELS MEET NEMA 1, 12, 13 REQUIREMENTS
3. UL RECOGNIZED E-51302
4. PANEL THICKNESS: NON-DILTIGHT = 0.230 MAX
DILTIGHT = 0.210 MAX

△ THE PLATINGS CONTAINED IN THIS PART SHALL CONTAIN NO LEAD.

△ PRELIMINARY PART, NOT RELEASED FOR PRODUCTION.

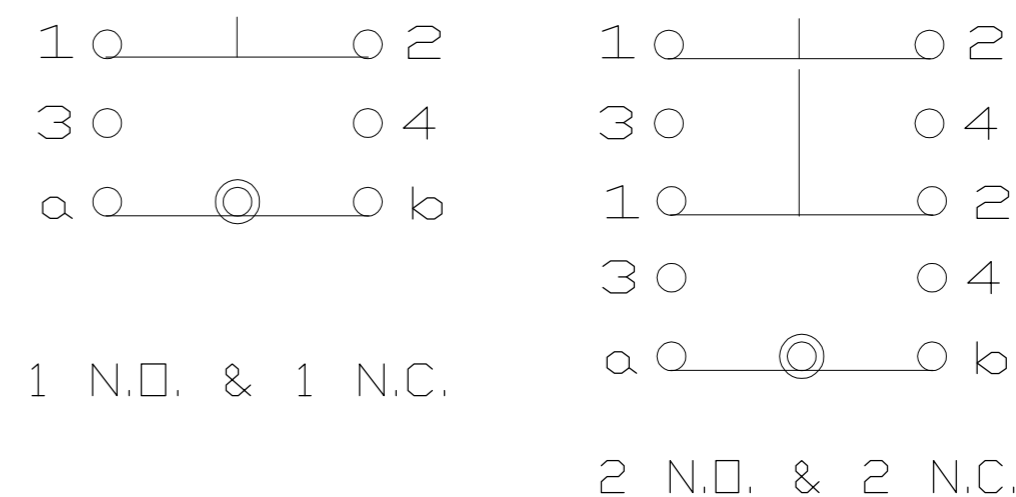
* DENOTES DILTIGHT VERSION DIMENSIONS

** ORDER BUTTON AND LAMP SEPARATELY: SEE REF 80810 & 80811



PANEL CUTOUT
TOLERANCE +/- .002

* DENOTES DILTIGHT VERSION DIMENSION
 ** ORDER BUTTON AND LAMP SEPARATELY: SEE REF 80810 & 80811



CONTACT DIAGRAM
(BUTTON NOT DEPRESSED)

WAS DWG 80809

PART No.	COMMENTS	MODEL NON DILTIGHT	MODEL DILTIGHT	CONTACTS	ACTION
1571543-3	△1 △2	164EL522		2 N.O. & N.C.	PUSH ON/PUSH OFF
1571543-2	△1 △2	164EL511		1 N.O. & N.C.	PUSH ON/PUSH OFF
1571543-1	△1 △2	164EL11		1 N.O. & N.C.	MOMENTARY
			165EL533	3 N.O. & N.C.	PUSH ON/PUSH OFF
4-1437569-5			165EL522	2 N.O. & N.C.	PUSH ON/PUSH OFF
4-1437569-4			165EL511	1 N.O. & N.C.	PUSH ON/PUSH OFF
			165EL33	3 N.O. & N.C.	MOMENTARY
4-1437569-3			165EL22	2 N.O. & N.C.	MOMENTARY
4-1437569-2			165EL11	1 N.O. & N.C.	MOMENTARY
1437569-7		164EL533		3 N.O. & N.C.	PUSH ON/PUSH OFF
1437569-6		164EL522		2 N.O. & N.C.	PUSH ON/PUSH OFF
1437569-5		164EL511		1 N.O. & N.C.	PUSH ON/PUSH OFF
1437569-4		164EL5		-	PUSH ON/PUSH OFF
		164EL33		3 N.O. & N.C.	MOMENTARY
1437569-3		164EL22		2 N.O. & N.C.	MOMENTARY
1437569-2		164EL11		1 N.O. & N.C.	MOMENTARY
1437569-1		164EL		-	MOMENTARY

THIS DRAWING IS A CONTROLLED DOCUMENT.		DWN CMM	11-4-87		TE Connectivity		
DIMENSIONS: INCHES		CHK JB	12-8-87		NAME ILLUMINATED PUSHBUTTON (164EL SERIES)		
TOLERANCES UNLESS OTHERWISE SPECIFIED:		APVD SMM	12-9-87		SIZE A2		
0 PLC ± - 1 PLC ± - 2 PLC ± - 3 PLC ± .010 4 PLC ± - ANGLES ± -		PRODUCT SPEC APPLICATION SPEC			CAGE CODE 00779		
MATERIAL		FINISH	WEIGHT	DRAWING NO 1437569-1		RESTRICTED TO	
				SCALE NTS		SHEET 1 OF 1	
				CUSTOMER DRAWING		REV A1	

X-ON Electronics

Largest Supplier of Electrical and Electronic Components

Click to view similar products for [TE Connectivity](#) manufacturer:

Other Similar products are found below :

[D38999/24FJ4AN](#) [570416-000](#) [CLTEQ-M81CE-SSRELAY-4-20V](#) [4-1195131-0](#) [650069-000](#) [SMD100-2](#) [358838-000](#) [CB-1022B-78](#)
[RM707012](#) [RP410012](#) [MMS42](#) [1-640426-8](#) [2EDL4CM](#) [DTS20W19-11PD-3028-LC](#) [RM202615](#) [NC6-P104-06](#) [MSPS103B](#) [DTS26F21-](#)
[41HE-LC](#) [DTS26F21-41AE](#) [DTS26F21-41PE-LC](#) [DTS26F21-11SE-3028-LC](#) [30DCB6](#) [1932144-1](#) [293545-4](#) [LVR125S](#) [MS27466T25F4PB](#)
[CKB-38-78010](#) [TR04AI-TINELLOCKRING](#) [1206SFF150F/63-2](#) [D38999/20JB35HA](#) [TE1500A2R2J](#) [D38999/20WC8BB](#) [DTS24F19-11SC-](#)
[3028-LC](#) [D38999/24WG11HA](#) [D38999/24WG11HN](#) [MS27467T21F11H](#) [DJT16E21-11HA](#) [MS27467T21F35J](#) [MS27467T21F11J](#)
[MS27467T21F16H-LC](#) [MS27467T21F35H](#) [MS27467T21F41H-LC](#) [1206SFH150F/24-2](#) [RP330024](#) [DJT16E21-11PA-LC](#) [DJT16E21-11HA-](#)
[LC](#) [DJT16E21-11AA](#) [MS27467T21B11JA](#) [DJT16E21-11JA](#) [MS27467T21B11JA-LC](#)