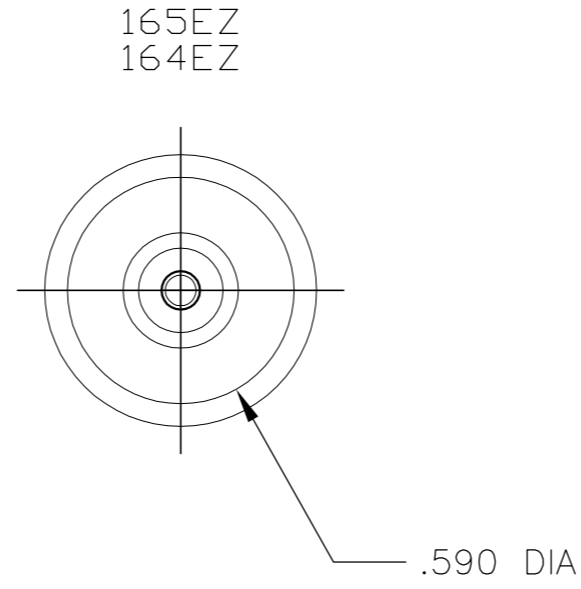
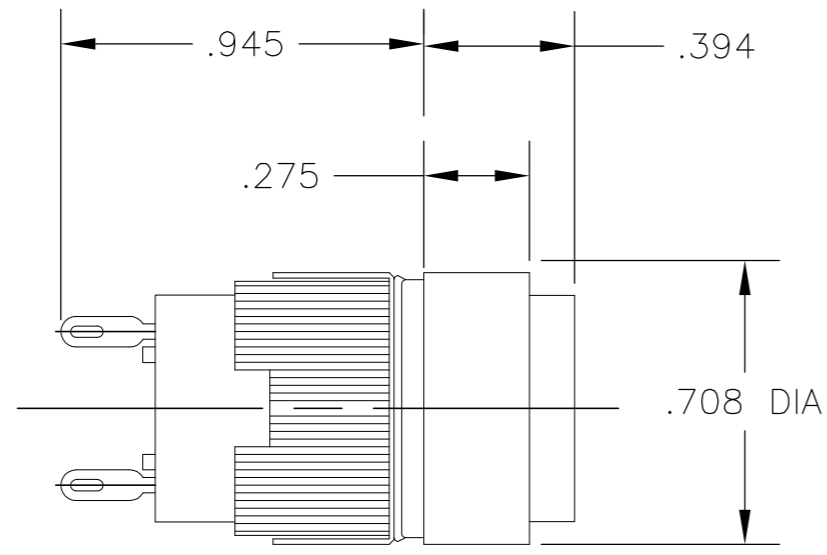
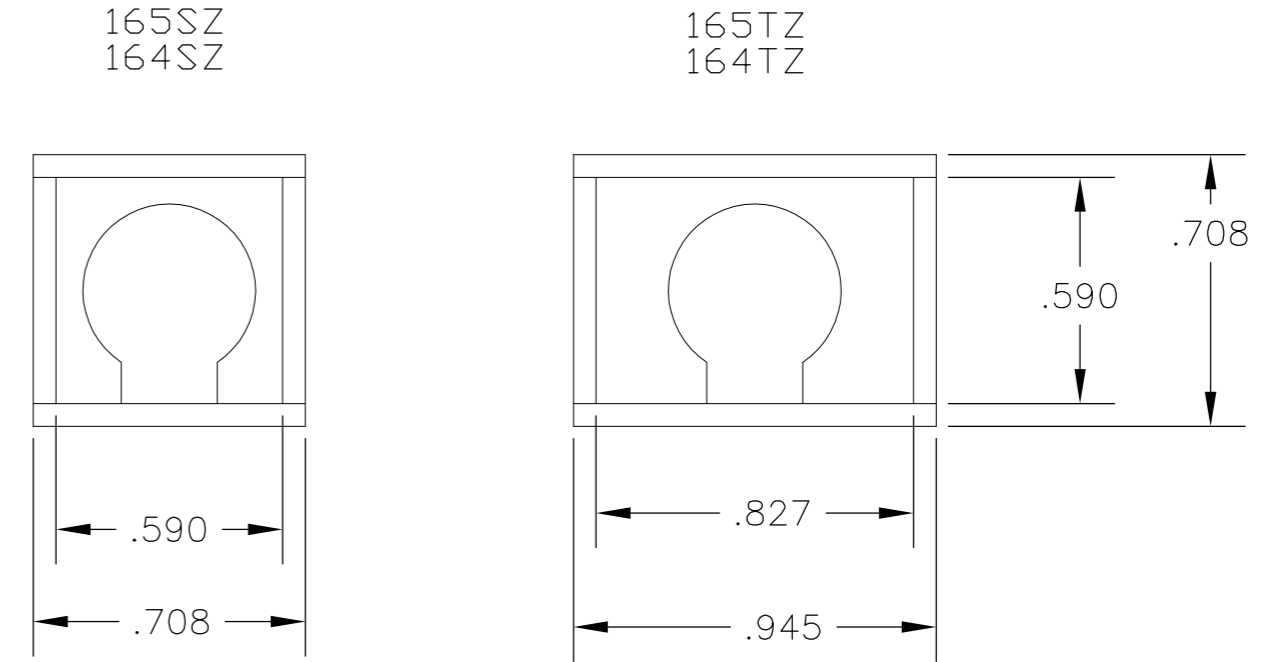


THIS DRAWING IS UNPUBLISHED. RELEASED FOR PUBLICATION
 © COPYRIGHT - By - ALL RIGHTS RESERVED.

LOC	DIST	REVISIONS					
AD	00	P	LTR	DESCRIPTION	DATE	DWN	APVD
		B1		REVISED PER ECO-11-005027	11MAR11	RK	HMR



SIDE VIEW
 (SEE NOTE 3)



SPECIFICATIONS:

- LAMP DISSIPATION: 1.2W MAX.
- INSULATION RESISTANCE: 100 MEGOHMS MIN.
- DIELECTRIC STRENGTH: 2000 VAC.
- OPERATING TEMPERATURE: -20°C TO +50°C
 (-4°F TO +122°F).

NOTES:

- LAMP IS T 3/4 MIDGET FLANGE BASE TYPE (LAMP NOT SUPPLIED).
- 164 IS NON-DILTIGHT SERIES, 165 IS DILTIGHT SERIES.
- VIEWS INCLUDE PLASTIC SHROUDS FOR AVAILABLE LENS SETS, (NOT SUPPLIED).

- 4 THE PLATINGS CONTAINED IN THIS PART SHALL CONTAIN NO LEAD.
- 5 PRELIMINARY PART, NOT RELEASED FOR PRODUCTION.

1571542-4	165TZ	4 5
1571542-3	164TZ	
1571542-2	164SZ	
1571542-1	164EZ	
5-1437569-9	165TZ	
5-1437569-3	165SZ	
4-1437569-6	165EZ	
4-1437569-1	164TZ	
3-1437569-2	164SZ	
1437569-8	164EZ	
PART No.	MODEL NUMBER	COMMENTS

REF AUGAT 81091

THIS DRAWING IS A CONTROLLED DOCUMENT.		DWN S KIRCORIAN 5-18-94	STE TE Connectivity		
DIMENSIONS: INCHES		CHK W THIA 5-19-94			
TOLERANCES UNLESS OTHERWISE SPECIFIED:		APVD W THIA 5-19-94	NAME PILOT LIGHT 164/165 Z		
0 PLC ± -		PRODUCT SPEC	SIZE A2		
1 PLC ± -		APPLICATION SPEC	CAGE CODE 00779		
2 PLC ± -			DRAWING NO 2-1437569-4		
3 PLC ± .010			RESTRICTED TO		
4 PLC ± -			SCALE NTS		
ANGLES ± -			SHEET 1 of 1		
FINISH		WEIGHT -	REV B1		
MATERIAL -		CUSTOMER DRAWING			

X-ON Electronics

Largest Supplier of Electrical and Electronic Components

Click to view similar products for [Industrial Panel Mount Indicators / Switch Indicators](#) category:

Click to view products by [TE Connectivity](#) manufacturer:

Other Similar products are found below :

[LW1A-P1-GD](#) [LW1A-P1-W](#) [01-931.3](#) [01-152.025](#) [73.362.4028.0](#) [750-1520](#) [9001OA120](#) [A0142N5](#) [A3DT-500Y](#) [AL6M-LK3-R](#) [AL6M-P7P-A](#) [AOLQW-2B0600](#) [AP1M255-A](#) [APD106LN-G](#) [APD106LN-S](#) [APN1126-G](#) [APS122DN-W](#) [ASLWLD-G](#) [ASLWLD-R](#) [ATN2100](#) [AYLW4L-A](#) [18-237.035](#) [18-945](#) [HW1A-L1-GD](#) [HW1A-P2-GL](#) [HW1X-BM411-R](#) [HW2A-L1-GL](#) [HWAZ1N-OB](#) [PA2100/2](#) [PA2200/1](#) [PA2SHIELD](#) [PAMR25](#) [LA3P-1C03V-Y](#) [96-923.5](#) [A0244J2](#) [LSPD-120A](#) [LSPD-1Y](#) [LSPD-6A](#) [LSPD-6DA](#) [LSPD-6DW](#) [LSPD-6DY](#) [LSPD-6R](#) [LSPD-6W](#) [18-946](#) [AL6H-LK3-A](#) [AL6H-P4-JW](#) [AL6M-LK1-MG](#) [AP8M155-G](#) [APD106LN-W](#) [APN106L-O](#)