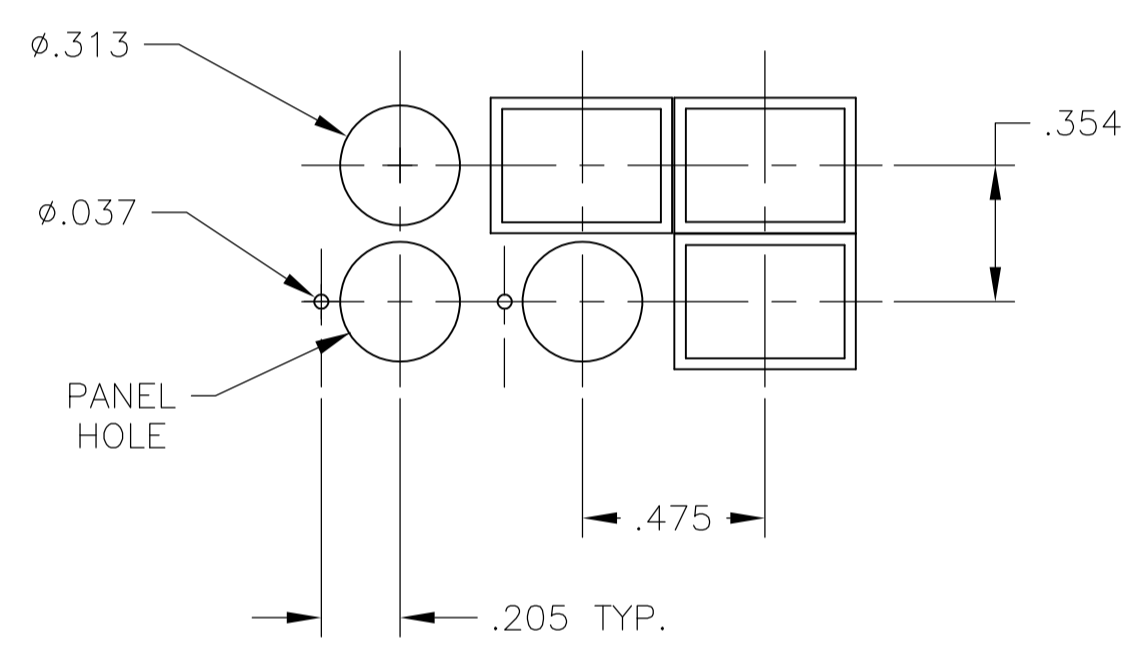


3 POSITION BEZEL ORIENTATION AS SHIPPED

2 POSITION BEZEL ORIENTATION AS SHIPPED



PANEL CUTOUT SCALE 1:1

SPECIFICATIONS:

CONTACT RATING: 0.4VA @ 20VDC OR PEAK AC.
 5 AMPS @ 250VAC OR 24VDC (RESISTIVE)
 INITIAL CONTACT RESISTANCE: 20 MILLIOHMS MAX
 INSULATION RESISTANCE: 100 MEGOHMS MIN
 DIELECTRIC STRENGTH: 1500 VOLTS RMS @ SEA LEVEL
 CONTACTS: GOLD PLATE OVER SILVER CLAD
 LIFE EXPECTANCY: 100,000 OPERATIONS AT RATED CURRENT
 OPERATING TEMPERATURE RANGE: -20°C TO +50°C
 PANEL THICKNESS: NON-OILTIGHT, .230 MAX
 OILTIGHT, .210 MAX
 UL RECOGNIZED E-51302

OILTIGHT MODELS MEET NEMA 1, 12, 13 REQUIREMENTS

BEZEL MAY BE ROTATED IN 45° INCREMENTS BY PULLING STRAIGHT BACK INTO THREADED SECTION, ROTATING, AND PUSHING BACK INTO POSITION

| DIRECTION | 3 POSITION (MAINTAINED & MOMENTARY) | | | | | |
|-----------|-------------------------------------|-------------|-------------|-------------|-------------|-------------|
| | UPPER | | LOWER | | LOWER | |
| ← | 1 2 3° 4 | 1 2 3° 4 | 1 2 3° 4 | 1 2 3° 4 | 1 2 3° 4 | 1 2 3° 4 |
| ↑ | 1 2 3° 4 | 1 2 3° 4 | 1 2 3° 4 | 1 2 3° 4 | 1 2 3° 4 | 1 2 3° 4 |
| → | 1 2 3° 4 | 1 2 3° 4 | 1 2 3° 4 | 1 2 3° 4 | 1 2 3° 4 | 1 2 3° 4 |

| DIRECTION | 2 POSITION (MAINTAINED & MOMENTARY) | | | | | |
|-----------|-------------------------------------|-------------|-------------|-------------|-------------|-------------|
| | UPPER | UPPER | LOWER | UPPER | CENTER | LOWER |
| ↖ | 1 2 3° 4 | 1 2 3° 4 | 1 2 3° 4 | 1 2 3° 4 | 1 2 3° 4 | 1 2 3° 4 |
| ↗ | 1 2 3° 4 | 1 2 3° 4 | 1 2 3° 4 | 1 2 3° 4 | 1 2 3° 4 | 1 2 3° 4 |

| ACTION | CONTACTS | OILTIGHT | NON-OILTIGHT | OILTIGHT | NON-OILTIGHT |
|-------------|---|---------------|--------------|----------|--------------|
| OBSOLETE | 3 POSN MOMENTARY (RIGHT), KEY PULL (LEFT) | 2 N.O. & N.C. | 165J7A22 | 164J7A22 | - |
| | 3 POSN MAINTAINED, KEY PULL (CENTER) | 3 N.O. & N.C. | 165J3E33 | 164J3E33 | - |
| | 3 POSN MAINTAINED, KEY PULL (CENTER) | 2 N.O. & N.C. | 165J3E22 | 164J3E22 | - |
| | 3 POSN MAINTAINED, KEY PULL (RIGHT) | 2 N.O. & N.C. | - | 164J3D22 | 1-1437569-7 |
| | 3 POSN MAINTAINED, KEY PULL (ALL) | 3 N.O. & N.C. | 165J3C33 | 164J3C33 | 1977932-1 |
| | 3 POSN MAINTAINED, KEY PULL (ALL) | 2 N.O. & N.C. | 165J3C22 | 164J3C22 | 1-1437569-6 |
| | 3 POSN MAINTAINED, KEY PULL (LEFT) | 3 N.O. & N.C. | 165J3A33 | 164J3A33 | 1-1437569-5 |
| | 3 POSN MAINTAINED, KEY PULL (LEFT) | 2 N.O. & N.C. | 165J3A22 | 164J3A22 | - |
| | 2 POSN MAINTAINED, KEY PULL (BOTH) | 3 N.O. & N.C. | 165J2B33 | 164J2B33 | - |
| | 2 POSN MAINTAINED, KEY PULL (BOTH) | 2 N.O. & N.C. | 165J2B22 | 164J2B22 | 1-1437569-4 |
| | 2 POSN MAINTAINED, KEY PULL (BOTH) | 1 N.O. & N.C. | 165J2B11 | 164J2B11 | 1571637-1 |
| | 2 POSN MAINTAINED, KEY PULL (LEFT) | 3 N.O. & N.C. | 165J2A33 | 164J2A33 | - |
| | 2 POSN MAINTAINED, KEY PULL (LEFT) | 2 N.O. & N.C. | 165J2A22 | 164J2A22 | 1-1437569-2 |
| | 2 POSN MAINTAINED, KEY PULL (LEFT) | 1 N.O. & N.C. | 165J2A11 | 164J2A11 | 4-1437569-7 |
| PRELIMINARY | 2 POSN MAINTAINED, KEY PULL (LEFT) | - | - | 164J2A | 147519-1 |
| | 2 POSN MOMENTARY (RIGHT), KEY PULL (LEFT) | 3 N.O. & N.C. | - | 164J0A33 | - |
| | 2 POSN MOMENTARY (RIGHT), KEY PULL (LEFT) | 2 N.O. & N.C. | - | 164J0A22 | 1-1437569-0 |
| | 2 POSN MOMENTARY (RIGHT), KEY PULL (LEFT) | 1 N.O. & N.C. | - | 164J0A11 | 1437569-9 |
| PRELIMINARY | 2 POSN MOMENTARY (RIGHT), KEY PULL (LEFT) | - | - | 164J0A | 147518-1 |

THIS DRAWING IS A CONTROLLED DOCUMENT.

| | | | |
|--------------------|--|----------------------|---------------------------|
| DIMENSIONS: INCHES | TOLERANCES UNLESS OTHERWISE SPECIFIED: | DIN R BROWN 230CT03 | APVD M ZITTO 230CT03 |
| 0 PLC ± - | 1 PLC ± - | 2 PLC ± - | 3 PLC ± .010 |
| 4 PLC ± - | ANGLES ± 1' | APVD M ZITTO 230CT03 | NAME |
| MATERIAL | FINISH | WEIGHT | SIZE CASE CODE DRAWING NO |
| | | | A1 00779 1437569-8 |
| CUSTOMER DRAWING | | SCALE 2:1 | SHEET 1 OF 1 REV B3 |

STE TE Connectivity

164/165 J SERIES KEYLOCK SWITCH

X-ON Electronics

Largest Supplier of Electrical and Electronic Components

Click to view similar products for [Keylock Switches](#) category:

Click to view products by [TE Connectivity](#) manufacturer:

Other Similar products are found below :

[89496-09](#) [89638-00](#) [58J9A90-01C02N](#) [719-0022-020](#) [719-0122-000](#) [719-0201-000](#) [719-0202-000](#) [719-0702-000](#) [84800-04](#) [88521-00](#)
[GKNC33L](#) [GKNC3L](#) [PVA2OAH5](#) [14-136.025K](#) [14-235.022K](#) [AS6H-2K2A](#) [AS6M-2K1B](#) [1571487-1](#) [HW4K-2BF20](#) [JD7510H](#)
[K6SLYE1.55NL327SD](#) [KH3C-20C](#) [89638-05](#) [A028301](#) [A165K-J2AL-2](#) [A165K-J2M-2](#) [A165K-J3AMR](#) [A165K-J3M](#) [205389 \(PAYGUARD](#)
[BUTTON PAD\)](#) [2SWK131AL102](#) [30PA39-AML](#) [LW6MJ-2C64WWB](#) [AS6M-2K1A](#) [51-401.036D](#) [51-401.036K](#) [51-414.036D](#) [HW1K-](#)
[3HF20](#) [4370039](#) [Y1112-2027CLFT](#) [4B01H322NCFQ](#) [51-155.025D](#) [51-195.025D](#) [51-378.AD](#) [51-404.036D](#) [51-405.036D](#) [51-415.036D](#) [1-](#)
[1437597-8](#) [86945-05](#) [88169-05](#) [719-0204-000](#)