

THIS DRAWING IS UNPUBLISHED. RELEASED FOR PUBLICATION  
 © COPYRIGHT BY TYCO ELECTRONICS CORPORATION. ALL INTERNATIONAL RIGHTS RESERVED.

LOC		DIST		REVISIONS					
AD		00		P	LTR	DESCRIPTION	DATE	DWN	APVD
				A1		REVISED PER ECO-10-000290	07JAN11	HMR	MW

SPECIFICATIONS:

**MATERIALS:**  
 MOVING CONTACT: COPPER ALLOY, GOLD PLATE OVER SILVER CLAD.  
 FIXED CONTACT: COPPER ALLOY, GOLD PLATE OVER SILVER CLAD.

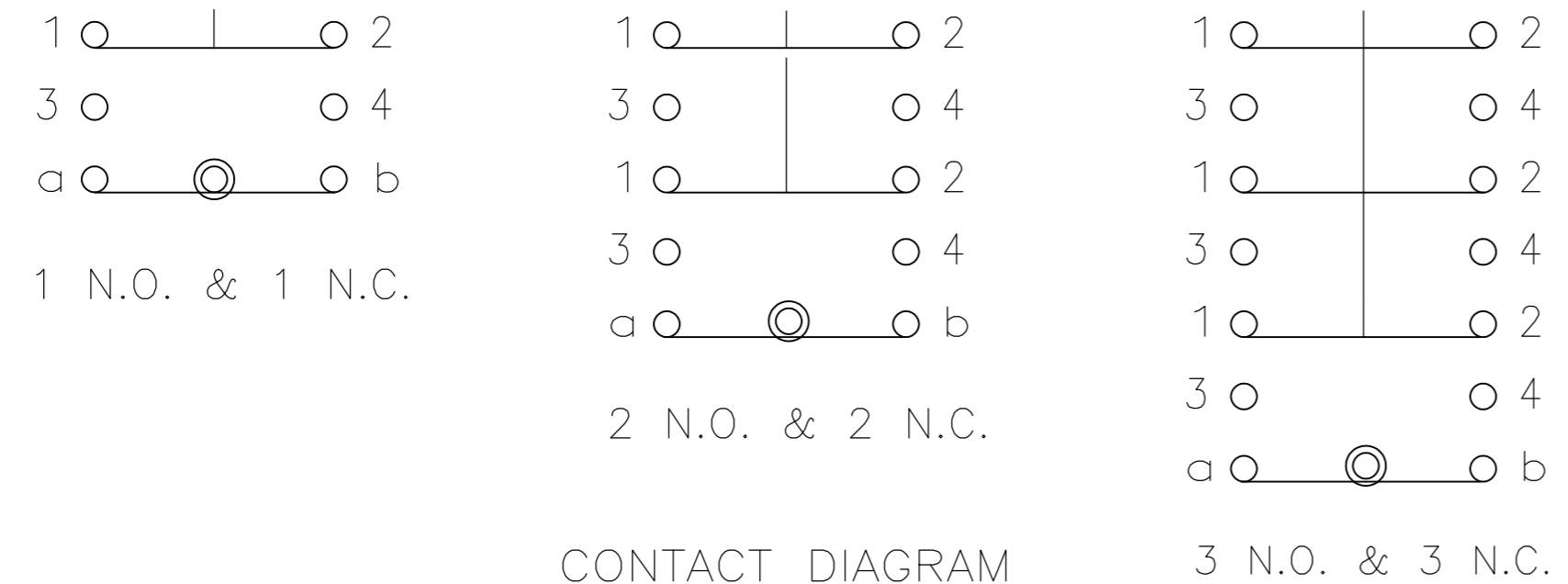
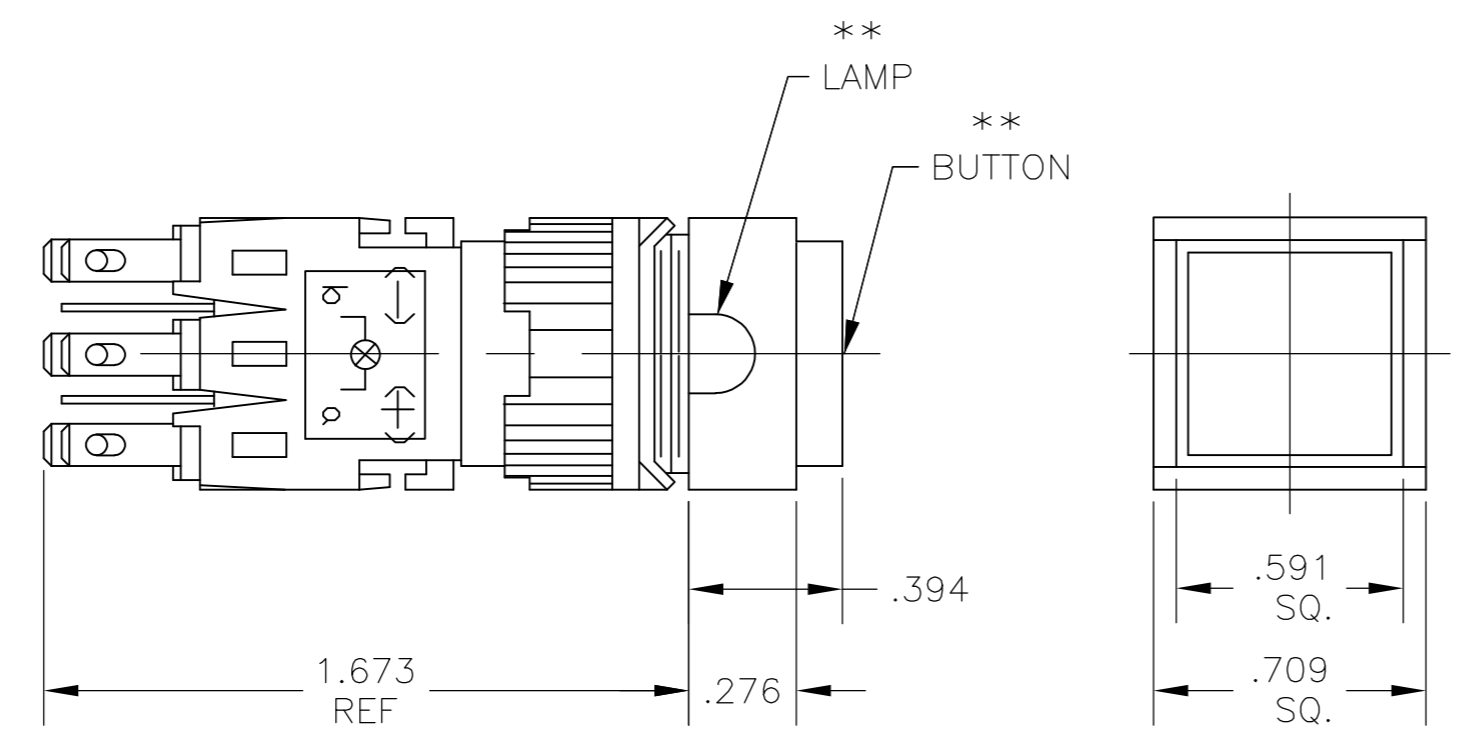
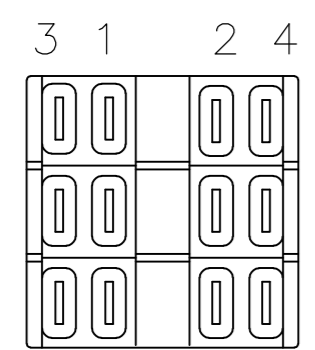
**ELECTRICAL:**  
 CONTACT RATING: 0.4VA @ 20VDC OR PEAK AC.  
 5 AMPS @ 250VAC OR 24VDC ( RESISTIVE ).  
 INITIAL CONTACT RESISTANCE: 20 MILLIOHMS MAX.  
 INSULATION RESISTANCE: 100 MEGOHMS MINIMUM.  
 DIELECTRIC STRENGTH: 1500 VOLTS RMS @ SEA LEVEL.  
 LIFE EXPECTANCY: 100,000 CYCLES.

**ENVIRONMENTAL:**  
 OPERATING TEMPERATURE: -4°F TO +122°F (-20°C TO +50°C)  
 STORAGE TEMPERATURE: -4°F TO +122°F (-20°C TO +50°C)

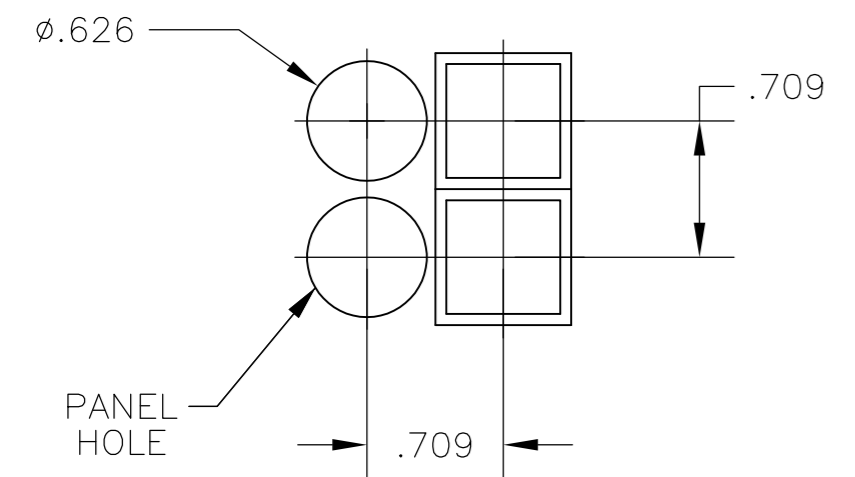
- INTERPRET DRAWING PER ASME Y14.5M-1994.
- OILTIGHT MODELS MEET NEMA 1, 12, 13 REQUIREMENTS.
- UL RECOGNIZED E-51302.
- PANEL THICKNESS: NON-OILTIGHT = 0.230 MAX.  
OILTIGHT = 0.210 MAX.

- 5 THE PLATINGS CONTAINED IN THIS PART SHALL CONTAIN NO LEAD.
- 6 PRELIMINARY PART, NOT RELEASED FOR PRODUCTION.

\*\* ORDER BUTTON AND LAMP SEPARATELY: SEE DWG NO'S 80810 & 80811



CONTACT DIAGRAM  
 (BUTTON NOT DEPRESSED)



PANEL CUTOUT  
 SCALE: 1/1  
 TOLERANCE +/- .002

1571544-5	165SL533		5	6	3 N.O. & N.C.	PUSH ON/PUSH OFF
1571544-4	164SL522		5	6	2 N.O. & N.C.	PUSH ON/PUSH OFF
1571544-3	164SL511		5	6	1 N.O. & N.C.	PUSH ON/PUSH OFF
1571544-2	164SL22		5	6	2 N.O. & N.C.	MOMENTARY
1571544-1	164SL11		5	6	1 N.O. & N.C.	MOMENTARY
		165SL533			3 N.O. & N.C.	PUSH ON/PUSH OFF
5-1437569-2		165SL522			2 N.O. & N.C.	PUSH ON/PUSH OFF
5-1437569-1		165SL511			1 N.O. & N.C.	PUSH ON/PUSH OFF
		165SL33			3 N.O. & N.C.	MOMENTARY
5-1437569-0		165SL22			2 N.O. & N.C.	MOMENTARY
4-1437569-9		165SL11			1 N.O. & N.C.	MOMENTARY
3-1437569-1	164SL533				3 N.O. & N.C.	PUSH ON/PUSH OFF
3-1437569-0	164SL522				2 N.O. & N.C.	PUSH ON/PUSH OFF
2-1437569-9	164SL511				1 N.O. & N.C.	PUSH ON/PUSH OFF
2-1437569-8	164SL5				-	PUSH ON/PUSH OFF
2-1437569-7	164SL33				3 N.O. & N.C.	MOMENTARY
2-1437569-6	164SL22				2 N.O. & N.C.	MOMENTARY
2-1437569-5	164SL11				1 N.O. & N.C.	MOMENTARY
2-1437569-4	164SL				-	MOMENTARY

TE PART No.	MODEL NON OILTIGHT	MODEL OILTIGHT	COMMENTS	CONTACTS	ACTION
-------------	--------------------	----------------	----------	----------	--------

THIS DRAWING IS A CONTROLLED DOCUMENT.

DWN LM	3-21-89	Tyco Electronics Corporation Harrisburg, PA 17105-3608
CHK CF	3-22-89	
APVD TH	3-21-89	
PRODUCT SPEC		
DIMENSIONS: INCHES TOLERANCES UNLESS OTHERWISE SPECIFIED: 0 PLC ± - 1 PLC ± - 2 PLC ± - 3 PLC ± .010 4 PLC ± - ANGLES ± - FINISH		NAME: 164/165 SL DERIES ILLUMINATED PUSHBUTTON SIZE: A2 CAGE CODE: 00779 DRAWING NO: 2-1437569-9 RESTRICTED TO: - WEIGHT: - CUSTOMER DRAWING SCALE: 1:1 SHEET: 1 OF 1 REV: A1

REF AUGAT 80864

## X-ON Electronics

Largest Supplier of Electrical and Electronic Components

*Click to view similar products for [Pushbutton Switches](#) category:*

*Click to view products by [TE Connectivity](#) manufacturer:*

Other Similar products are found below :

[8940K2012](#) [LW1L-M1C10V-A](#) [LW1L-M1C70-A](#) [LW2L-A1C20M-GD](#) [LW2L-M1C20M-A](#) [60324L](#) [M22-D-R-GB0/K11](#) [M7E-HRN2](#)  
[67021K512](#) [67081K512X](#) [701PB580](#) [7199K101](#) [810K12910](#) [810KSV30B](#) [MML21EA2ADK](#) [MML21KA3ABK](#) [MML23KA3AC05K-001](#)  
[MML23KW3AA01W](#) [8418K2](#) [8442K3](#) [8450K1](#) [860K11911T01A](#) [861901](#) [861K11911T01A07](#) [861K13810T00A14](#) [861K13911](#)  
[8646AB6X718UL](#) [8646ABUL](#) [9001KXRK](#) [907AYY100](#) [PMHD155A1](#) [9533CD4+U574+U4922](#) [95-414.000](#) [99-450.837](#) [99-453.837](#)  
[PV3H2B0NN-341](#) [1203MRA](#) [A22NZBGANGA](#) [A22NZBNANGA](#) [A22NZMPATRA](#) [A2PMA1X03EC56](#) [A3A-5123-02](#) [A3A-7140](#) [A3A-7310](#) [A3A-7340](#) [A3U-TMW-A2C-5M](#) [A595](#) [12037A2ULCSA](#) [ABD122N-B](#) [1211390004](#)