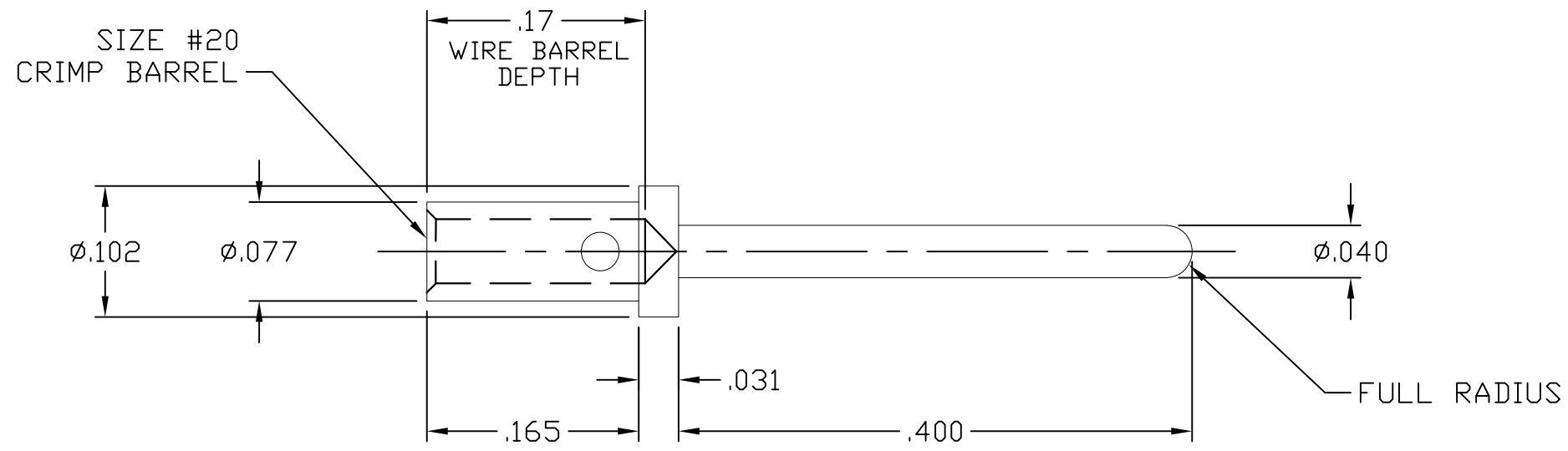


THIS DRAWING IS UNPUBLISHED. RELEASED FOR PUBLICATION  
 © COPYRIGHT BY TYCO ELECTRONICS CORPORATION. ALL INTERNATIONAL RIGHTS RESERVED.

LOC	DIST	REVISIONS					
GP	00	P	LTR	DESCRIPTION	DATE	DWN	APVD
			B	REV PER ECO-08-015320	23JUN08	RG	DO



- 6. FOR TERMINATION, USE FOLLOWING EQUIPMENT:  
 SHOWN FOR REFERENCE ONLY (USER SUPPLIED)  
 CRIMP TOOL: M22520/1-01  
 TURRET HEAD/LOCATOR: M22520/1-02
- 5 FINISH: GOLD PLATED, .000030 MIN THICK  
 OVER NICKEL PLATED, .000050 MIN THICK
- 4 FINISH: GOLD PLATED, .000010 MIN THICK  
 OVER NICKEL PLATED, .000050 MIN THICK
- 3. MATERIAL: BRASS ALLOY.
- 2. ITEMS PROVIDED TO THIS SPECIFICATION SHALL BE IDENTIFIED  
 ON THE CONTAINER WITH THE FOLLOWING INFORMATION:  
 PART NUMBER & DATE CODE OF MANUFACTURE.
- 1. PART NUMBER CHANGES AND OR DESIGN CHANGES AFFECTING ITEM  
 INTERCHANGEABILITY REQUIRE PRIOR TYCO ELECTRONICS APPROVAL  
 AND AUTHORIZATION BY REVISION TO THIS DRAWING.

5	1650162-3
4	1650162-2
DESCRIPTION	PART NUMBER

THIS DRAWING IS A CONTROLLED DOCUMENT.		DWN	04/10/06	Tyco Electronics Corporation	
DIMENSIONS: INCHES		CHK	-	Harrisburg, PA 17105-3608	
TOLERANCES UNLESS OTHERWISE SPECIFIED:		D. ORRIS	04/10/06	NAME	
0 PLC ± -		FLICKINGER		CONTACT, PIN, SIZE No.20	
1 PLC ± -		PRODUCT SPEC		CRIMP	
2 PLC ± .02		APPLICATION SPEC		POSTMATE, .27 PIN EXT.	
3 PLC ± .010		WEIGHT	-	SIZE	CAGE CODE
4 PLC ± -		CUSTOMER DRAWING		A3	00779
ANGLES ± .5		SCALE	8:1	DRAWING NO	C-1650162
MATERIAL	FINISH	SHEET	1 OF 1	RESTRICTED TO	-
-	-	REV	B		

## X-ON Electronics

Largest Supplier of Electrical and Electronic Components

*Click to view similar products for [Power to the Board](#) category:*

*Click to view products by [TE Connectivity](#) manufacturer:*

Other Similar products are found below :

[6450171-4](#) [6450552-7](#) [6600323-8](#) [6643429-1](#) [6646040-2](#) [6651939-1](#) [6766604-1](#) [120959-1](#) [1393557-2](#) [1393532-2](#) [1393532-3](#) [1393532-4](#)  
[1393557-1](#) [1600812-5](#) [1-6450861-2](#) [1744132-7](#) [1761122-1](#) [1766250-1](#) [1892109-1](#) [2-6450860-5](#) [2-6450870-0](#) [1-6450161-4](#) [1-6450850-6](#) [1-](#)  
[6450869-6](#) [1645526-2](#) [1-6600130-0](#) [2005243-2](#) [377-0020-11130](#) [TE34-12-16P-F0](#) [51700-10201602AALF](#) [5-6450830-6](#) [5646956-4](#) [377-](#)  
[0080-11131A](#) [4-6450830-9](#) [4-6600333-3](#) [10125416-4050LF](#) [10130248-005LF](#) [6600320-3](#) [3-6450860-5](#) [1888123-2](#) [6450166-1](#) [6643978-1](#)  
[6766605-1](#) [701-15-02109](#) [N11444](#) [6651938-1](#) [6450810-7](#) [46437-1112](#) [1-1589677-8](#) [5646956-5](#)