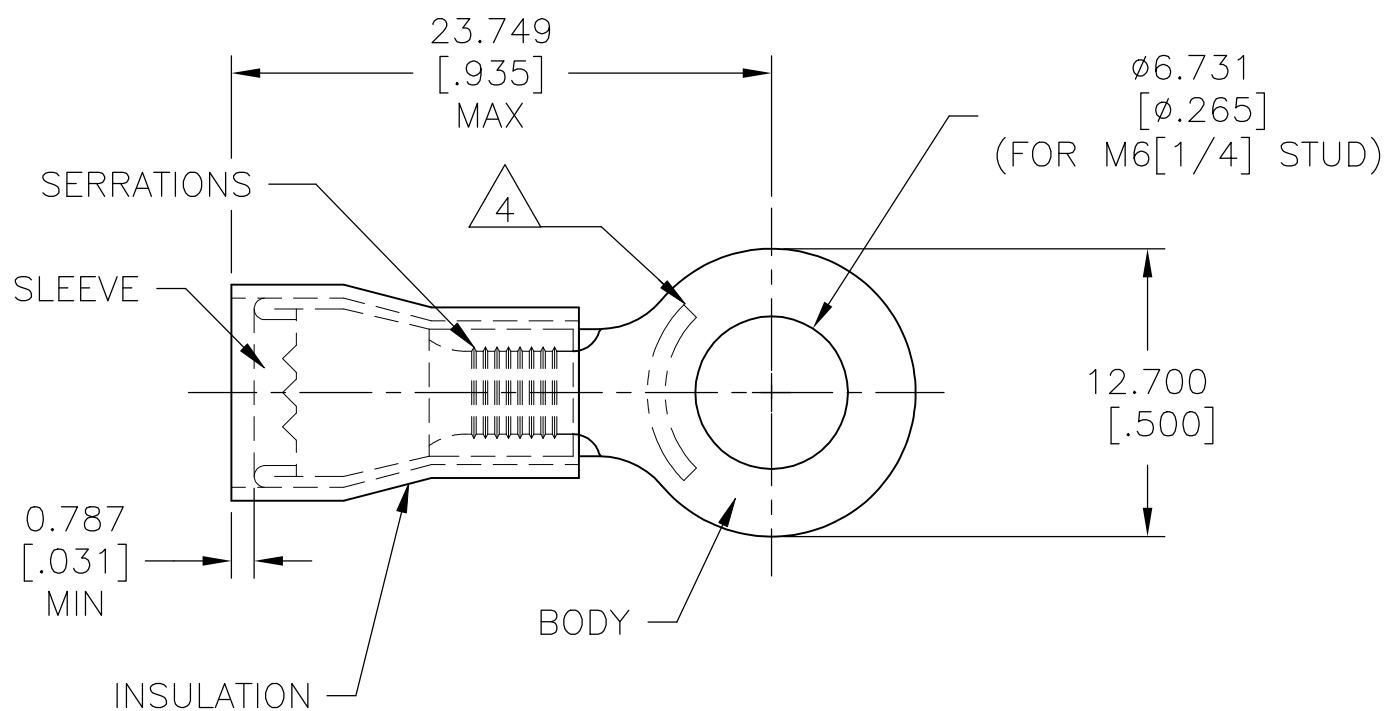
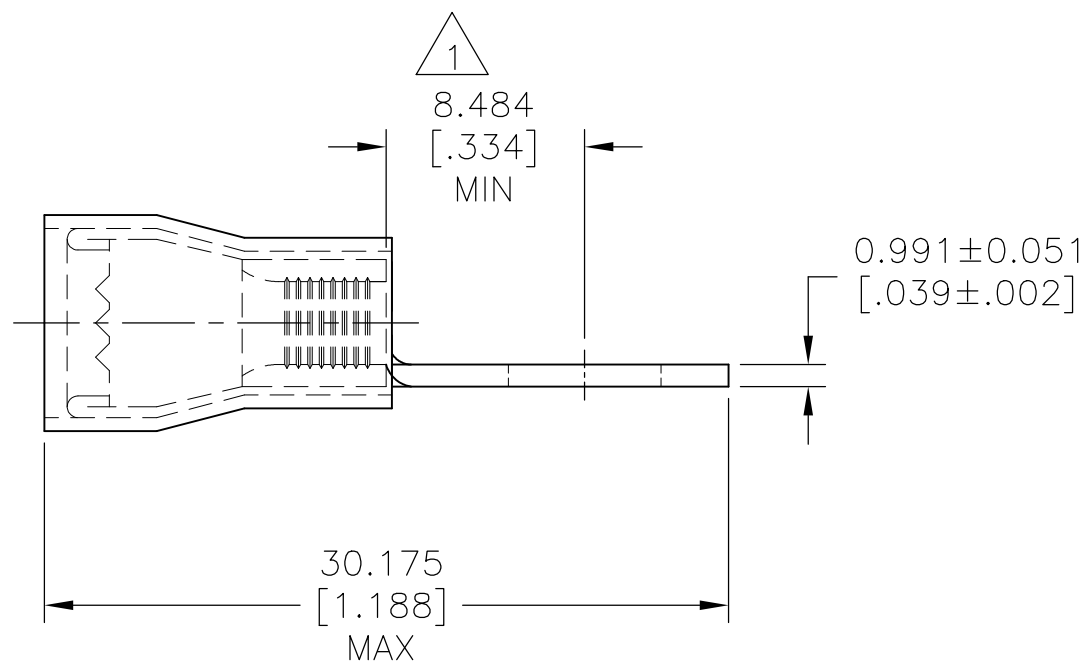


| P | LTR | DESCRIPTION               | DATE      | DWN | APVD |
|---|-----|---------------------------|-----------|-----|------|
|   | B1  | REVISED PER ECO-17-008114 | 07JUN2018 | RS  | DR   |



- 1 APPLIES FROM EDGE OF METAL WIRE BARREL TO CENTER OF STUD HOLE
- 2 MATERIAL:  
BODY & SLEEVE: COPPER PER ASTM B152  
INSULATION: NYLON
- 3 FINISH:  
BODY & SLEEVE: TIN PLATED PER ASTM B545  
INSULATION: COLOR - YELLOW
- 4 STAMP AMP 12-10\* APPROX AS SHOWN
- 5 FOR 3.810 TO 6.350 [.150 TO .250] INS. DIA



|     |              |         |
|-----|--------------|---------|
| 500 | LOOSE PIECE  | 165034  |
| QTY | PACKAGE TYPE | PART NO |

AMP INCORPORATED  
CUSTOMER SERVICE SYSTEMS

THIS DRAWING IS A CONTROLLED DOCUMENT.

DWN RAVI S 07JUN2018

CHK ROHDE DANIEL F 07JUN2018

APVD ROHDE DANIEL F 07JUN2018

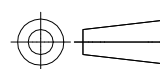


FOR ADDITIONAL PRODUCT INFORMATION OR COPIES OF DRAWINGS AND TECHNICAL DOCUMENTS  
PRODUCT INFORMATION CENTER  
1-800-522-6752

MAX RECOMMENDED OPERATING TEMPERATURE:  
105°C [221°F]

DIMENSIONS:  
mm [INCHES]

TOLERANCES UNLESS OTHERWISE SPECIFIED:



- 0 PLC ± -
- 1 PLC ± -
- 2 PLC ± -
- 3 PLC ± 0.127 [0.005]
- 4 PLC ± -
- ANGLES ± -

PRODUCT SPEC

UL 486 A-B

APPLICATION SPEC

114-2157

NAME  
TERMINAL, RING TONGUE, PIDG  
WIRE SIZE: 12-10 AWG

FOR APPLICATION TOOLING INFORMATION  
TOOLING ASSISTANCE CENTER  
1-800-722-1111

WIRE CROSS SECTIONAL AREA RANGE,  
2.62-6.64mm<sup>2</sup> [5,180-13,100] CIR MILS

MATERIAL



FINISH



WEIGHT

|      |           |            |               |
|------|-----------|------------|---------------|
| SIZE | CAGE CODE | DRAWING NO | RESTRICTED TO |
| A3   | 00779     | C-165034   | -             |

FOR ORDER ENTRY  
1-800-526-5142

CUSTOMER DRAWING

SCALE N.T.S SHEET 1 OF 1 REV B1

## X-ON Electronics

Largest Supplier of Electrical and Electronic Components

*Click to view similar products for [Terminals](#) category:*

*Click to view products by [TE Connectivity](#) manufacturer:*

Other Similar products are found below :

[00-054007-01074-6](#) [00-054007-70206-1](#) [00-054007-70210-8](#) [00-054007-70217-7](#) [00-054007-70226-9](#) [00-054007-70228-3](#) [00-054007-70248-1](#) [00-054007-70256-6](#) [00-054007-70301-3](#) [00-054007-70316-7](#) [0-0320562-0](#) [00-054007-49560-4](#) [00-054007-70209-2](#) [00-054007-70225-2](#) [00-054007-70227-6](#) [00-054007-70231-3](#) [00-054007-70241-2](#) [00-054007-70242-9](#) [00-054007-70244-3](#) [00-054007-70246-7](#) [00-054007-70263-4](#) [00-054007-70288-7](#) [00-054007-70290-0](#) [00-054007-70300-6](#) [00-054007-70304-4](#) [01-2065-1-0216](#) [01-2900-1-04412](#) [00581P0075](#) [600TS-10](#) [60205-1](#) [604200-1](#) [605601-1](#) [60598-1-CUT-TAPE](#) [61314-6-C](#) [61810-3](#) [61-S](#) [61-SN](#) [626-0194](#) [62-NBM-A](#) [62-SN](#) [62-SP](#) [63-S](#) [640179-1](#) [M55155/059I03](#) [M55155/079C01](#) [M55155/099H02](#) [M55155/109H01](#) [M55155/109H02](#) [M55155/12XH05](#) [M55155/16XH02](#)