

4

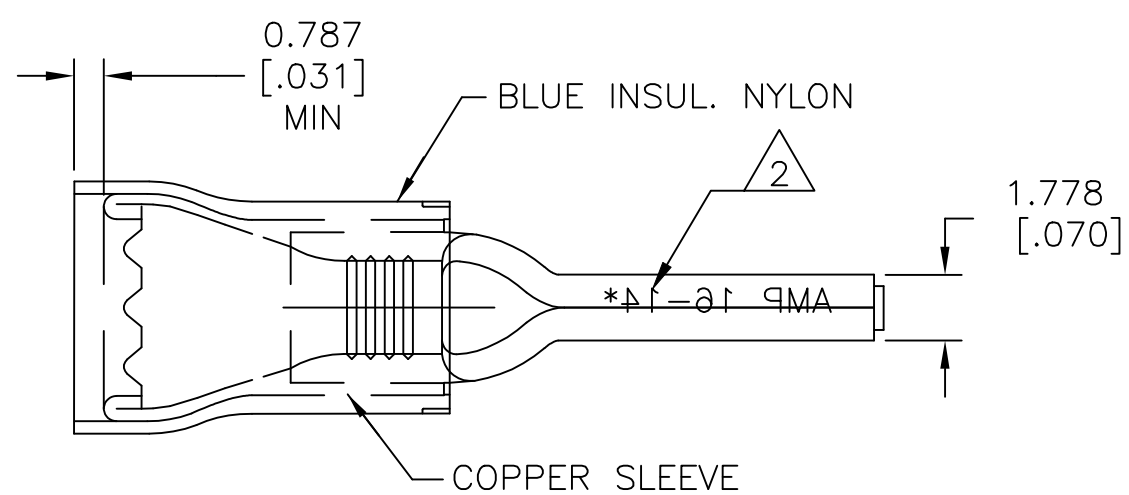
3

2

1

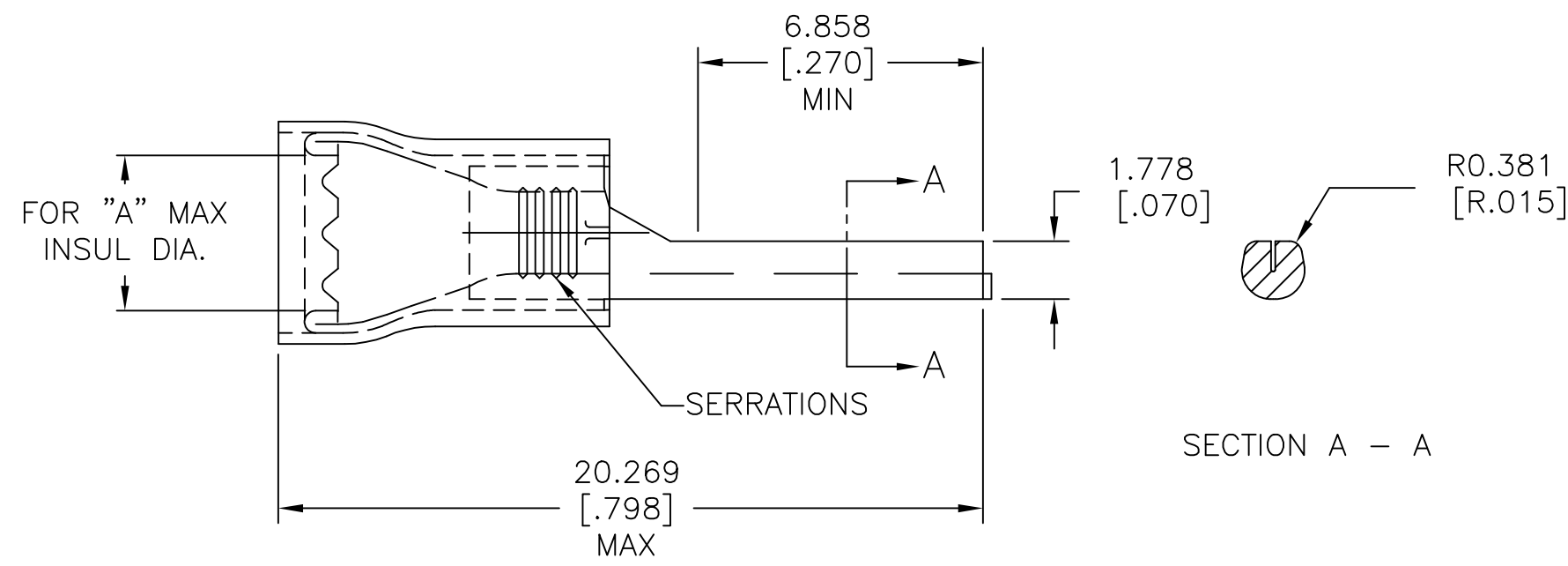
THIS DRAWING IS UNPUBLISHED. RELEASED FOR PUBLICATION
 © COPYRIGHT - By - ALL RIGHTS RESERVED.

REVISIONS					
P	LTR	DESCRIPTION	DATE	DWN	APVD
G1		REVISED PER ECO-14-003208	14MAR2014	NK	DR
G2		REVISED PER ECO-17-008114	05JUN2018	RS	DR



AMP WIRE RANGE	RA FILE E13288
1.0-2.6mm ² (16-14 AWG) STRANDED	16-14 AWG STRANDED

- 1 WIRE INSULATION DIA "A" MAX, SEE TABLE
- △ 2 STAMP AMP 16-14* APPROX AS SHOWN
- 3 MAX OPERATING TEMPERATURE 105°C [221°F]



1000	4.394 [.173]	TIN PLATED	COPPER	165046
PACKAGE QTY	DIM "A"	FINISH	MATERIAL	PART NO

THIS DRAWING IS A CONTROLLED DOCUMENT.		DWN JR RUTH 01JUN07	TE TE Connectivity Ltd.		
DIMENSIONS: mm [INCHES]		CHK T MICHIELUTTI 01JUN07			
TOLERANCES UNLESS OTHERWISE SPECIFIED:		APVD T MICHIELUTTI 01JUN07	NAME PIDG WIRE PIN 16-14 AWG		
0 PLC ± -		PRODUCT SPEC UL 486 A-B	SIZE A3		
1 PLC ± -		APPLICATION SPEC 114-2157	CAGE CODE 00779	DRAWING NO C=165046	RESTRICTED TO -
2 PLC ± -		WEIGHT -	SCALE 5:1		
3 PLC ± 0.127 [.005]		CUSTOMER DRAWING	SHEET 1 of 1		
4 PLC ± -			REV G2		
ANGLES ± -					
FINISH SEE TABLE					

X-ON Electronics

Largest Supplier of Electrical and Electronic Components

Click to view similar products for [Terminals](#) category:

Click to view products by [TE Connectivity](#) manufacturer:

Other Similar products are found below :

[HT-13-10](#) [71M-250-32-NB](#) [01-2065-1-0216](#) [00581P0075](#) [M10-10RX](#) [M10BCK](#) [60205-1](#) [604200-1](#) [60598-1-CUT-TAPE](#) [60617-1-C](#) [60873-1](#) [M14-516R/SK](#) [M14-6RSX](#) [M18-8FBX](#) [M18-8R/LX](#) [M18BCK](#) [61314-6-C](#) [61-S](#) [61-SN-A](#) [62-NBM-A](#) [63-S](#) [640179-1](#) [640917-2-CUT-TAPE](#) [6501550002](#) [66107-2-C](#) [696683-1](#) [696834-1](#) [696861-1](#) [696931-1](#) [696999-1](#) [M8-516RK](#) [M86700006](#) [MA250DMFMX-A](#) [701-2007](#) [701-2307](#) [701-7761-03](#) [70F-110-32-PB](#) [718-N-A](#) [71M-187-20-NBL](#) [71M-250-32-NBL](#) [72F-187-20-NBL](#) [72M-250-32-NBL](#) [7310](#) [73F-250-32](#) [73F-250-32-NL](#) [F14-10C](#) [F-1M](#) [751-250](#) [76650-5002](#) [76828-149](#)