

4

3

2

1

THIS DRAWING IS UNPUBLISHED.

RELEASED FOR PUBLICATION


ALL RIGHTS RESERVED.

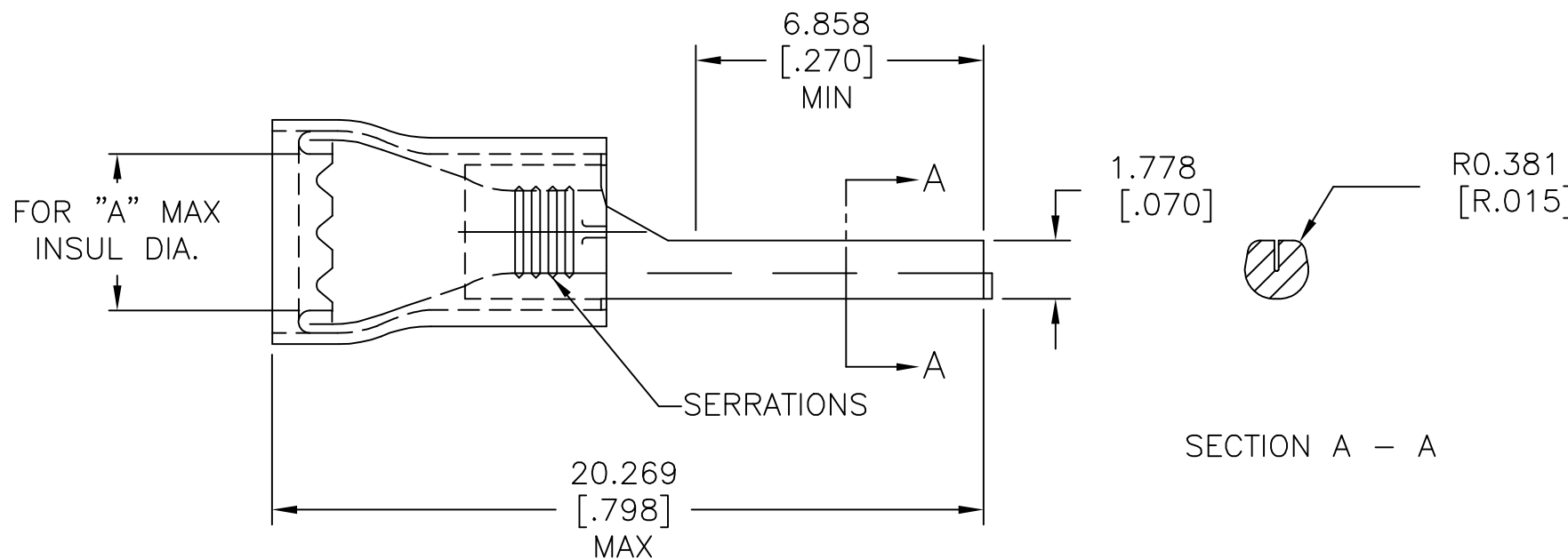
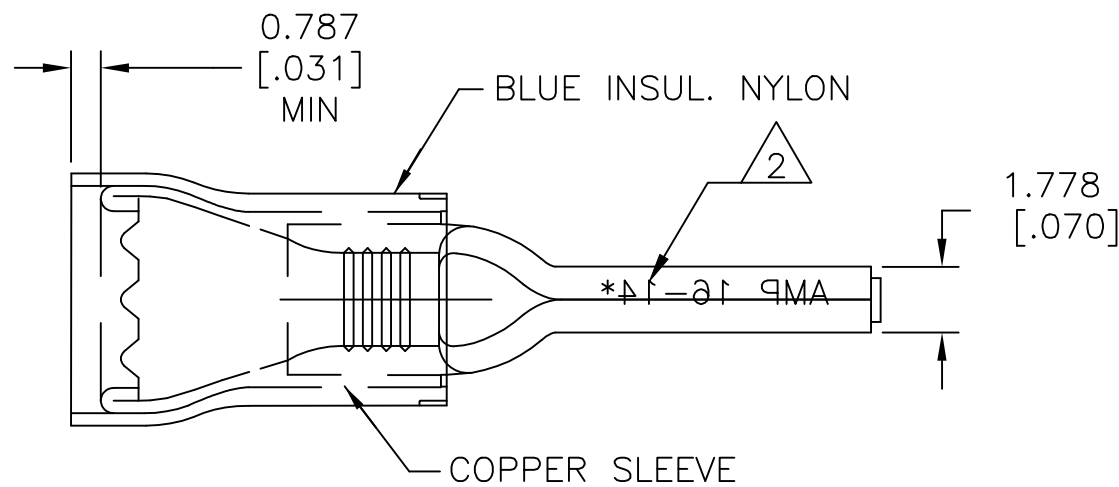
© COPYRIGHT - By -

REVISIONS

P	LTR	DESCRIPTION	DATE	DWN	APVD
G1		REVISED PER ECO-14-003208	14MAR2014	NK	DR
G2		REVISED PER ECO-17-008114	05JUN2018	RS	DR

<b>AMP</b> WIRE RANGE	<b>RA</b> FILE E13288
1.0-2.6mm <sup>2</sup> (16-14 AWG) STRANDED	16-14 AWG STRANDED

- 1 WIRE INSULATION DIA "A" MAX, SEE TABLE
- 2  STAMP AMP 16-14\* APPROX AS SHOWN
- 3 MAX OPERATING TEMPERATURE 105°C[221°F]



1000	4.394[.173]	TIN PLATED	COPPER	165046
PACKAGE QTY	DIM "A"	FINISH	MATERIAL	PART NO

THIS DRAWING IS A CONTROLLED DOCUMENT.		DWN JR RUTH 01JUN07	<b>TE</b> TE Connectivity Ltd.	
DIMENSIONS: mm [INCHES]		CHK T MICHIELUTTI 01JUN07		
TOLERANCES UNLESS OTHERWISE SPECIFIED:		APVD T MICHIELUTTI 01JUN07	NAME PIDG WIRE PIN 16-14 AWG	
0 PLC ± -		PRODUCT SPEC UL 486 A-B	SIZE A3	
1 PLC ± -		APPLICATION SPEC 114-2157	CAGE CODE 00779	DRAWING NO 165046
2 PLC ± -		WEIGHT -	RESTRICTED TO -	
3 PLC ± 0.127[.005]		CUSTOMER DRAWING	SCALE 5:1	SHEET 1 of 1
4 PLC ± -				REV G2
ANGLES ± -				
FINISH SEE TABLE				

## X-ON Electronics

Largest Supplier of Electrical and Electronic Components

*Click to view similar products for [Terminals](#) category:*

*Click to view products by [TE Connectivity](#) manufacturer:*

Other Similar products are found below :

[00-054007-01074-6](#) [00-054007-70206-1](#) [00-054007-70210-8](#) [00-054007-70217-7](#) [00-054007-70226-9](#) [00-054007-70228-3](#) [00-054007-70248-1](#) [00-054007-70256-6](#) [00-054007-70301-3](#) [00-054007-70316-7](#) [0-0320562-0](#) [00-054007-49560-4](#) [00-054007-70209-2](#) [00-054007-70225-2](#) [00-054007-70227-6](#) [00-054007-70231-3](#) [00-054007-70241-2](#) [00-054007-70242-9](#) [00-054007-70244-3](#) [00-054007-70246-7](#) [00-054007-70263-4](#) [00-054007-70288-7](#) [00-054007-70290-0](#) [00-054007-70300-6](#) [00-054007-70304-4](#) [01-2065-1-0216](#) [01-2900-1-04412](#) [00581P0075](#) [600TS-10](#) [60205-1](#) [604200-1](#) [605601-1](#) [60598-1-CUT-TAPE](#) [61314-6-C](#) [61810-3](#) [61-S](#) [61-SN](#) [626-0194](#) [62-NBM-A](#) [62-SN](#) [62-SP](#) [63-S](#) [640179-1](#) [M55155/059I03](#) [M55155/079C01](#) [M55155/099H02](#) [M55155/109H01](#) [M55155/109H02](#) [M55155/12XH05](#) [M55155/16XH02](#)