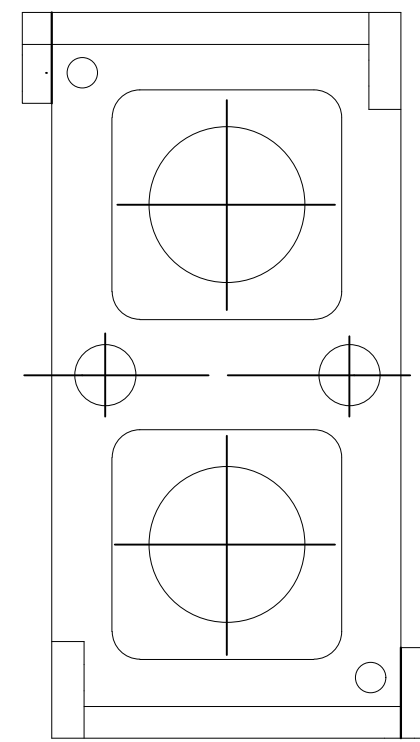
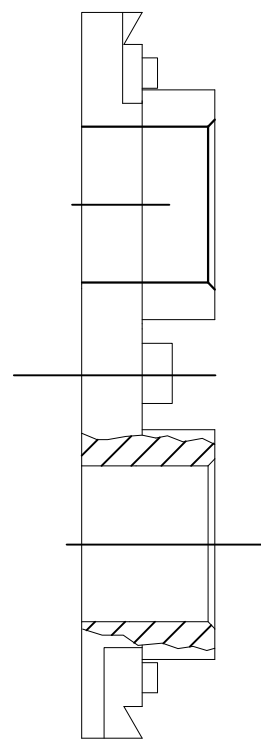
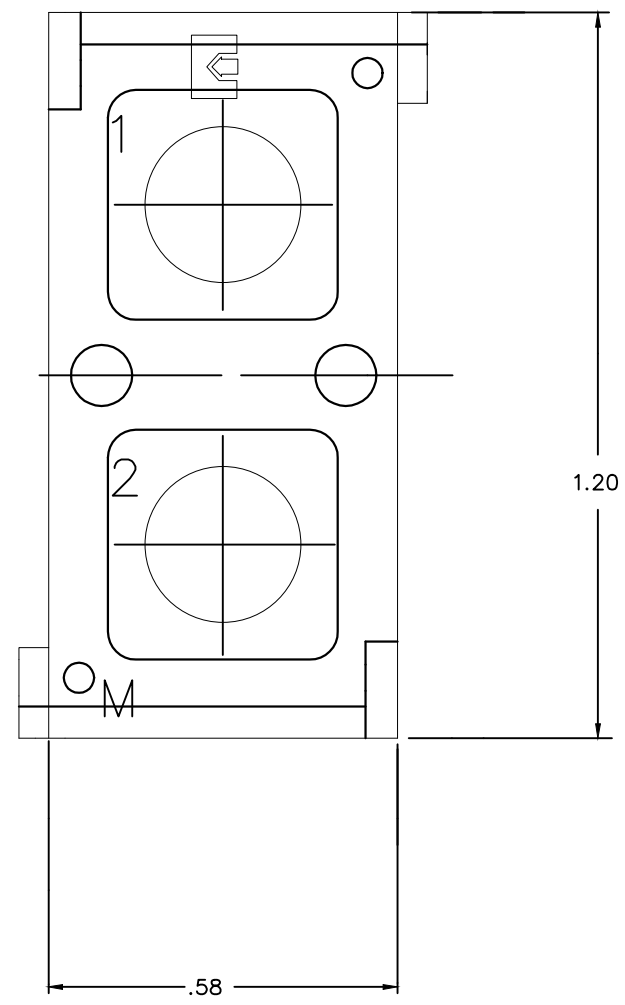


THIS DRAWING IS UNPUBLISHED. RELEASED FOR PUBLICATION
 © COPYRIGHT - TE Connectivity Ltd. ALL RIGHTS RESERVED.

REVISIONS				
P	LTR	DESCRIPTION	DATE	APVD
A		FIRST RELEASE	28AUG2019	OL SZ



- 2. HOUSING: THERMO PLASTIC: BLACK
- 1. PART NUMBER CHANGES AND/OR DESIGN CHANGES AFFECTING ITEM INTERCHANGABILITY REQUIRE PRIOR TE CONNECTIVITY APPROVAL AND AUTHORIZATION BY REVISION TO THIS DRAWING.

1650667-1 PART NUMBER

THIS DRAWING IS A CONTROLLED DOCUMENT.		DWN ORANDO LI 28AUG2019																								
DIMENSIONS: mm		CHK SUNY ZHAO 28AUG2019																								
TOLERANCES UNLESS OTHERWISE SPECIFIED:		APVD SUNY ZHAO 28AUG2019																								
<table border="1"> <tr><td>0</td><td>PLC</td><td>±</td><td>-</td></tr> <tr><td>1</td><td>PLC</td><td>±</td><td>-</td></tr> <tr><td>2</td><td>PLC</td><td>±</td><td>.02</td></tr> <tr><td>3</td><td>PLC</td><td>±</td><td>.01</td></tr> <tr><td>4</td><td>PLC</td><td>±</td><td>-</td></tr> <tr><td colspan="2">ANGLES</td><td>±</td><td>-</td></tr> </table>		0			PLC	±	-	1	PLC	±	-	2	PLC	±	.02	3	PLC	±	.01	4	PLC	±	-	ANGLES		±
0	PLC	±	-																							
1	PLC	±	-																							
2	PLC	±	.02																							
3	PLC	±	.01																							
4	PLC	±	-																							
ANGLES		±	-																							
MATERIAL	FINISH	WEIGHT 0.000000	NAME HOUSING,PIN,FRONT,M MODULE,DOMINO CONNECTOR	RESTRICTED TO																						
		CUSTOMER DRAWING	SIZE A2 CAGE CODE 00779 DRAWING NO C=1650667																							
			SCALE 1:1 SHEET 1 OF 1	REV A																						

X-ON Electronics

Largest Supplier of Electrical and Electronic Components

Click to view similar products for [Heavy Duty Power Connectors](#) category:

Click to view products by [TE Connectivity](#) manufacturer:

Other Similar products are found below :

[647757-1](#) [6643411-1](#) [6646058-2](#) [6646137-1](#) [6646138-1](#) [6646479-1](#) [6646608-1](#) [6646786-1](#) [6646940-1](#) [6651091-1](#) [6651525-1](#) [6651529-1](#)
[6651788-1](#) [696475-1](#) [702-32-01109](#) [703-25-02205](#) [73000005059](#) [73000005642](#) [73080255059](#) [73080965046](#) [765-15-0080A](#) [765-16-0080B](#)
[765-18-0080D](#) [829992-1](#) [902-77-02113](#) [PS00/A0620/6300](#) [PS25/A0420/63](#) [129-1J](#) [1409400](#) [AN0024023](#) [E6374G1](#) [e6389g2](#) [157-43GW8](#)
[MS3117-14AC](#) [1643543-1](#) [1650540-1](#) [1651811-2](#) [1766260-1](#) [1766282-1](#) [1766966-1](#) [1791340000](#) [NLDFT-3-BL-L-S120-M40A](#) [NLDFT-N-](#)
[W-L-C240-M40B](#) [NLS-2-R-C240-M40B](#) [NLS-N-W-C240-M40B](#) [NPS-3-BL-T6](#) [1986615-1](#) [2-1589900-8](#) [2199314-1](#) [KA8102](#)