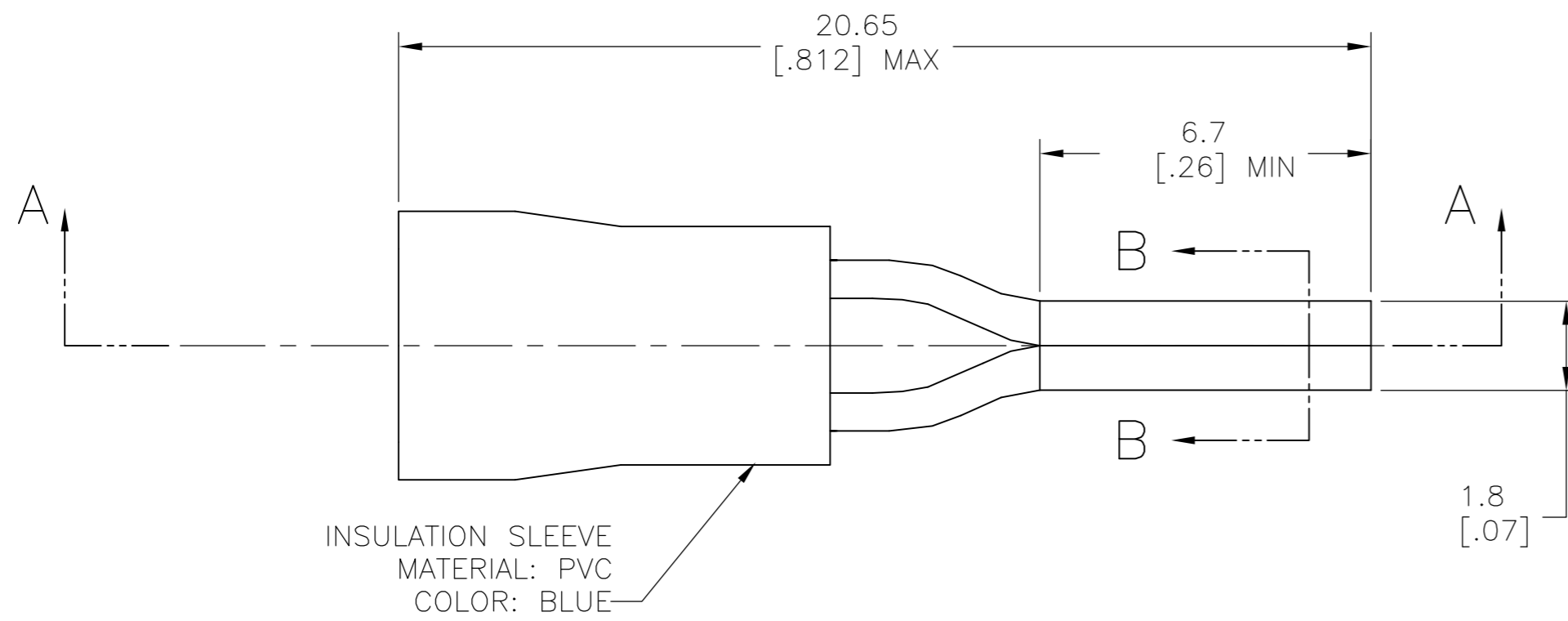


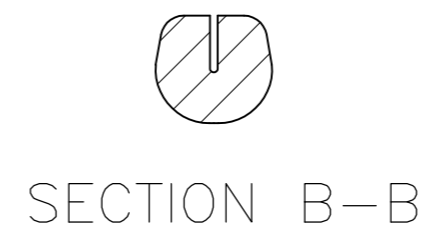
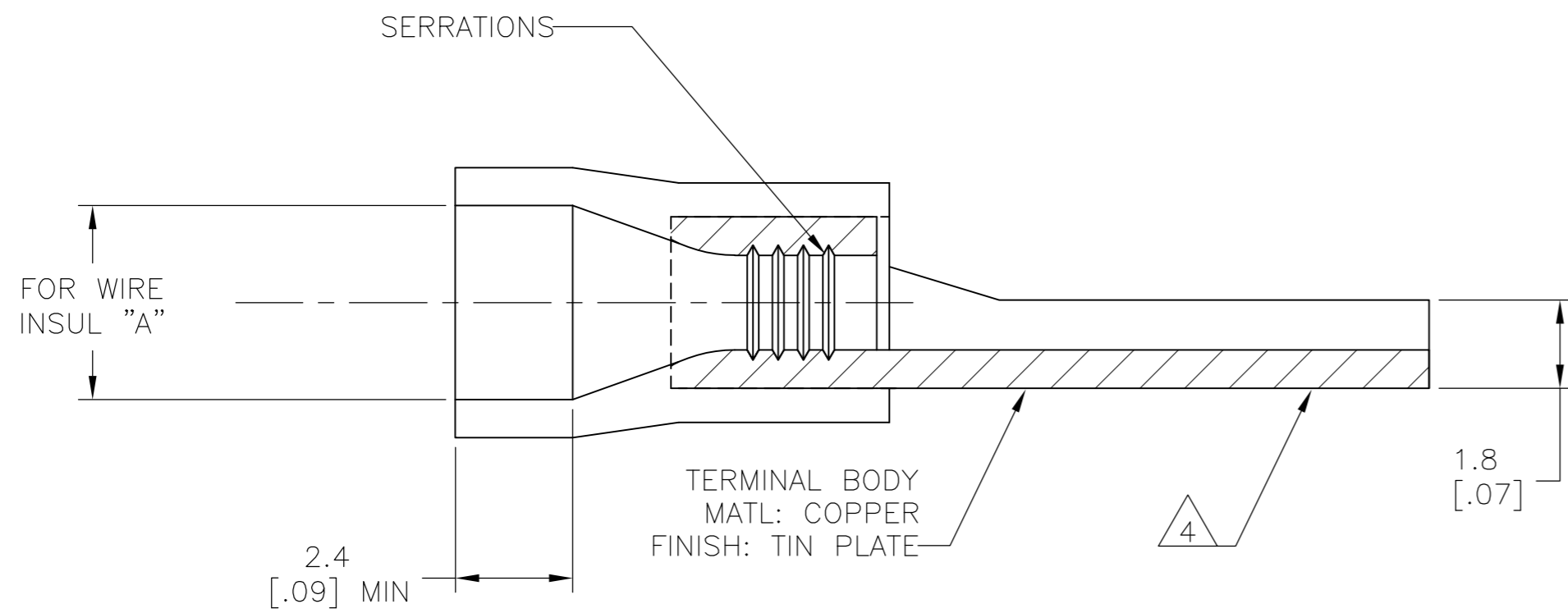
THIS DRAWING IS UNPUBLISHED. RELEASED FOR PUBLICATION
 © COPYRIGHT - By - ALL RIGHTS RESERVED.

LOC	DIST	REVISIONS					
		P	LTR	DESCRIPTION	DATE	DWN	APVD
G	14		K2	REVISED PER ECO-14-003208	13MAR2014	NK	DR



- 1 PRELIMINARY - NOT FOR PRODUCTION
- 2 SUPERSEDED BY 165075
- 3 MAX RECOMMENDED OPERATING TEMPERATURE 105°C [221°F]
- 4 STAMP AMP 16-14* APPROX AS SHOWN

AMP WIRE RANGE	RU FILE E13288
16-14 AWG STRANDED	16-14 AWG STRANDED



SECTION A-A

-	-	2.92-4.83 [.115-.190]	1	2-165075-0
-	-	2.92-4.32 [.115-.170]	2	165075-1
1000	LOOSE PIECE	2.92-4.83 [.115-.190]		165075
QTY	PACKAGE TYPE	FOR WIRE INSULATION "A"		PART NO

THIS DRAWING IS A CONTROLLED DOCUMENT.		DWN jr ruth 04JUN07	TE Connectivity	
DIMENSIONS: mm [INCHES]		CHK T MICHELUTTI 04JUN07	NAME	
TOLERANCES UNLESS OTHERWISE SPECIFIED:		APVD T MICHELUTTI 04JUN07	PRODUCT SPEC	
0 PLC ± -		APPLICATION SPEC		
1 PLC ± 0.5[.02]		WEIGHT		
2 PLC ± 0.20[.007]		SCALE 8:1		
3 PLC ± -		SHEET 1 of 1		
4 PLC ± -		REV K2		
ANGLES ± 1°		CUSTOMER DRAWING		
FINISH		SIZE CAGE CODE DRAWING NO RESTRICTED TO		
-		A2 00779 C=165075 -		

X-ON Electronics

Largest Supplier of Electrical and Electronic Components

Click to view similar products for [Terminals](#) category:

Click to view products by [TE Connectivity](#) manufacturer:

Other Similar products are found below :

[00-054007-01074-6](#) [00-054007-70206-1](#) [00-054007-70210-8](#) [00-054007-70217-7](#) [00-054007-70226-9](#) [00-054007-70228-3](#) [00-054007-70248-1](#) [00-054007-70256-6](#) [00-054007-70301-3](#) [00-054007-70316-7](#) [00-054007-49560-4](#) [00-054007-70209-2](#) [00-054007-70225-2](#) [00-054007-70227-6](#) [00-054007-70231-3](#) [00-054007-70241-2](#) [00-054007-70242-9](#) [00-054007-70244-3](#) [00-054007-70246-7](#) [00-054007-70263-4](#) [00-054007-70288-7](#) [00-054007-70290-0](#) [00-054007-70300-6](#) [00-054007-70304-4](#) [01-2065-1-0216](#) [01-2900-1-04412](#) [00581P0075](#) [600TS-10](#) [60205-1](#) [604200-1](#) [605601-1](#) [60598-1-CUT-TAPE](#) [61314-6-C](#) [61810-3](#) [61-S](#) [61-SN](#) [626-0194](#) [62-NBM-A](#) [62-SN](#) [62-SP](#) [63-S](#) [640179-1](#) [M55155/059I03](#) [M55155/079C01](#) [M55155/099H02](#) [M55155/109H01](#) [M55155/109H02](#) [M55155/12XH05](#) [M55155/16XH02](#) [M55155/29-5S](#)