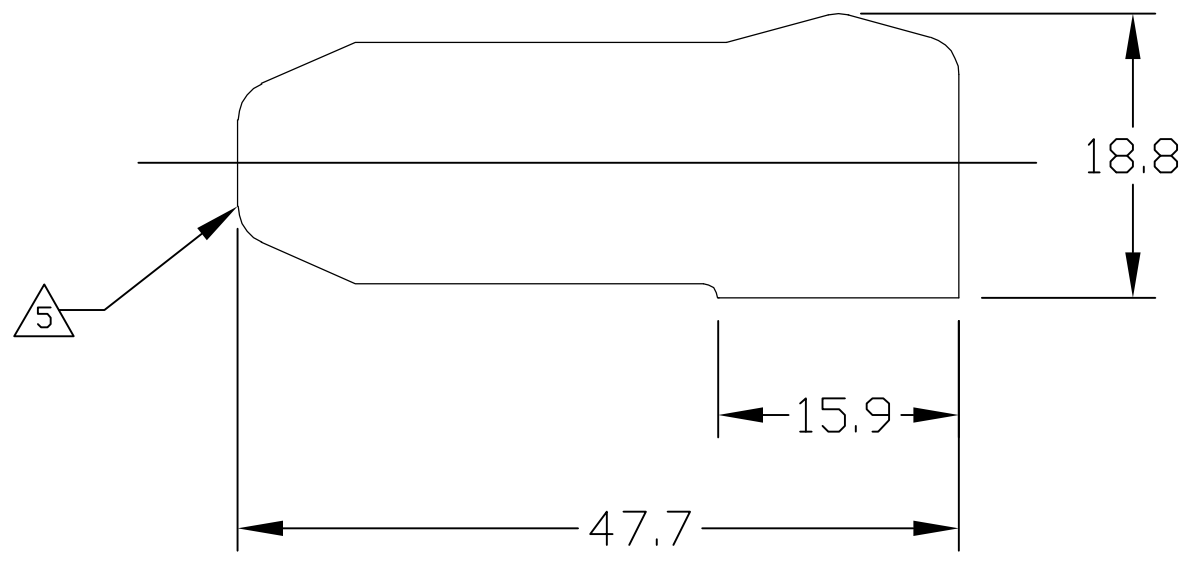
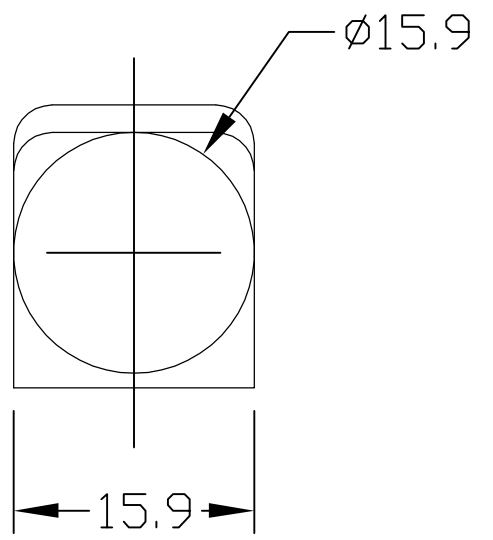


THIS DRAWING IS UNPUBLISHED. RELEASED FOR PUBLICATION
 © COPYRIGHT BY TYCO ELECTRONICS CORPORATION. ALL RIGHTS RESERVED.

LOC	DIST	REVISIONS					
GP	00	P	LTR	DESCRIPTION	DATE	DWN	APVD
			C	REV PER ECO-06-006253	16MAR06	RG	MP



- 5 CABLE ENTRY OF BOOT IS MOULDED SOLID AND CROPPED TO SUIT CABLE USED BY CUSTOMER.
- 4. MATERIAL: ALL COLORS TO BE FIRE RETARDANT GRADE PVC 55 SHORE A, RATED TO UL94V-0. COLORS: SEE TABLE
- 3. FINISH: GLOSSY, CLEAN WITH NO INTERNAL & EXTERNAL BURRS.
- 2. ITEMS PROVIDED TO THIS SPECIFICATION SHALL BE IDENTIFIED ON THE CONTAINER WITH THE FOLLOWING INFORMATION: PART NUMBER & DATE CODE OF MANUFACTURE.
- 1. PART NUMBER CHANGES AND OR DESIGN CHANGES AFFECTING ITEM INTERCHANGEABILITY REQUIRE PRIOR TYCO APPROVAL AND AUTHORIZATION BY REVISION TO THIS DRAWING.

1651003-4	BLUE
1651003-3	GREY
1651003-2	RED
1651003-1	BLACK
TYCO PN	COLOR

THIS DRAWING IS A CONTROLLED DOCUMENT.		DWN	28AUG00 NGUYEN/GRZYBOWSKI		Tyco Electronics Corporation Harrisburg, PA 17105-3608		
DIMENSIONS: mm		CHK	-		NAME		
		APVD	25FEB05 D.CHAU		INSULATION BOOT SIZE #4 AND #8		
TOLERANCES UNLESS OTHERWISE SPECIFIED:		PRODUCT SPEC	-		-		
0 PLC ± -		APPLICATION SPEC	-		SIZE	RESTRICTED TO	
1 PLC ± .50		WEIGHT	-		A3	-	
2 PLC ± .25		CUSTOMER DRAWING		CAGE CODE	00779	DRAWING NO	
3 PLC ± -		SCALE	1:1		SHEET	1 OF 1	
4 PLC ± -		REV	C		REV		
ANGLES ± .5		-		-		-	
FINISH		-		-		-	
MATERIAL		-		-		-	

ELCON RAPID LOCK

X-ON Electronics

Largest Supplier of Electrical and Electronic Components

Click to view similar products for [Power to the Board](#) category:

Click to view products by [TE Connectivity](#) manufacturer:

Other Similar products are found below :

[6450171-4](#) [6450552-7](#) [6600323-8](#) [6643429-1](#) [6646040-2](#) [6651939-1](#) [6766604-1](#) [120959-1](#) [1393557-2](#) [1393532-2](#) [1393532-3](#) [1393532-4](#)
[1393557-1](#) [1600812-5](#) [1-6450861-2](#) [1744132-7](#) [1761122-1](#) [1766250-1](#) [1892109-1](#) [2-6450860-5](#) [2-6450870-0](#) [1-6450161-4](#) [1-6450850-6](#) [1-](#)
[6450869-6](#) [1645526-2](#) [1-6600130-0](#) [2005243-2](#) [377-0020-11130](#) [TE34-12-16P-F0](#) [51700-10201602AALF](#) [5-6450830-6](#) [5646956-4](#) [377-](#)
[0080-11131A](#) [4-6450830-9](#) [4-6600333-3](#) [10125416-4050LF](#) [10130248-005LF](#) [6600320-3](#) [3-6450860-5](#) [1888123-2](#) [6450166-1](#) [6643978-1](#)
[6766605-1](#) [701-15-02109](#) [N11444](#) [6651938-1](#) [6450810-7](#) [46437-1112](#) [1-1589677-8](#) [5646956-5](#)