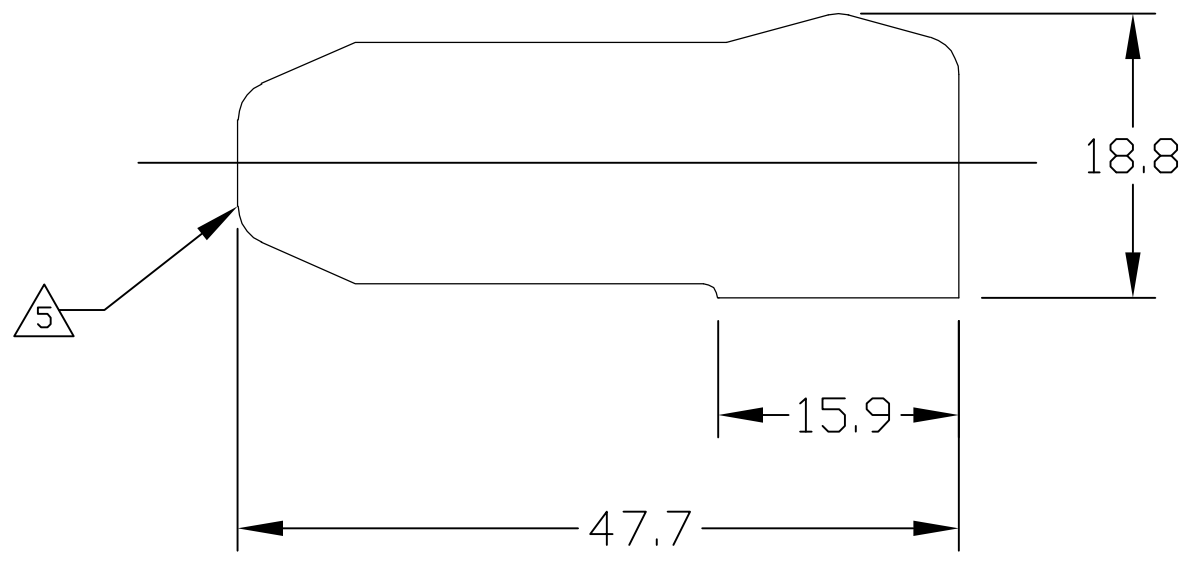
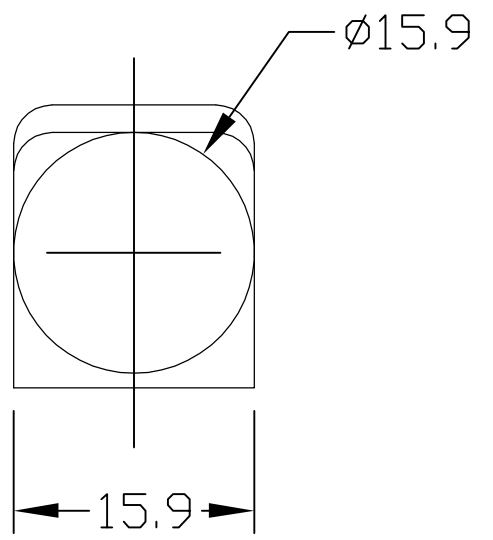


THIS DRAWING IS UNPUBLISHED. RELEASED FOR PUBLICATION
 © COPYRIGHT BY TYCO ELECTRONICS CORPORATION. ALL RIGHTS RESERVED.

LOC	DIST	REVISIONS					
GP	00	P	LTR	DESCRIPTION	DATE	DWN	APVD
			C	REV PER ECO-06-006253	16MAR06	RG	MP



- 5 CABLE ENTRY OF BOOT IS MOULDED SOLID AND CROPPED TO SUIT CABLE USED BY CUSTOMER.
- MATERIAL: ALL COLORS TO BE FIRE RETARDANT GRADE PVC 55 SHORE A, RATED TO UL94V-0. COLORS: SEE TABLE
 - FINISH: GLOSSY, CLEAN WITH NO INTERNAL & EXTERNAL BURRS.
 - ITEMS PROVIDED TO THIS SPECIFICATION SHALL BE IDENTIFIED ON THE CONTAINER WITH THE FOLLOWING INFORMATION: PART NUMBER & DATE CODE OF MANUFACTURE.
 - PART NUMBER CHANGES AND OR DESIGN CHANGES AFFECTING ITEM INTERCHANGEABILITY REQUIRE PRIOR TYCO APPROVAL AND AUTHORIZATION BY REVISION TO THIS DRAWING.

1651003-4	BLUE
1651003-3	GREY
1651003-2	RED
1651003-1	BLACK
TYCO PN	COLOR

THIS DRAWING IS A CONTROLLED DOCUMENT.		DWN NGUYEN/GRZYBOWSKI 28AUG00	Tyco Electronics Corporation Harrisburg, PA 17105-3608	
DIMENSIONS: mm		CHK -	NAME D.CHAU	
TOLERANCES UNLESS OTHERWISE SPECIFIED:		APVD 25FEB05	PRODUCT SPEC	
0 PLC ± -		APPLICATION SPEC		
1 PLC ± .50		SIZE A3		
2 PLC ± .25		CAGE CODE 00779		
3 PLC ± -		DRAWING NO C-1651003		
4 PLC ± -		RESTRICTED TO -		
ANGLES ± .5		SCALE 1:1		
MATERIAL -		SHEET 1 OF 1		
FINISH -		REV C		
		CUSTOMER DRAWING		

ELCON RAPID LOCK

X-ON Electronics

Largest Supplier of Electrical and Electronic Components

Click to view similar products for [Power to the Board](#) category:

Click to view products by [TE Connectivity](#) manufacturer:

Other Similar products are found below :

[6450171-4](#) [6450552-7](#) [6600323-8](#) [6643429-1](#) [6646040-2](#) [6651939-1](#) [6766604-1](#) [120959-1](#) [1393557-2](#) [1393532-2](#) [1393532-3](#) [1393532-4](#)
[1393557-1](#) [1600812-5](#) [1-6450861-2](#) [1744132-7](#) [1761122-1](#) [1766250-1](#) [1892109-1](#) [2-6450860-5](#) [2-6450870-0](#) [1-6450161-4](#) [1-6450850-6](#) [1-6450869-6](#) [1645526-2](#) [1-6600130-0](#) [2005243-2](#) [377-0020-11130](#) [TE34-12-16P-F0](#) [5-6450830-6](#) [5646956-4](#) [377-0080-11131A](#) [4-6450830-9](#)
[4-6600333-3](#) [10125416-4050LF](#) [6600320-3](#) [3-6450860-5](#) [1888123-2](#) [6450166-1](#) [6643978-1](#) [6766605-1](#) [701-15-02109](#) [N11444](#) [6651938-1](#)
[6450810-7](#) [46437-1112](#) [1-1589677-8](#) [5646956-5](#) [6450813-2](#) [6450129-4](#)