

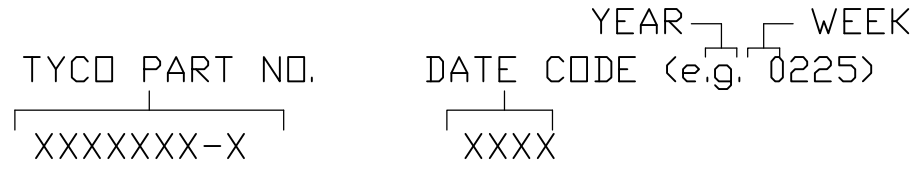
THIS DRAWING IS UNPUBLISHED. RELEASED FOR PUBLICATION
 © COPYRIGHT - BY TYCO ELECTRONICS CORPORATION. ALL RIGHTS RESERVED.

LOC	DIST	REVISIONS					
GP	00	P	LTR	DESCRIPTION	DATE	DWN	APVD
			A	RELEASED	16MAY06	RG	SF

5 RECOMMENDED MOUNTING HARDWARE TO BE ORDERED SEPARATELY
 FOR REFERENCE ONLY:
 FOR PANEL MOUNTING USE:
 1650402-1, 8-32 SHOULDER SCREW
 1650589-1, M4 X 0.7 SHOULDER SCREW

4. ELCON SERIES 426-0001-01100

3 ITEMS PROVIDED TO THIS SPECIFICATION TO BE PERMANENTLY
 IDENTIFIED PER THE FOLLOWING IDENTIFIER:



2. MATERIALS:
 HOUSINGS: THERMOPLASTIC, GLASS REINFORCED,
 UL94V-0 FLAMMABILITY RATED, COLOR-BLACK.
 RETENTION CLIPS: BERYLLIUM COPPER OR STAINLESS STEEL.

1. PART NUMBER CHANGES AND OR DESIGN CHANGES AFFECTING
 ITEM INTERCHANGEABILITY REQUIRE PRIOR TYCO APPROVAL
 AND AUTHORIZATION BY REVISION TO THIS DRAWING.

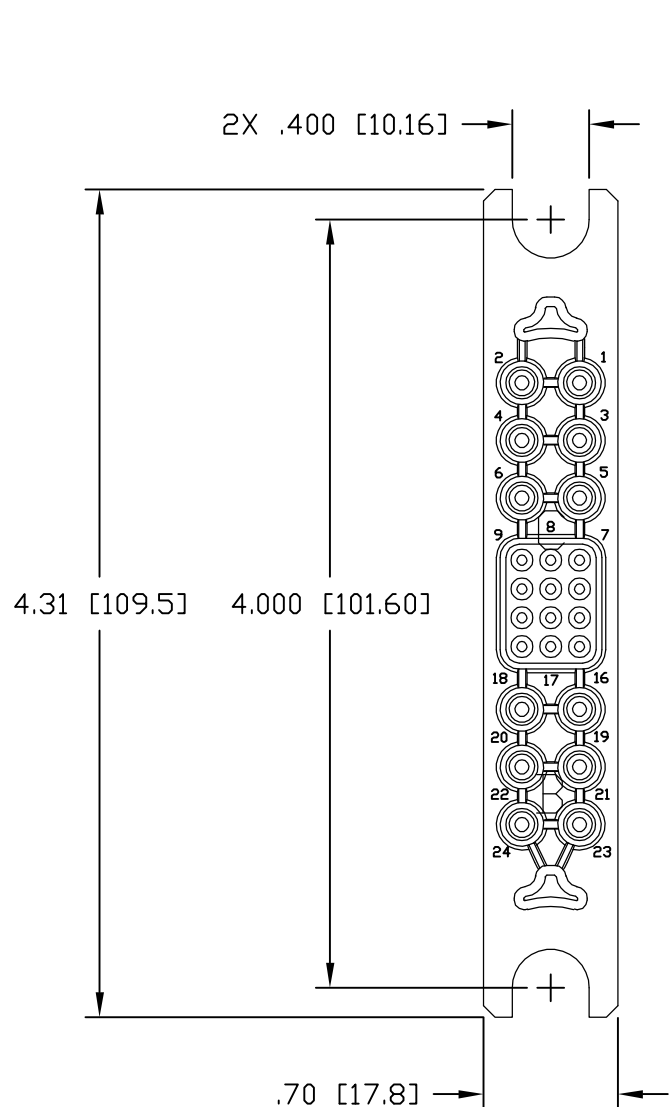
AS SHOWN	1651203-1
DESCRIPTION	PART NUMBER

THIS DRAWING IS A CONTROLLED DOCUMENT.		DWN R.GRZYBOWSKI 16MAY2006	Tyco Electronics Corporation Harrisburg, PA 17105-3608	
DIMENSIONS: INCHES		CHK S.FLICKINGER 16MAY06		
		APVD S.FLICKINGER 16MAY06	NAME P12S12 MINI DRAWER, STRAIGHT SOCKET WITH RETENTION CLIPS	
TOLERANCES UNLESS OTHERWISE SPECIFIED:		PRODUCT SPEC	-	
0 PLC ± -		APPLICATION SPEC	-	
1 PLC ± -		WEIGHT	-	
2 PLC ± .02		SIZE	A3	
3 PLC ± .010		CAGE CODE	00779	
4 PLC ± -		DRAWING NO	C-1651203	
ANGLES ± .5		RESTRICTED TO	-	
MATERIAL	FINISH	CUSTOMER DRAWING		
-	-	SCALE	1:1	
		SHEET	1 OF 3	
		REV	A	

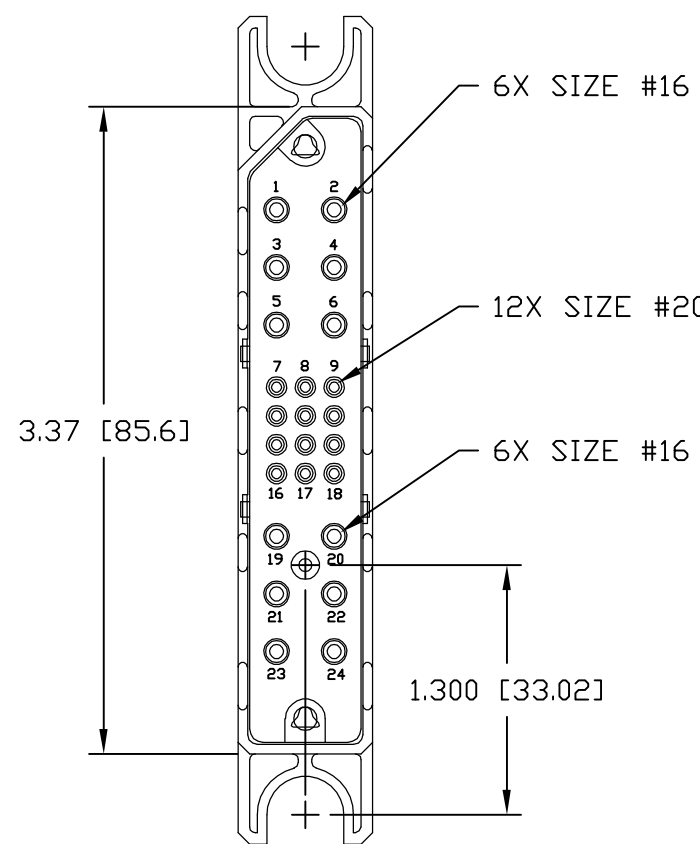
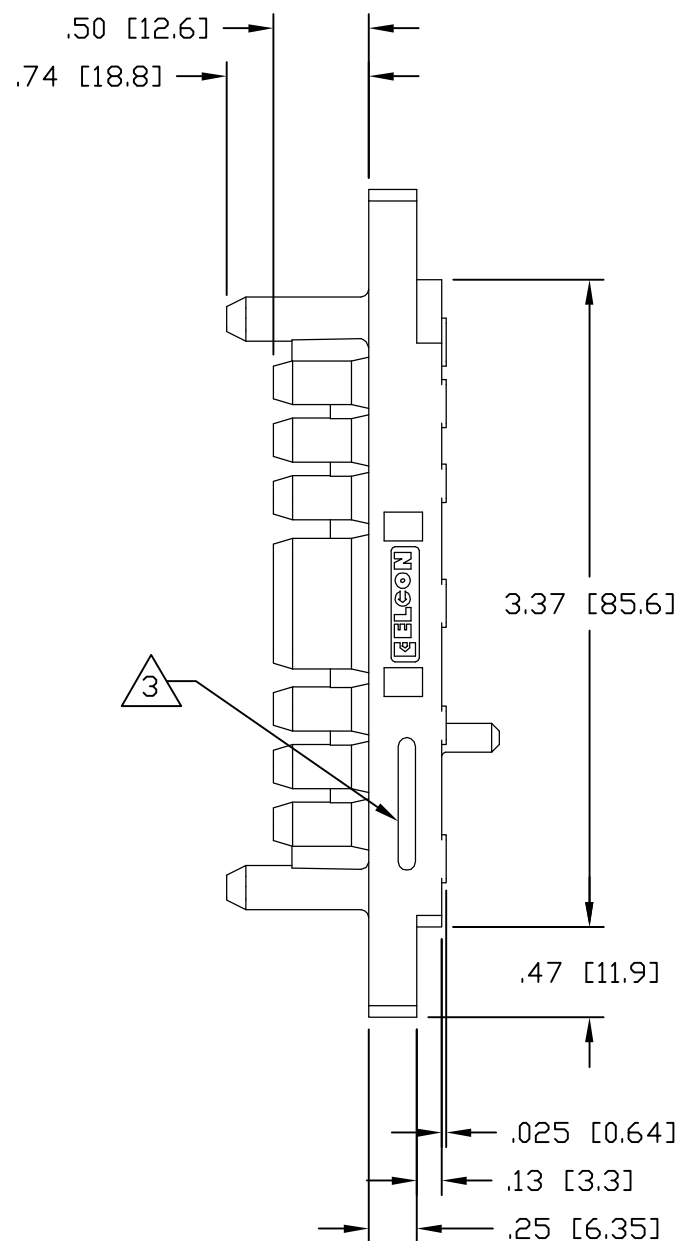
ELCON P12S12 MINI DRAWER

THIS DRAWING IS UNPUBLISHED. RELEASED FOR PUBLICATION
 © COPYRIGHT BY TYCO ELECTRONICS CORPORATION. ALL RIGHTS RESERVED.

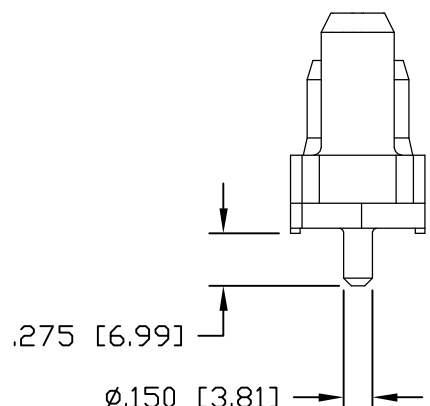
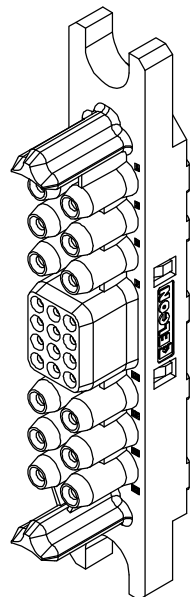
LOC	DIST	REVISIONS			
P	LTR	DESCRIPTION	DATE	DWN	APVD
GP	00	SEE SHEET 1	-	-	-



FRONT VIEW



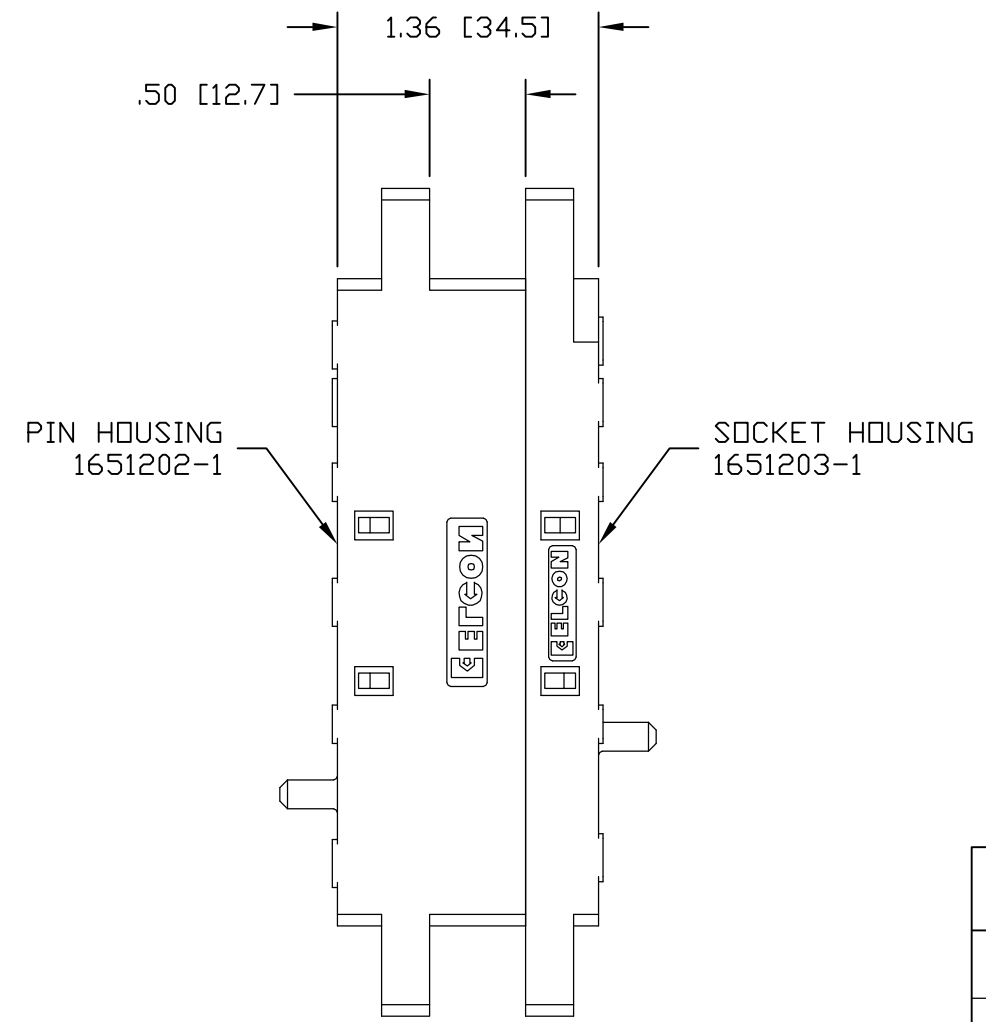
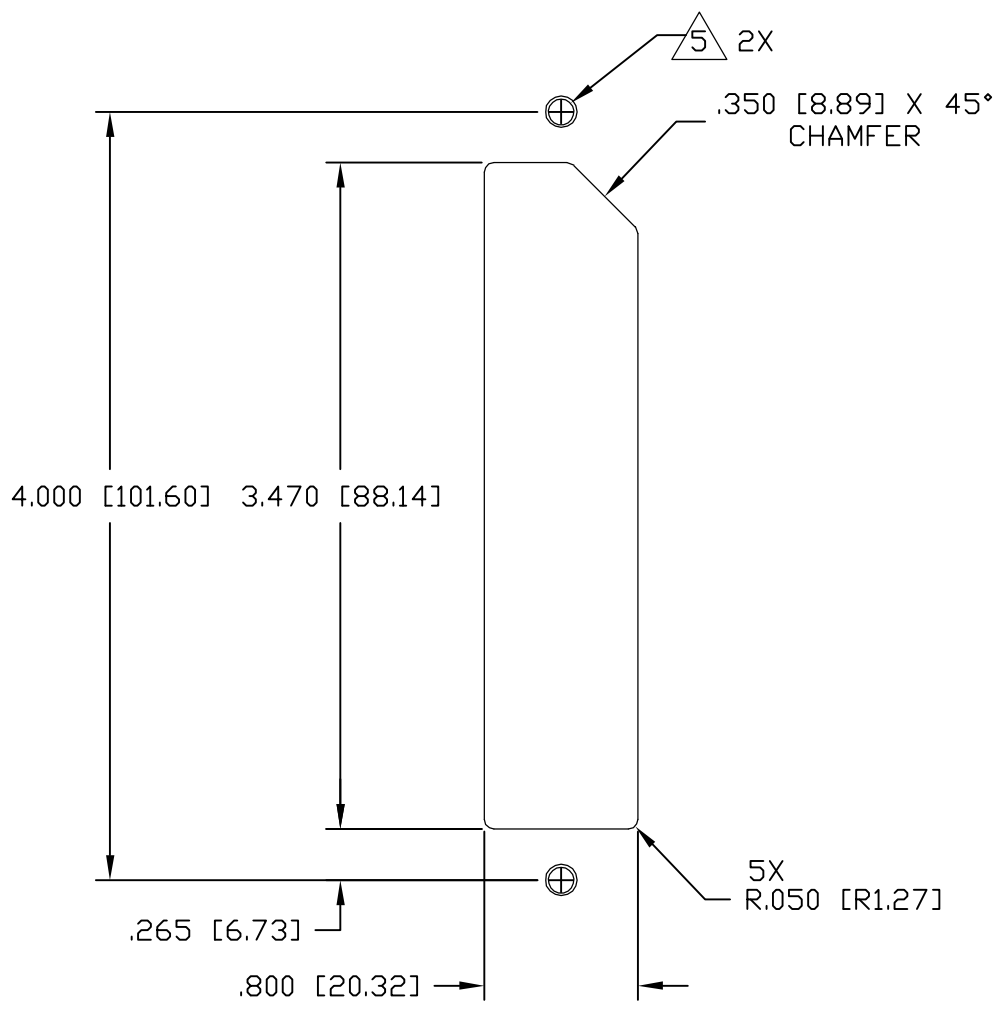
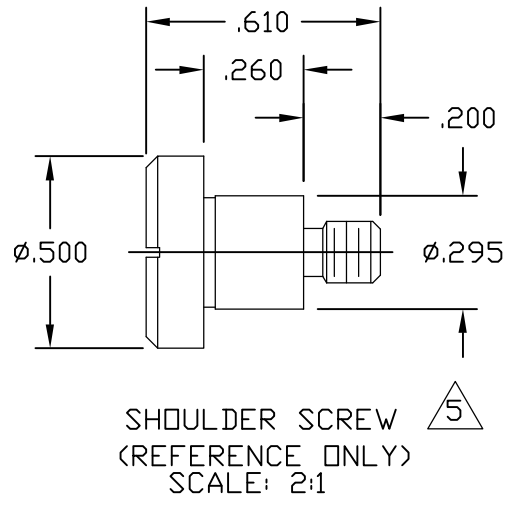
REAR VIEW



THIS DRAWING IS A CONTROLLED DOCUMENT.		DWN R.GRZYBOWSKI 16MAY2006	Tyco Electronics Corporation Harrisburg, PA 17105-3608	
DIMENSIONS: INCHES	TOLERANCES UNLESS OTHERWISE SPECIFIED: 0 PLC ± - 1 PLC ± - 2 PLC ± .02 3 PLC ± .010 4 PLC ± - ANGLES ± .5	CHK S.FLICKINGER 16MAY06	NAME	
		APVD S.FLICKINGER 16MAY06	P12S12 MINI DRAWER, STRAIGHT SOCKET WITH RETENTION CLIPS	
	MATERIAL - FINISH -	PRODUCT SPEC -	SIZE A3	CAGE CODE 00779
		APPLICATION SPEC -	DRAWING NO C-1651203	RESTRICTED TO -
		WEIGHT -	SCALE 1:1	SHEET 2 OF 3
		CUSTOMER DRAWING	REV A	

THIS DRAWING IS UNPUBLISHED. RELEASED FOR PUBLICATION
 © COPYRIGHT - BY TYCO ELECTRONICS CORPORATION. ALL RIGHTS RESERVED.

LOC	DIST	REVISIONS			
P	LTR	DESCRIPTION	DATE	DWN	APVD
GP	00	SEE SHEET 1	-	-	-



SUGGESTED PANEL CUTOUT
 VIEWED FROM CONNECTOR MOUNTING SIDE

MATED CONDITION

THIS DRAWING IS A CONTROLLED DOCUMENT.		DWN R.GRZYBOWSKI 16MAY2006	Tyco Electronics Corporation Harrisburg, PA 17105-3608	
DIMENSIONS: INCHES	TOLERANCES UNLESS OTHERWISE SPECIFIED:	CHK S.FLICKINGER 16MAY06	NAME P12S12 MINI DRAWER, STRAIGHT SOCKET WITH RETENTION CLIPS	
	0 PLC ± -	APVD S.FLICKINGER 16MAY06	PRODUCT SPEC	
	1 PLC ± -	PRODUCT SPEC	-	
	2 PLC ± .02	APPLICATION SPEC	-	
	3 PLC ± .010	APPLICATION SPEC	-	
	4 PLC ± -	WEIGHT	-	
	ANGLES ± .5	FINISH	-	
MATERIAL	FINISH	SIZE: A3 CAGE CODE: 00779 DRAWING NO: C-1651203		RESTRICTED TO
-		CUSTOMER DRAWING		SCALE: 1:1 SHEET: 3 OF 3 REV: A

X-ON Electronics

Largest Supplier of Electrical and Electronic Components

Click to view similar products for [Heavy Duty Power Connectors](#) category:

Click to view products by [TE Connectivity](#) manufacturer:

Other Similar products are found below :

[647757-1](#) [6643411-1](#) [6646058-2](#) [6646137-1](#) [6646138-1](#) [6646479-1](#) [6646608-1](#) [6646786-1](#) [6646940-1](#) [6651091-1](#) [6651525-1](#) [6651529-1](#)
[6651788-1](#) [696475-1](#) [702-32-01109](#) [703-25-02205](#) [73000005059](#) [73000005642](#) [73080255059](#) [73080965046](#) [765-15-0080A](#) [765-16-0080B](#)
[765-18-0080D](#) [829992-1](#) [902-77-02113](#) [PS00/A0620/6300](#) [PS25/A0420/63](#) [129-1J](#) [1409400](#) [AN0024023](#) [E6374G1](#) [e6389g2](#) [157-43GW8](#)
[MS3117-14AC](#) [1643543-1](#) [1650540-1](#) [1651811-2](#) [1766260-1](#) [1766282-1](#) [1766966-1](#) [1791340000](#) [NLDFT-3-BL-L-S120-M40A](#) [NLDFT-N-](#)
[W-L-C240-M40B](#) [NLS-2-R-C240-M40B](#) [NLS-N-W-C240-M40B](#) [NPS-3-BL-T6](#) [1986615-1](#) [2-1589900-8](#) [2199314-1](#) [KA8102](#)