

4

3

2

1

THIS DRAWING IS UNPUBLISHED.

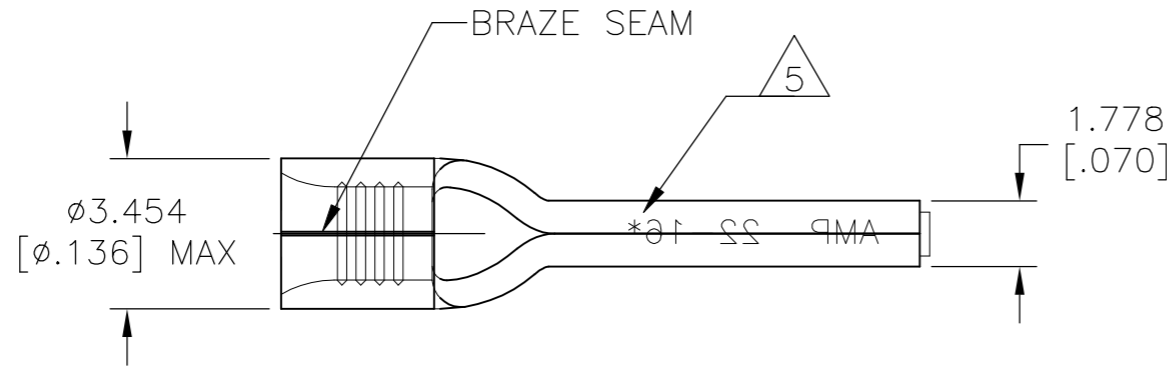
RELEASED FOR PUBLICATION

ALL RIGHTS RESERVED.

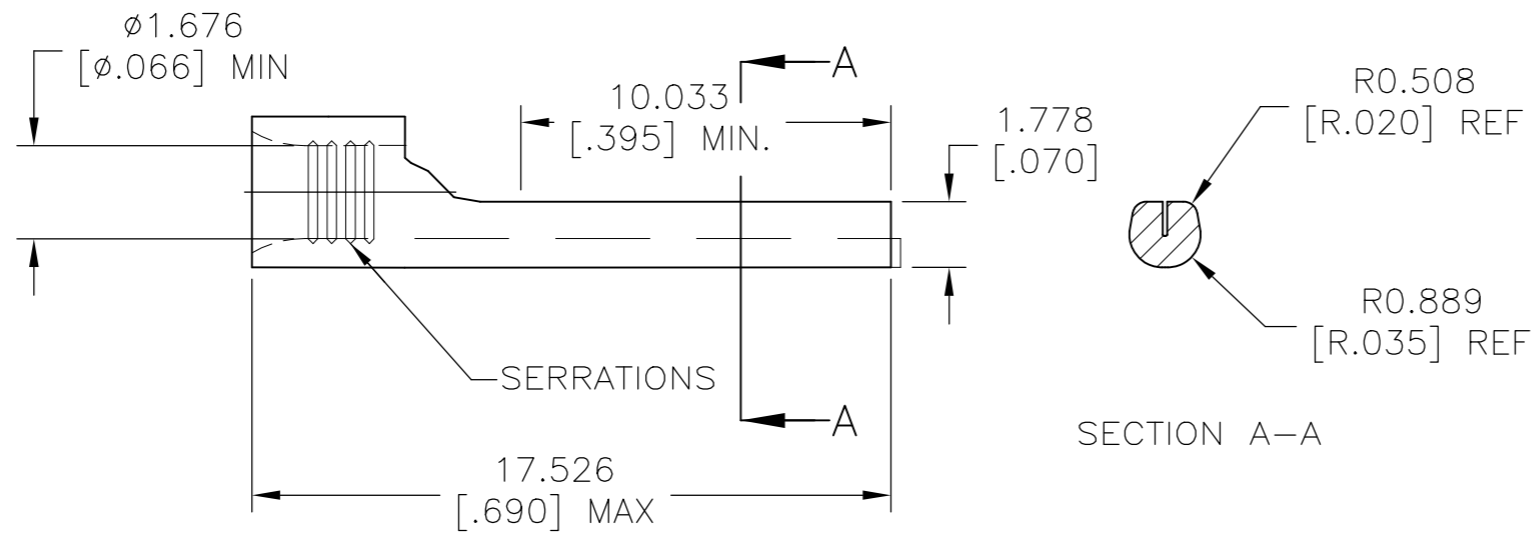
© COPYRIGHT - By -

REVISIONS

| P | LTR | DESCRIPTION | DATE | DWN | APVD |
|----|-----|---------------------------|-----------|-----|------|
| B1 | | REVISED PER ECO-14-003208 | 18MAR2014 | NK | DR |
| B2 | | REVISED PER ECO-17-008806 | 21FEB2018 | RS | DR |



- 1 170°C [338°F] MAXIMUM OPERATING TEMPERATURE
- 2 MATERIAL 0.770±0.051 [0.030±.002] THK
- 3 WIRE CROSS SECTIONAL AREA RANGE:
0.26-1.65mm² [509-3,260 CMA]
SOLID OR STRANDED
- 4 NOTE DELETED
- △5 STAMP AMP 22-16* APPROX AS SHOWN



| | | | | |
|------|-------------|---|------------------------------------|---------|
| 1000 | LOOSE PIECE | TIN PLATED PER ASTM B-545 0.00254[.0001] MIN EXT THK | COPPER PER ASTM B-152, ANNEALED | 165166 |
| QTY | PACKAGING | FINISH | MATERIAL | PART NO |

THIS DRAWING IS A CONTROLLED DOCUMENT.

DWN JR RUTH 04DEC08

CHK T MICHIELUTTI 04DEC08

APVD T MICHIELUTTI 04DEC08

PRODUCT SPEC

APPLICATION SPEC

WEIGHT

CUSTOMER DRAWING

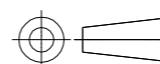
STE TE Connectivity Ltd.

NAME SOLISTRAND WIRE PIN (LONG)
22-16 AWG

| SIZE | CAGE CODE | DRAWING NO | RESTRICTED TO |
|------|-----------|------------|---------------|
| A3 | 00779 | C-165166 | - |

DIMENSIONS:
mm [INCHES]

TOLERANCES UNLESS
OTHERWISE SPECIFIED:



- 0 PLC ± -
- 1 PLC ± -
- 2 PLC ± -
- 3 PLC ± 0.127[.005]
- 4 PLC ± -
- ANGLES ± -

MATERIAL FINISH

SCALE 5:1 SHEET 1 OF 1 REV B2

X-ON Electronics

Largest Supplier of Electrical and Electronic Components

Click to view similar products for [Terminals](#) category:

Click to view products by [TE Connectivity](#) manufacturer:

Other Similar products are found below :

[00-054007-01074-6](#) [00-054007-70206-1](#) [00-054007-70210-8](#) [00-054007-70217-7](#) [00-054007-70226-9](#) [00-054007-70228-3](#) [00-054007-70248-1](#) [00-054007-70256-6](#) [00-054007-70301-3](#) [00-054007-70316-7](#) [00-054007-49560-4](#) [00-054007-70209-2](#) [00-054007-70225-2](#) [00-054007-70227-6](#) [00-054007-70231-3](#) [00-054007-70241-2](#) [00-054007-70242-9](#) [00-054007-70244-3](#) [00-054007-70246-7](#) [00-054007-70263-4](#) [00-054007-70288-7](#) [00-054007-70290-0](#) [00-054007-70300-6](#) [00-054007-70304-4](#) [01-2065-1-0216](#) [01-2900-1-04412](#) [00581P0075](#) [600TS-10](#) [60205-1](#) [604200-1](#) [605601-1](#) [60598-1-CUT-TAPE](#) [61314-6-C](#) [61810-3](#) [61-S](#) [61-SN](#) [626-0194](#) [62-NBM-A](#) [62-SN](#) [62-SP](#) [63-S](#) [640179-1](#) [M55155/059I03](#) [M55155/079C01](#) [M55155/099H02](#) [M55155/109H01](#) [M55155/109H02](#) [M55155/12XH05](#) [M55155/16XH02](#) [M55155/29-5S](#)