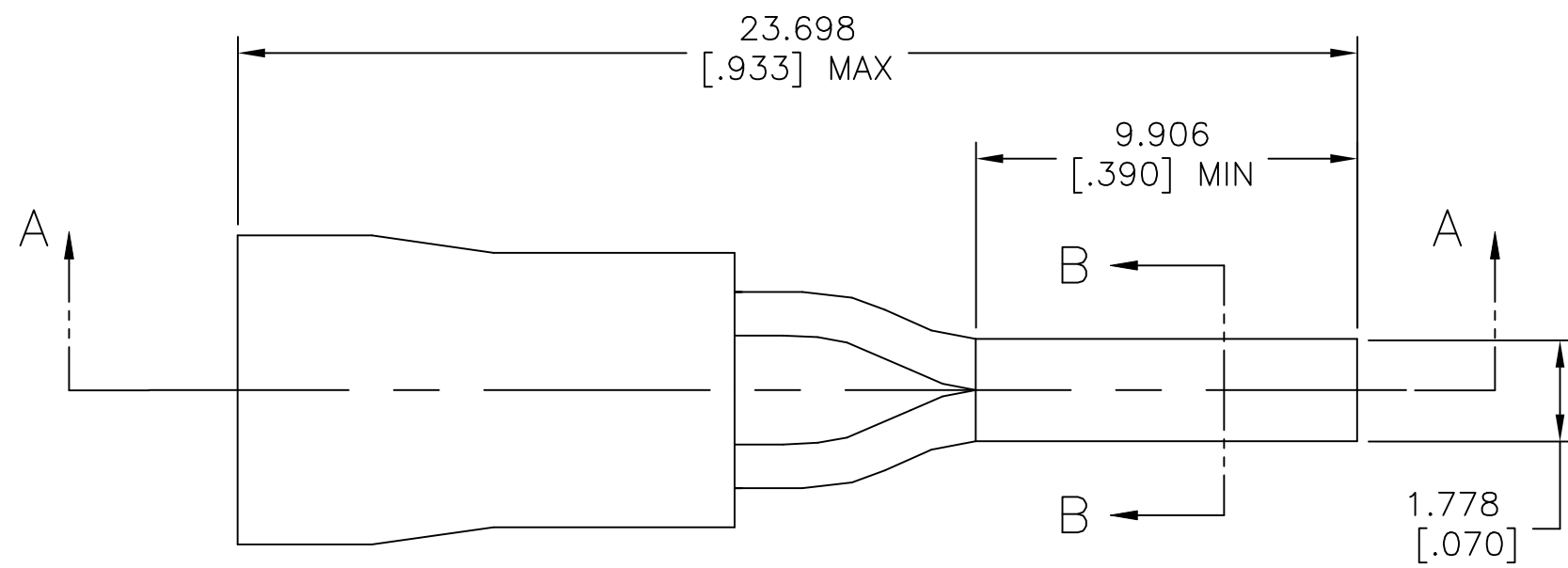


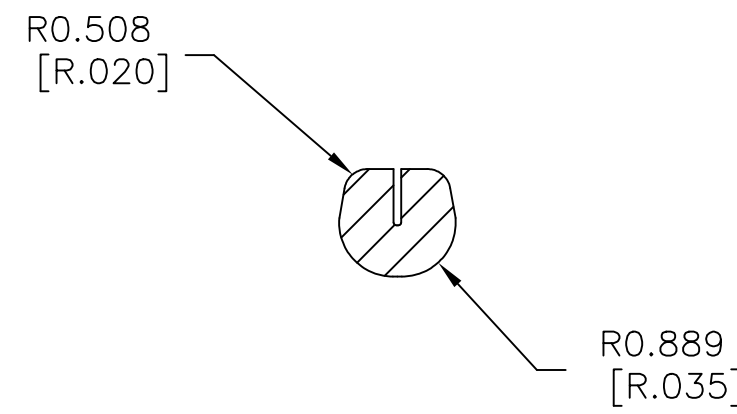
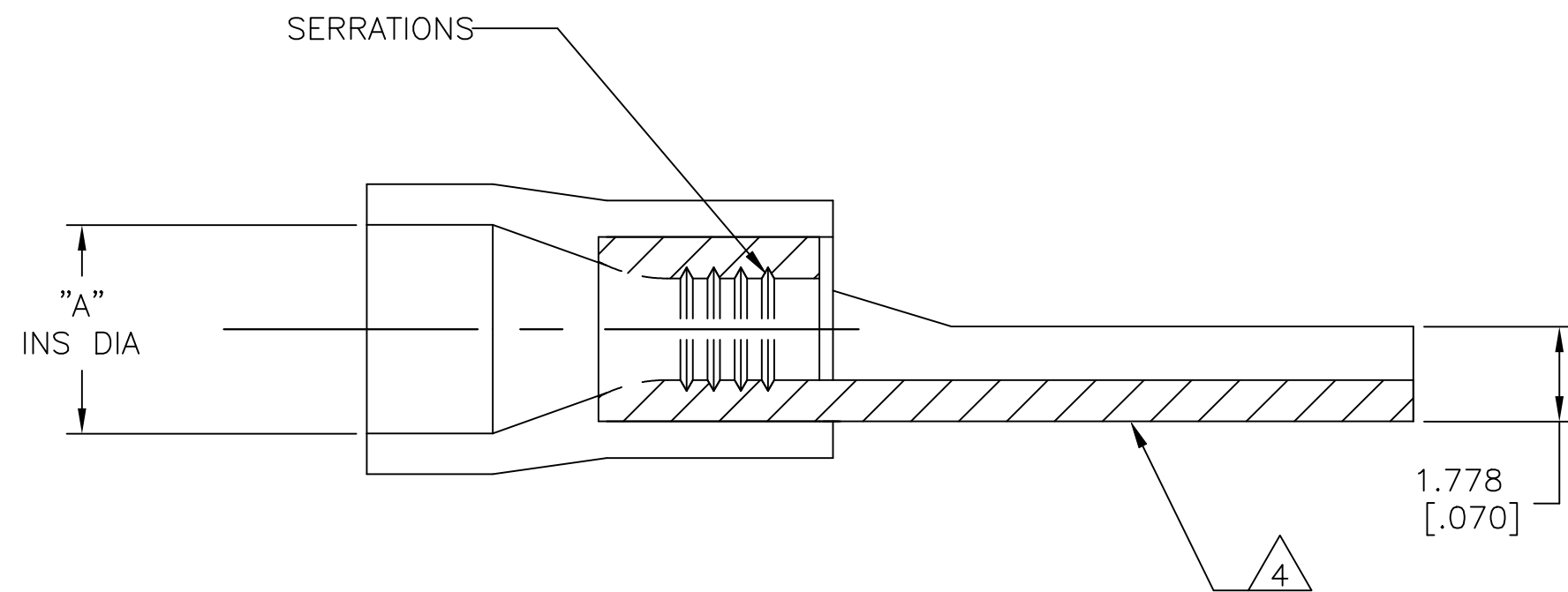
THIS DRAWING IS UNPUBLISHED. RELEASED FOR PUBLICATION
 © COPYRIGHT - - ALL RIGHTS RESERVED.

REVISIONS					
P	LTR	DESCRIPTION	DATE	DWN	APVD
	G2	REVISED PER ECO-14-003208	17MAR2014	NK	DR
	G3	REVISED PER ECO-18-002275	19FEB2018	RS	DR



- 1 WIRE SIZE IS #16-#14 AWG
- 2 SUPERSEDED BY 165171
- 3 OBSOLETE - NO REPLACEMENT
- 4 STAMP AMP 16-14* APPROX AS SHOWN
- 5 MAX RECOMMENDED OPERATING TEMPERATURE 105°C[221°F]
- 6 MATERIAL: BODY-COPPER PER ASTM B152 INSULATION-PVC
- 7 FINISH: BODY-TIN PLATE .00254[.000100] MIN EXT THK PER ASTM B454 INSULATION-COLOR-BLUE

2.921-4.318[.115-.170]	---	165171-1	2
2.921-4.826[.115-.190]	2-165171-0	165171	3
INSUL DIA RANGE. "A"	P/N ON TAPE	PART NO.	



SECTION A-A

SECTION B-B

AMP WIRE RANGE	FILE E13288
16-14 AWG STRANDED	16-14 AWG STRANDED

1000	LOOSE PIECE	165171
QTY	PACKAGE TYPE	PART NO

THIS DRAWING IS A CONTROLLED DOCUMENT.		DWN jr ruth 31MAY07	TE Connectivity Ltd.	
DIMENSIONS: mm [INCHES]		CHK T MICHIELUTTI 31MAY07	NAME TERMINAL, WIRE PIN, PLASTI-GRIP, 16-14 AWG	
TOLERANCES UNLESS OTHERWISE SPECIFIED: 0 PLC ± - 1 PLC ± - 2 PLC ± - 3 PLC ± 0.203[.008] 4 PLC ± - ANGLES ± 1°		APVD T MICHIELUTTI 31MAY07	PRODUCT SPEC UL486 A-B	
MATERIAL		FINISH	114-2161	RESTRICTED TO
6		7	SIZE A2	CAGE CODE 00779
CUSTOMER DRAWING		SCALE 8:1	DRAWING NO C=165171	SHEET 1 of 1
			REV G3	

X-ON Electronics

Largest Supplier of Electrical and Electronic Components

Click to view similar products for [Terminals](#) category:

Click to view products by [TE Connectivity](#) manufacturer:

Other Similar products are found below :

[00-054007-01074-6](#) [00-054007-70206-1](#) [00-054007-70210-8](#) [00-054007-70217-7](#) [00-054007-70226-9](#) [00-054007-70228-3](#) [00-054007-70248-1](#) [00-054007-70256-6](#) [00-054007-70301-3](#) [00-054007-70316-7](#) [0-0320562-0](#) [00-054007-49560-4](#) [00-054007-70209-2](#) [00-054007-70225-2](#) [00-054007-70227-6](#) [00-054007-70231-3](#) [00-054007-70241-2](#) [00-054007-70242-9](#) [00-054007-70244-3](#) [00-054007-70246-7](#) [00-054007-70263-4](#) [00-054007-70288-7](#) [00-054007-70290-0](#) [00-054007-70300-6](#) [00-054007-70304-4](#) [01-2065-1-0216](#) [01-2900-1-04412](#) [00581P0075](#) [600TS-10](#) [60205-1](#) [604200-1](#) [605601-1](#) [60598-1-CUT-TAPE](#) [61314-6-C](#) [61810-3](#) [61-S](#) [61-SN](#) [626-0194](#) [62-NBM-A](#) [62-SN](#) [62-SP](#) [63-S](#) [640179-1](#) [M55155/059I03](#) [M55155/079C01](#) [M55155/099H02](#) [M55155/109H01](#) [M55155/109H02](#) [M55155/12XH05](#) [M55155/16XH02](#)