

4

3

2

1

THIS DRAWING IS UNPUBLISHED.

RELEASED FOR PUBLICATION

20

© COPYRIGHT 20 BY -

ALL RIGHTS RESERVED.

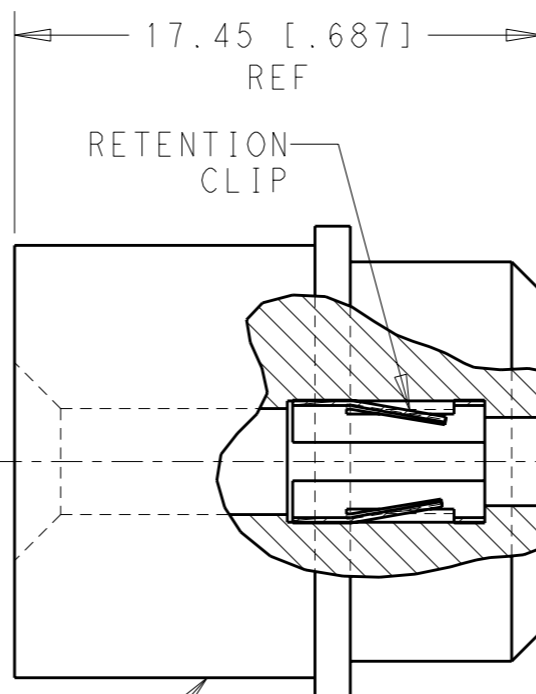
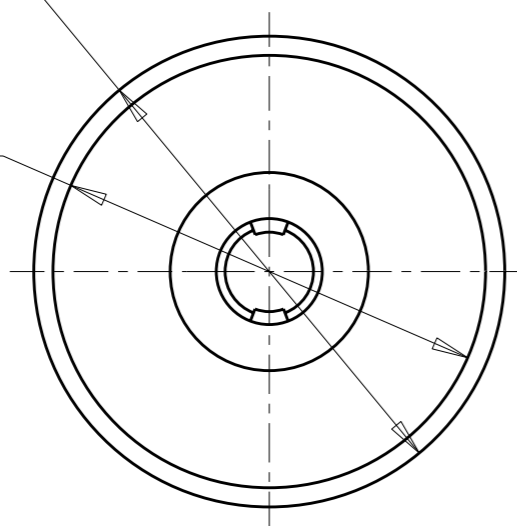
LOC AD DIST 00

REVISIONS

P	LTR	DESCRIPTION	DATE	DWN	APVD
	A	INITIAL REV	06MAR2012	BC	DO

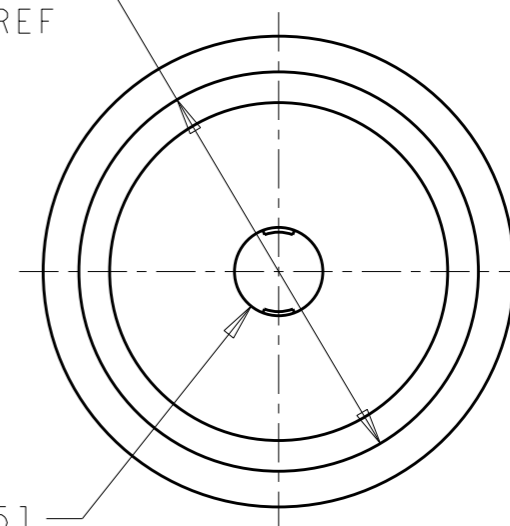
Ø15.57 [.613] REF

Ø14.3 [.563] REF




Ø13.21 [.520] REF

Ø2.92 [.115] REF



1 SOCKET ADAPTER: ULTEM 1000.  
RETENTION CLIP: STAINLESS STEEL.

1651813-1  
PART NUMBER

THIS DRAWING IS A CONTROLLED DOCUMENT.		DWN B. CARBO 06MAR2012	 TE Connectivity	
DIMENSIONS: mm [INCHES]		CHK D. ORRIS 06MAR2012		
TOLERANCES UNLESS OTHERWISE SPECIFIED:		APVD D. ORRIS 06MAR2012	NAME SUBASSEMBLY, SIZE No.0 TO SIZE No.16 SOCKET ADAPTER WITH No.16 RETENTION CLIP PN 705-0075-01100	
0 PLC ±- 1 PLC ±- 2 PLC ±- 3 PLC ±- 4 PLC ±- ANGLES ±-		PRODUCT SPEC -	SIZE A3 CAGE CODE 00779 DRAWING NO C-1651813 RESTRICTED TO -	
MATERIAL 1 FINISH -		APPLICATION SPEC -	SCALE 4:1 SHEET 1 OF 1 REV A	
		WEIGHT -	CUSTOMER DRAWING	

## X-ON Electronics

Largest Supplier of Electrical and Electronic Components

*Click to view similar products for [Heavy Duty Power Connectors](#) category:*

*Click to view products by [TE Connectivity](#) manufacturer:*

Other Similar products are found below :

[1424439](#) [1424438](#) [09330062652](#) [2-8675P1](#) [580129-2](#) [605601-1](#) [6340G1](#) [6341G1](#) [6360G1](#) [6373G1](#) [6374g2](#) [6396G1](#) [647757-1](#) [66394-4](#)  
[6643411-1](#) [6646058-2](#) [6646137-1](#) [6646138-1](#) [6646348-1](#) [6646479-1](#) [6646608-1](#) [6646786-1](#) [6646940-1](#) [6651091-1](#) [6651525-1](#) [6651529-1](#)  
[6651778-1](#) [6651788-1](#) [696465-1](#) [696475-1](#) [73000005059](#) [73000005349](#) [73000005642](#) [73080255059](#) [73080965046](#) [765-15-0080A](#)  
[765-16-0080B](#) [789.700-44](#) [789.700-54](#) [80-1010](#) [80-9](#) [827381-1](#) [829992-1](#) [902-77-02113](#) [PL00U-301-10D10](#) [PM103MOOLOO](#)  
[PM16S1620S32-50](#) [PM212MOOLOO](#) [PM309FOOLOO](#) [PM324FOOLCH](#)