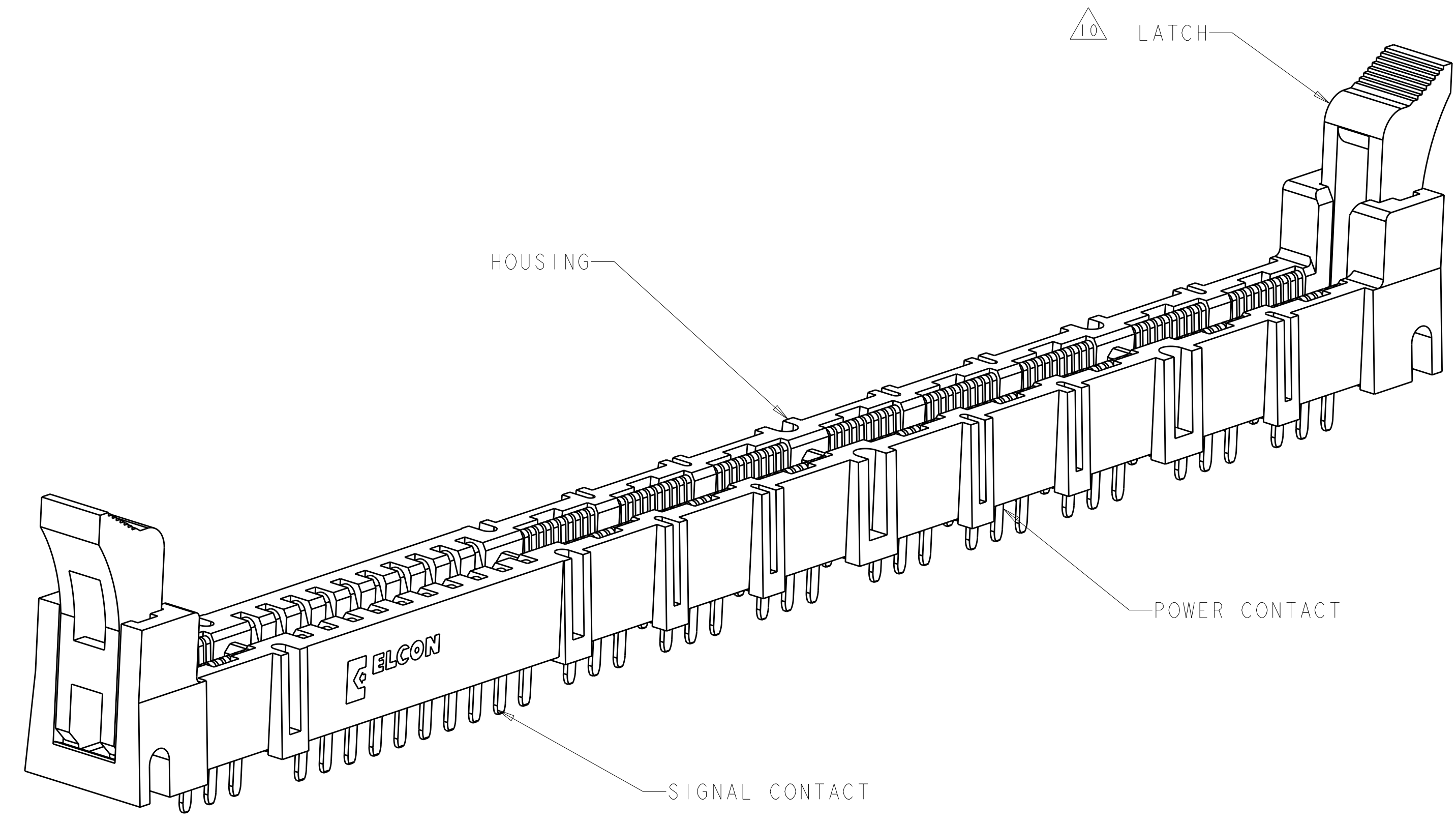


LOC	DIST	REVISIONS			
		REV	DATE	BY	APPD
GP	00	A	08JAN2009	RG	PD
		B	08JAN2010	RG	MS
		BI	25FEB2010	RG	MS



1. PART NUMBER CHANGES AND OR DESIGN CHANGES AFFECTING ITEM INTERCHANGEABILITY REQUIRE PRIOR TYCO ELECTRONICS APPROVAL AND AUTHORIZATION BY REVISION TO THIS DRAWING.

2. MATERIAL:
 HOUSING: GLASS FILLED POLYESTER, COLOR-BLACK
 UL94V-0 FLAMMABILITY RATED
 LATCHES: THERMOPLASTIC, GLASS REINFORCED
 COLOR: BLACK, UL94V-0 FLAMMABILITY RATED
 CONTACTS: COPPER ALLOY

3. FINISH:
 CONTACTS:
 GOLD PLATE 0.76µm MIN THK. OVER
 NICKEL 1.27µm MIN THK.
 SOLDER TAILS - TIN PLATE 3.05µm MIN THK. OVER
 NICKEL 1.27µm MIN THK.

4. ITEMS PROVIDED TO THIS SPECIFICATION TO BE PERMANENTLY IDENTIFIED WITH PART NUMBER AND DATE CODE.

5. MAXIMUM BURR OF 0.013 ON CARD TAB AREA.
 6. SET TRACE BACK FROM PC BOARD EDGE. NO SOLDERMASK ALLOWED BETWEEN PC BOARD EDGE AND TRACE.

7. CONNECTOR ACCEPTS 2.36±0.13 THICK PC BOARD.

8. KEEP OUT AREA FOR COMPONENTS ONLY.

9. FEATURE REQUIRED FOR USE WITH LATCH.

10. CAUTION:
 LATCHES ARE INTENDED FOR RETENTION OF PC BOARD TO CONNECTOR. DO NOT ATTEMPT TO FULLY EJECT PC BOARD FROM CONNECTOR WHILE DISENGAGING LATCHES, DAMAGE TO LATCHES AND OR CONNECTOR MAY OCCUR.

11. RECOMMENDED GOLD FINGER LENGTH FOR RELIABLE CONTACT.

12. FOR DESIGN OBJECTIVES SEE 108-2301.

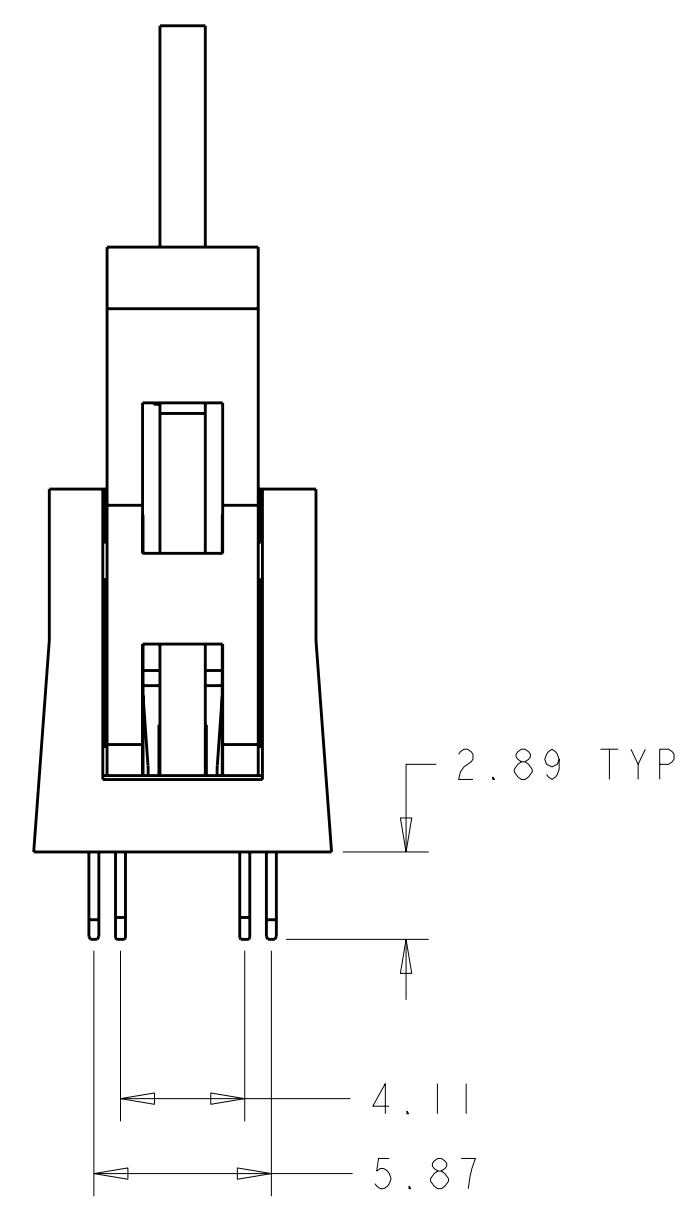
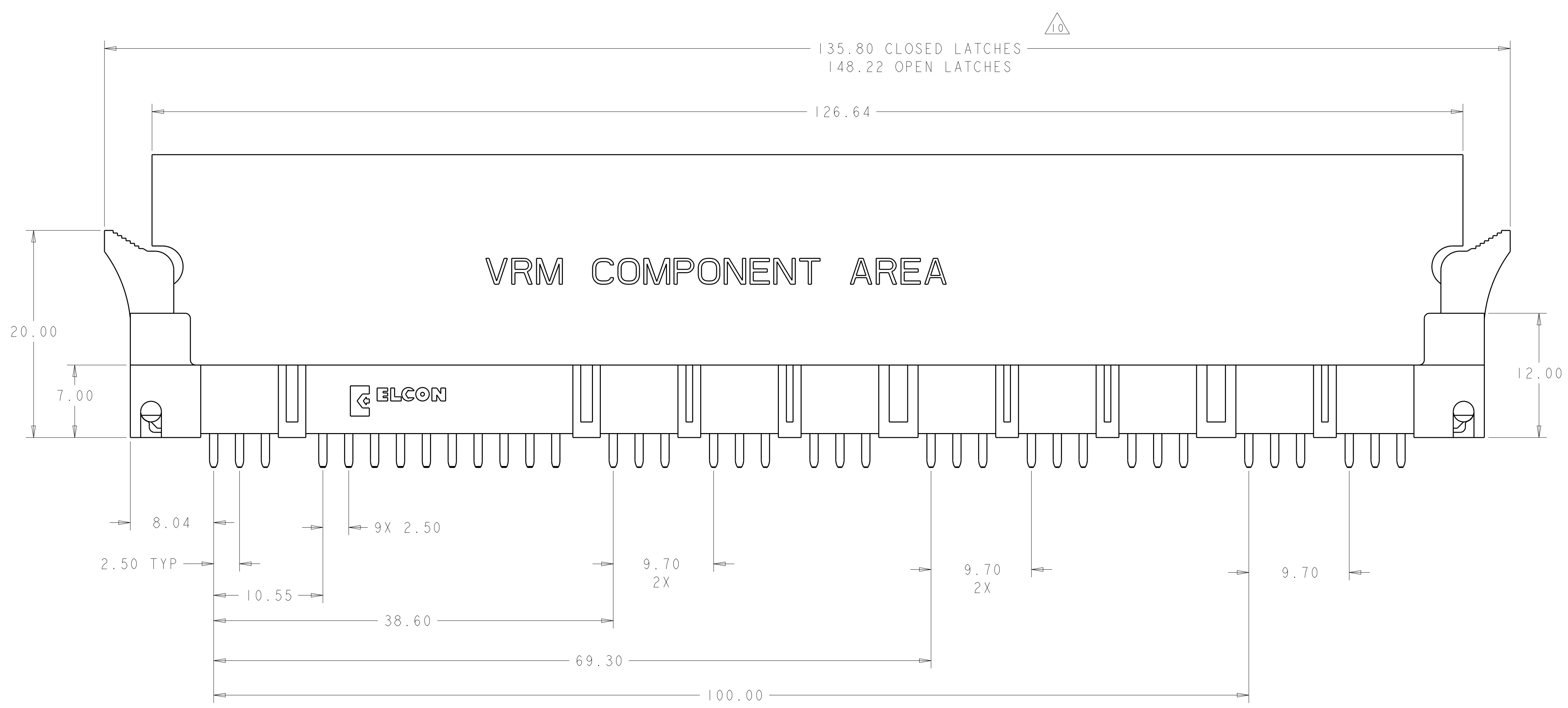
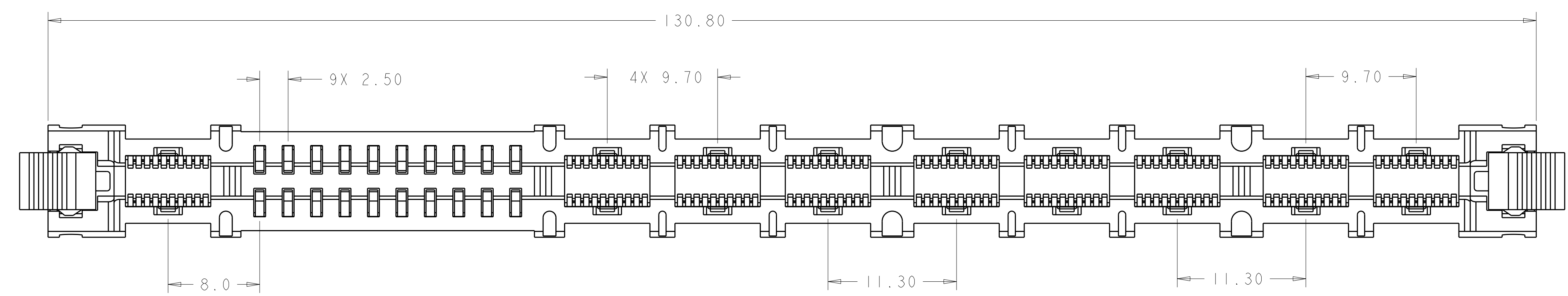
13. RECOMMENDED PRINTED CIRCUIT HOLE:
 FINISHED HOLE: $\varnothing 1.02 \pm 0.08$
 DRILLED HOLE: $\varnothing 1.15 \pm 0.013$
 COPPER PLATE: .025 MIN. (PER SURFACE)
 TIN PLATE: .008 MIN (PER SURFACE)

14. DATUMS AND BASIC DIMENSIONS ESTABLISHED BY CUSTOMER

AS SHOWN	1651864-1
DESCRIPTION	PART NO.

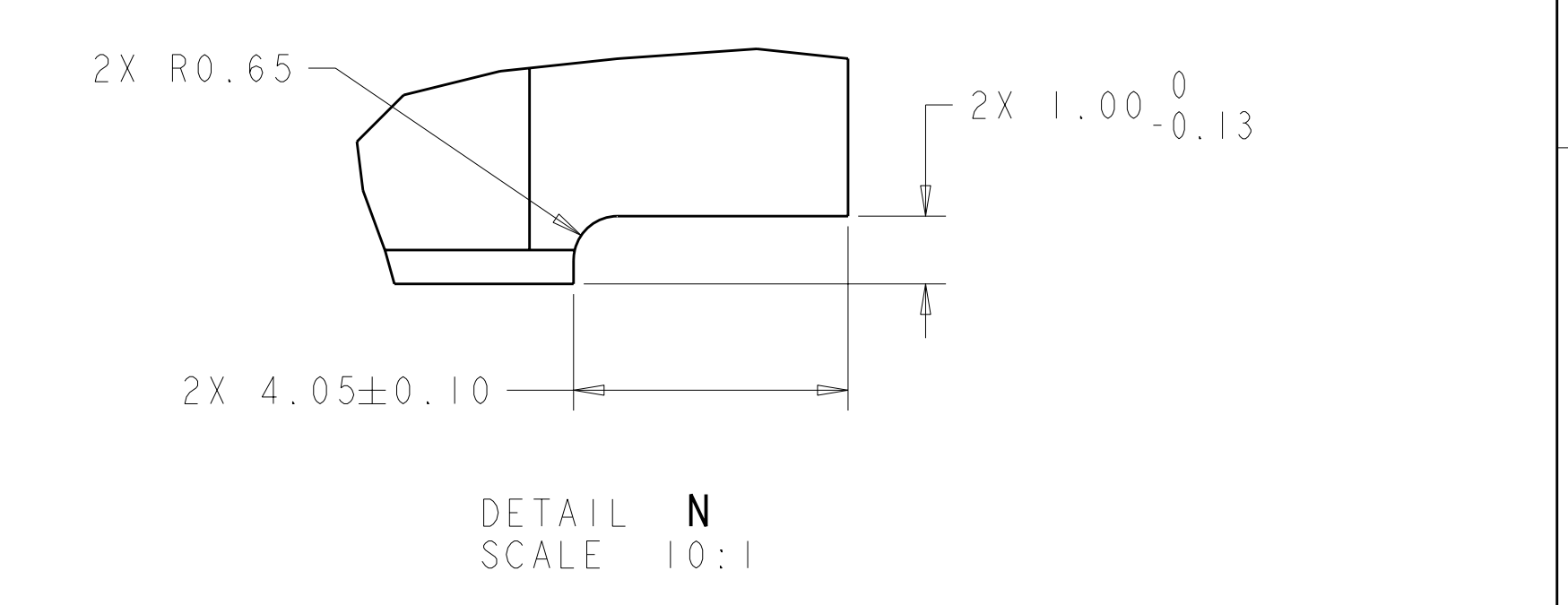
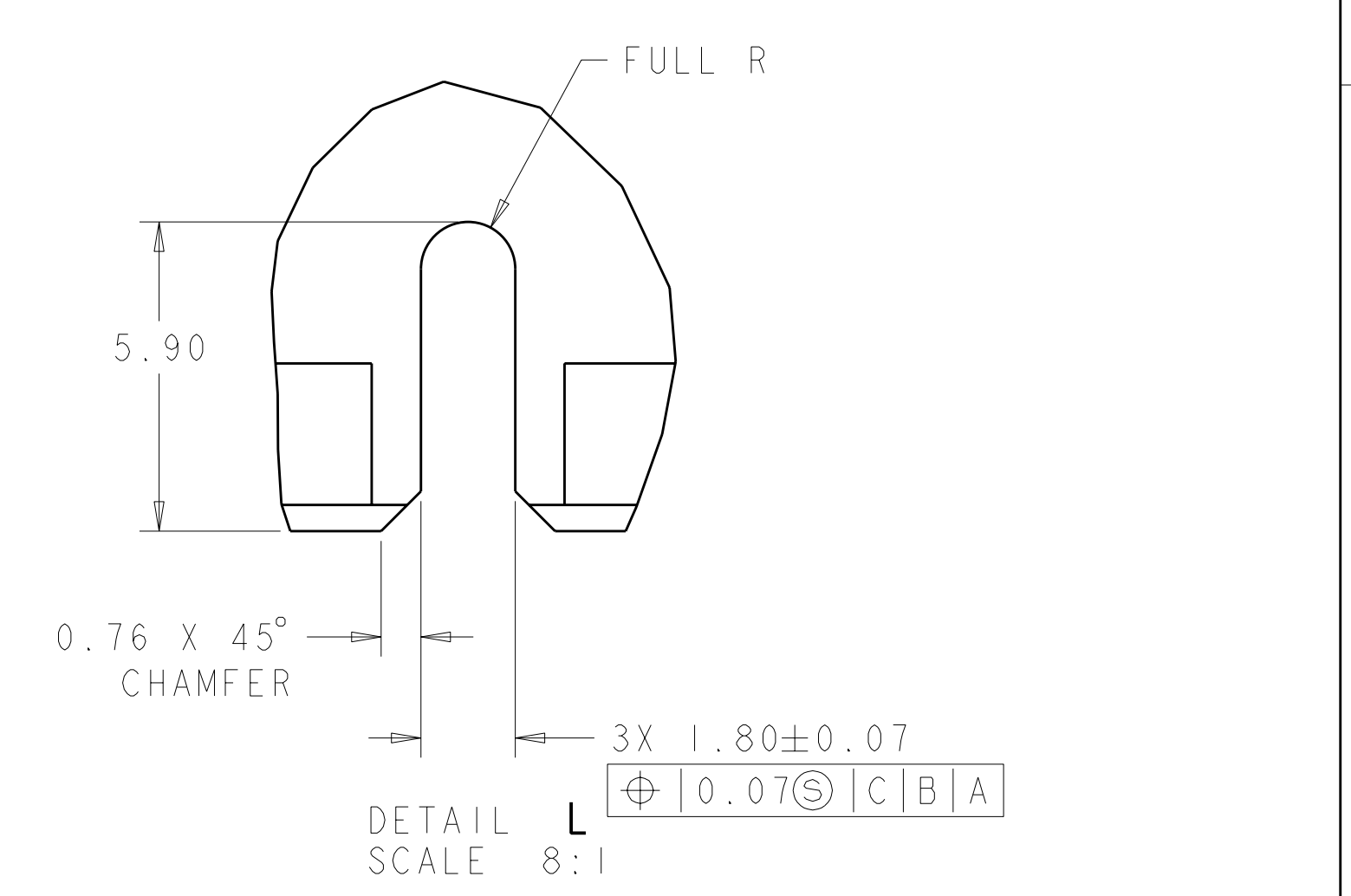
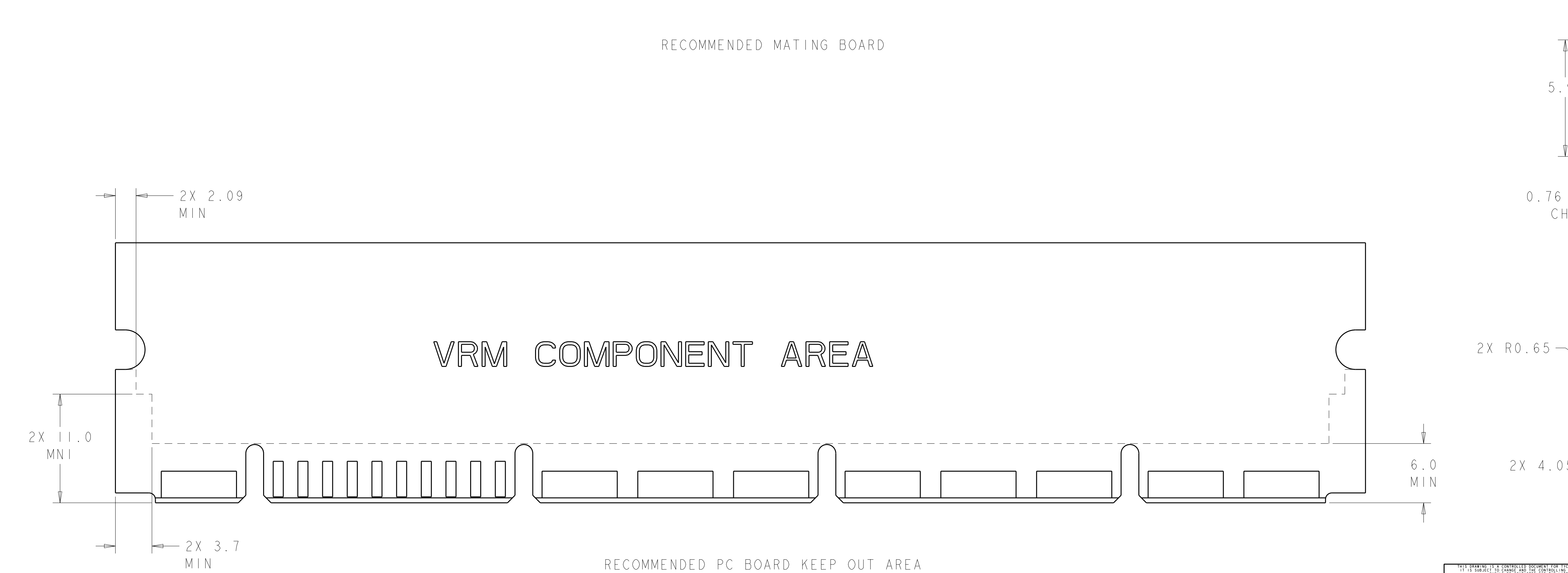
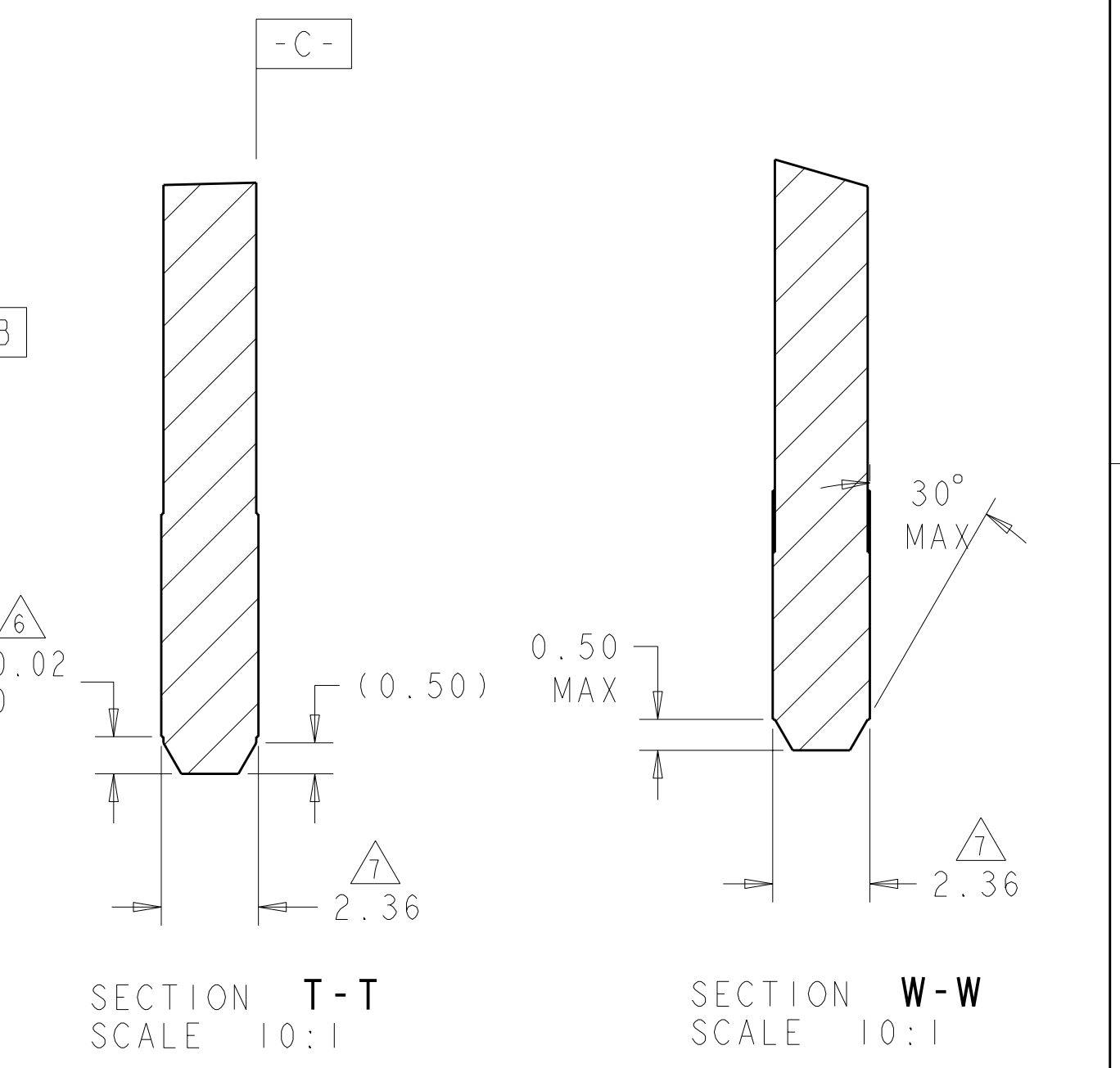
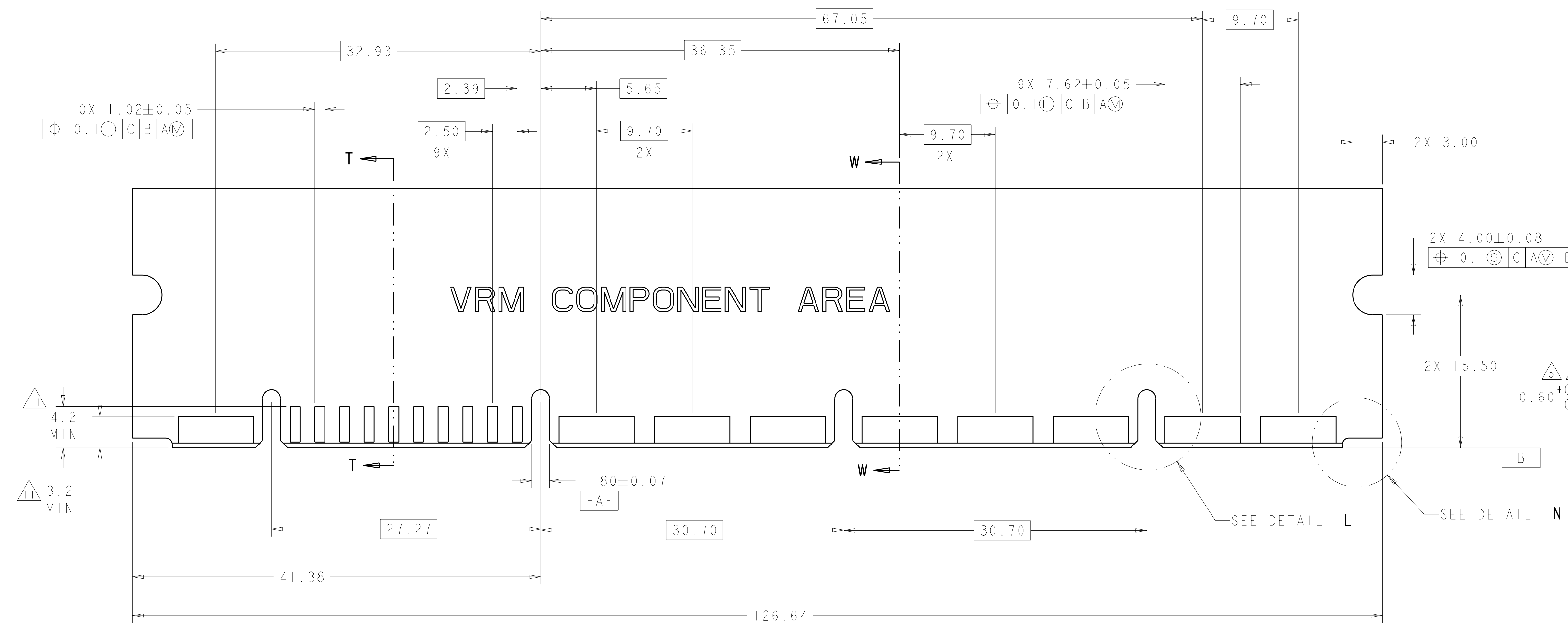
<small>THIS DRAWING IS UNPUBLISHED. RELEASED FOR PUBLICATION BY TYCO ELECTRONICS CORPORATION. ALL RIGHTS RESERVED.</small>		DWN: R. GRZYBOWSKI 08JAN2009 CHK: P. DAMATO 08JAN2009 APVD: M. PERCHERIE 08JAN2009	Tyco Electronics Harrisburg, PA 17105-3608
DIMENSIONS: mm 	TOLERANCES UNLESS OTHERWISE SPECIFIED: 9 PLC ±.5 1 PLC ±.5 2 PLC ±.25 3 PLC ±.5 4 PLC ±.5 ANGLES ±.5 FINISH	NAME: SOCKET CONNECTOR ASSEMBLY W/LATCHES MC-P9S10 PRODUCT SPEC APPLICATION SPEC	SIZE: A100779 CAGE CODE: C=1651864 DRAWING NO: 1651864-1 RESTRICTED TO:
MATERIAL: -	FINISH: -	WEIGHT: -	CUSTOMER DRAWING
SCALE: 4:1		SHEET 1 OF 4 REV: BI	

LOC	DIST	REVISIONS					
GP	00	P	LTR	DESCRIPTION	DATE	DWN	APVD
		-	-	SEE SHEET 1	-	-	-



<small>THIS DRAWING IS UNPUBLISHED. RELEASED FOR PUBLICATION 20. © COPYRIGHT 20 BY TYCO ELECTRONICS CORPORATION, ALL RIGHTS RESERVED.</small>		DWN: R. GRZYBOWSKI 08JAN2009 CHK: P. DAMATO 08JAN2009 APVD: M. PERCHERIE 08JAN2009	Tyco Electronics Harrisburg, PA 17105-3608
DIMENSIONS: mm 	TOLERANCES UNLESS OTHERWISE SPECIFIED: 0 PLC ±.5 1 PLC ±.5 2 PLC ±.25 3 PLC ±.5 4 PLC ±.5 ANGLES ±.5 FINISH	NAME: SOCKET CONNECTOR ASSEMBLY W/LATCHES MC-P9S10 PRODUCT SPEC: APPLICATION SPEC: WEIGHT: CUSTOMER DRAWING	SIZE: A1100779 CAGE CODE: C=1651864 SCALE: 4:1 SHEET: 2 OF 4 REV: B1

LOC	DIST	REV	DATE	BY	APPD
GP	00				
		DESCRIPTION	DATE	DWN	APPD
		SEE SHEET 1			



DIMENSIONS: mm 		TOLERANCES UNLESS OTHERWISE SPECIFIED: 9 PLC ±.5 1 PLC ±.5 2 PLC ±.25 3 PLC ±.5 4 PLC ±.5 ANGLES ±.5 FINISH		DWN: R. GRZYBOWSKI 08JAN2009 CHK: P. DAMATO 08JAN2009 APVD: M. PERCHERIE 08JAN2009 PRODUCT SPEC APPLICATION SPEC WEIGHT CUSTOMER DRAWING		Tyco Electronics Harrisburg, PA 17105-3608 NAME: SOCKET CONNECTOR ASSEMBLY W/LATCHES MC-P9S10 SIZE: A 00779 C=1651864 SCALE: 4:1 SHEET: 3 OF 4 REV: B1	
-----------------------	--	--	--	--	--	--	--

X-ON Electronics

Largest Supplier of Electrical and Electronic Components

Click to view similar products for [Standard Card Edge Connectors](#) category:

Click to view products by [TE Connectivity](#) manufacturer:

Other Similar products are found below :

[CR7E-30DB-3.96E\(72\)](#) [6364499-1](#) [6565204-6](#) [PKC-156](#) [1437274-4](#) [147889-1](#) [1489165-4](#) [EBT15622B2X](#) [1-582587-1](#) [284-0102-12100](#)
[286-0052-12101A](#) [306022901000000](#) [307-012-502-202](#) [307-056-520-300](#) [2129318-1](#) [245-062-520-350](#) [287-0032-12101](#) [306-028-525-102](#)
[307-072-526-202](#) [345-060-559-303](#) [392-008-559-201](#) [534671-1](#) [341-240-317](#) [345-044-500-300](#) [346-240-318](#) [395-100-524-300](#) [09-07-2032](#)
[10035388-802LF](#) [10115859-011LF](#) [10122859-009LF](#) [10127905-B04B24BLF](#) [530555-1](#) [5-678046-1](#) [73726-0005](#) [66308-1](#) [1-1437275-6](#)
[PEC-07-02-T-S-A](#) [346-014-520-801](#) [307-048-502-202](#) [CE100F22-9-C](#) [CE100F26-7-C](#) [CE100F28-3-D](#) [CE156F18-9-C](#) [CE156F22-5-D](#)
[CE156F22-9-C](#) [CT100F22-2-D](#) [CT100F22-3-D](#) [CT100F24-2-D](#) [CT100F24-3-D](#) [CT100F24-6-C](#)