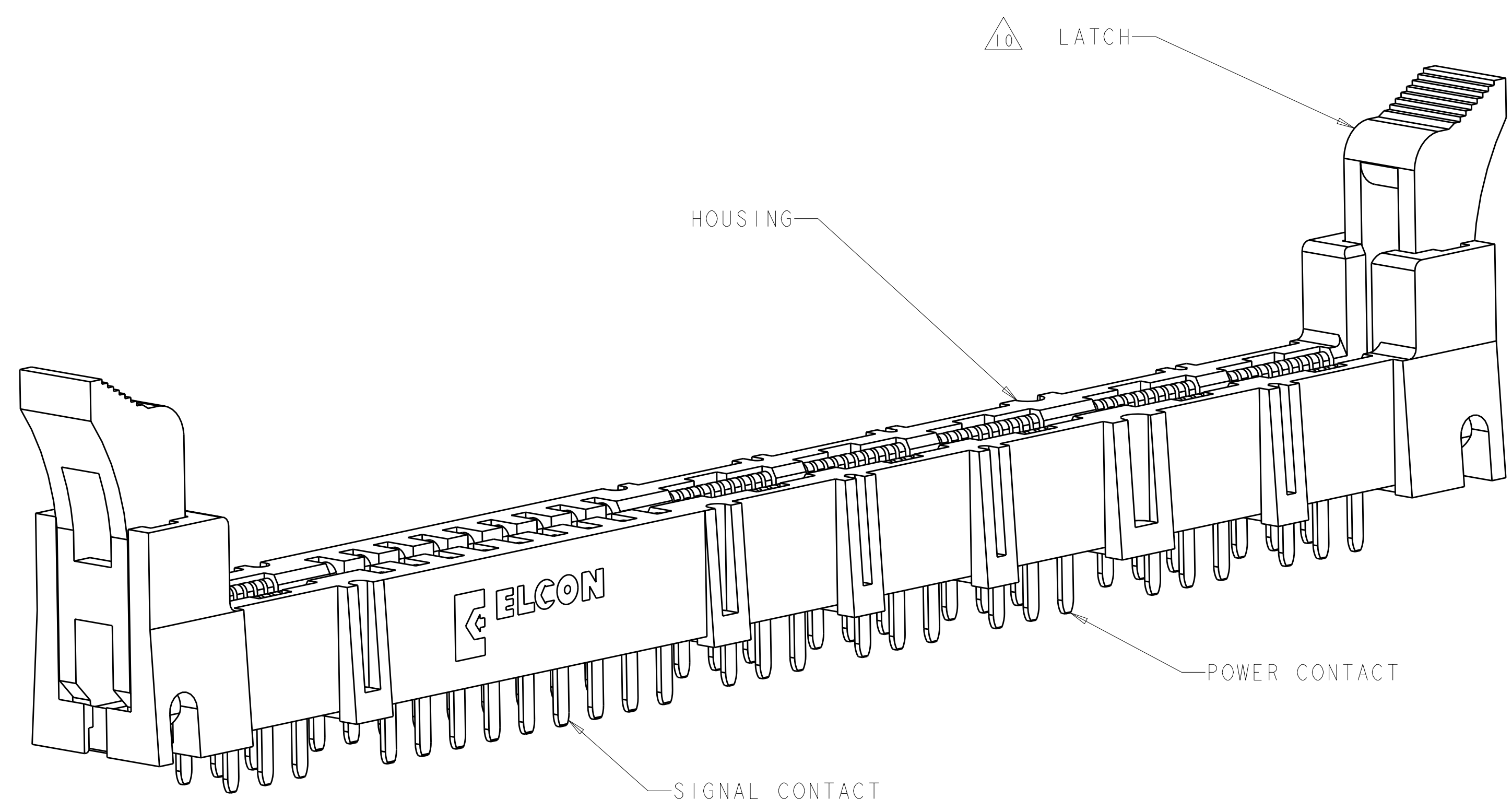


LOC	DIST	REVISIONS			
		REV	DATE	BY	APPD
GP	00	C	08JAN2009	RG	PD



1. PART NUMBER CHANGES AND OR DESIGN CHANGES AFFECTING ITEM INTERCHANGEABILITY REQUIRE PRIOR TYCO ELECTRONICS APPROVAL AND AUTHORIZATION BY REVISION TO THIS DRAWING.

△2 MATERIAL:
 HOUSING: GLASS FILLED POLYESTER, COLOR-BLACK
 UL94V-0 FLAMMABILITY RATED
 LATCHES: THERMOPLASTIC, GLASS REINFORCED
 COLOR: BLACK, UL94V-0 FLAMMABILITY RATED
 CONTACTS: COPPER ALLOY

△3 FINISH:
 CONTACTS:
 GOLD PLATE 0.76µm MIN THK. OVER
 NICKEL 1.27µm MIN THK.
 SOLDER TAILS - TIN PLATE 3.05µm MIN THK. OVER
 NICKEL 1.27µm MIN THK.

4. ITEMS PROVIDED TO THIS SPECIFICATION TO BE PERMANENTLY IDENTIFIED WITH PART NUMBER AND DATE CODE.

△5 MAXIMUM BURR OF 0.013 ON CARD TAB AREA.

△6 SET TRACE BACK FROM PC BOARD EDGE. NO SOLDERMASK ALLOWED BETWEEN PC BOARD EDGE AND TRACE.

△7 CONNECTOR ACCEPTS 1.57±0.13 THICK PC BOARD.

△8 KEEP OUT AREA FOR COMPONENTS ONLY.

△9 FEATURE REQUIRED FOR USE WITH LATCH.

△10 CAUTION:
 LATCHES ARE INTENDED FOR RETENTION OF PC BOARD TO CONNECTOR. DO NOT ATTEMPT TO FULLY EJECT PC BOARD FROM CONNECTOR WHILE DISENGAGING LATCHES, DAMAGE TO LATCHES AND OR CONNECTOR MAY OCCUR.

△11 RECOMMENDED GOLD FINGER LENGTH FOR RELIABLE CONTACT.

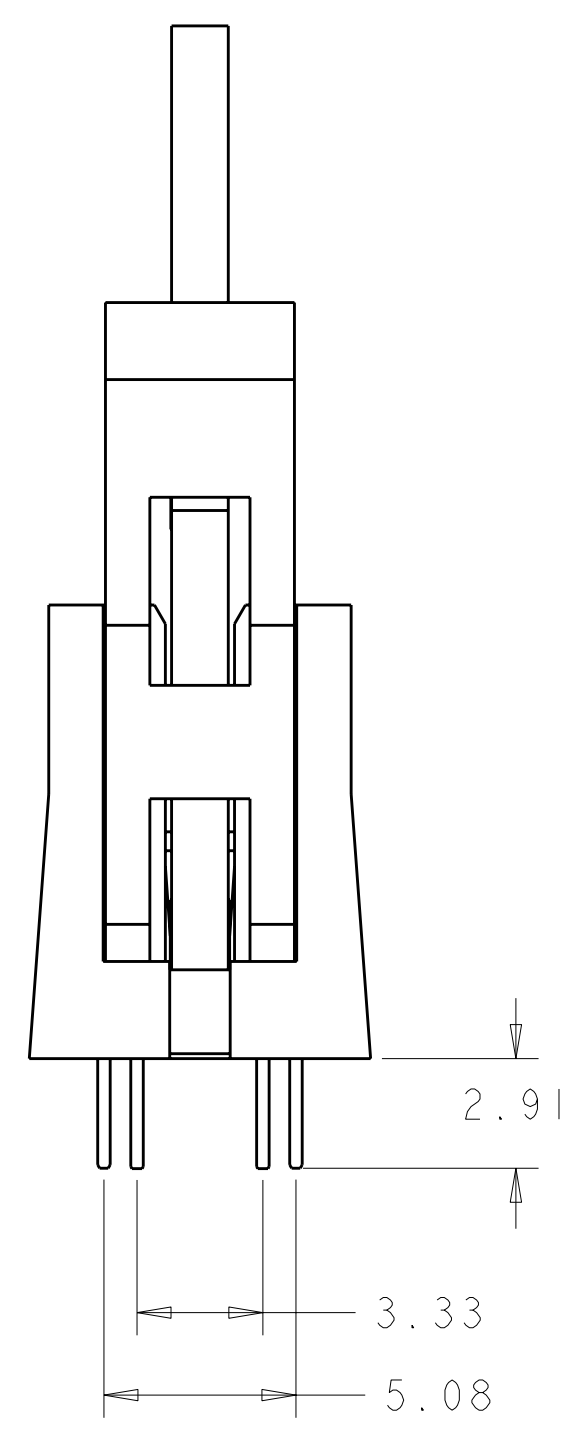
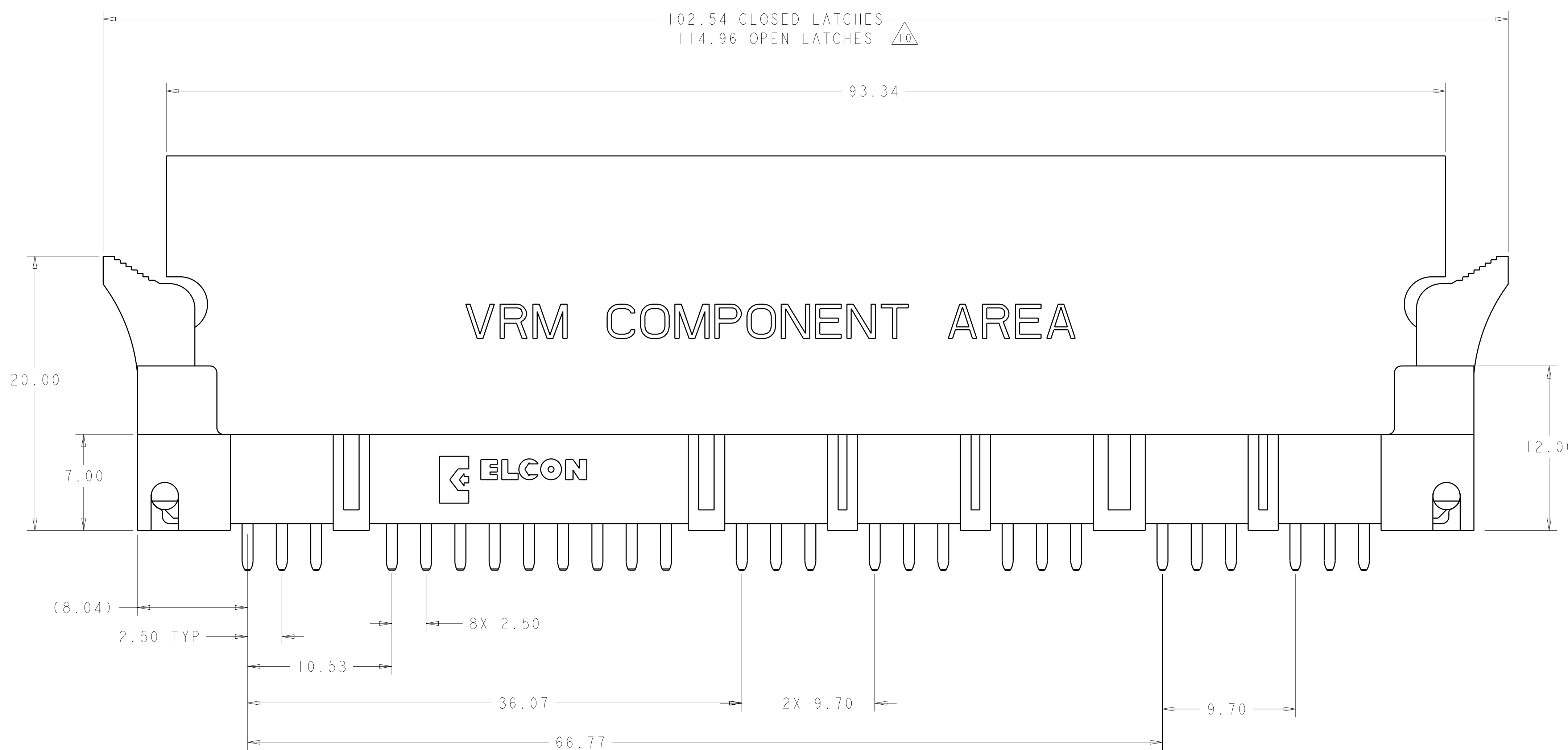
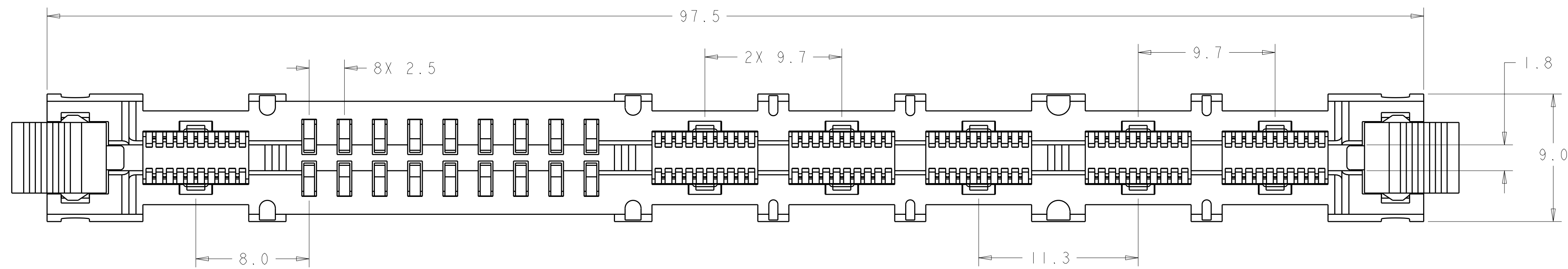
12. FOR DESIGN OBJECTIVES SEE 108-2301.

△13 RECOMMENDED PRINTED CIRCUIT HOLE:
 FINISHED HOLE: $\varnothing 1.02 \pm .08$
 DRILLED HOLE: $\varnothing 1.15 \pm .013$
 COPPER PLATE: .025 MIN. (PER SURFACE)
 TIN PLATE: .008 MIN (PER SURFACE)

AS SHOWN	1651929-1
DESCRIPTION	PART NO.

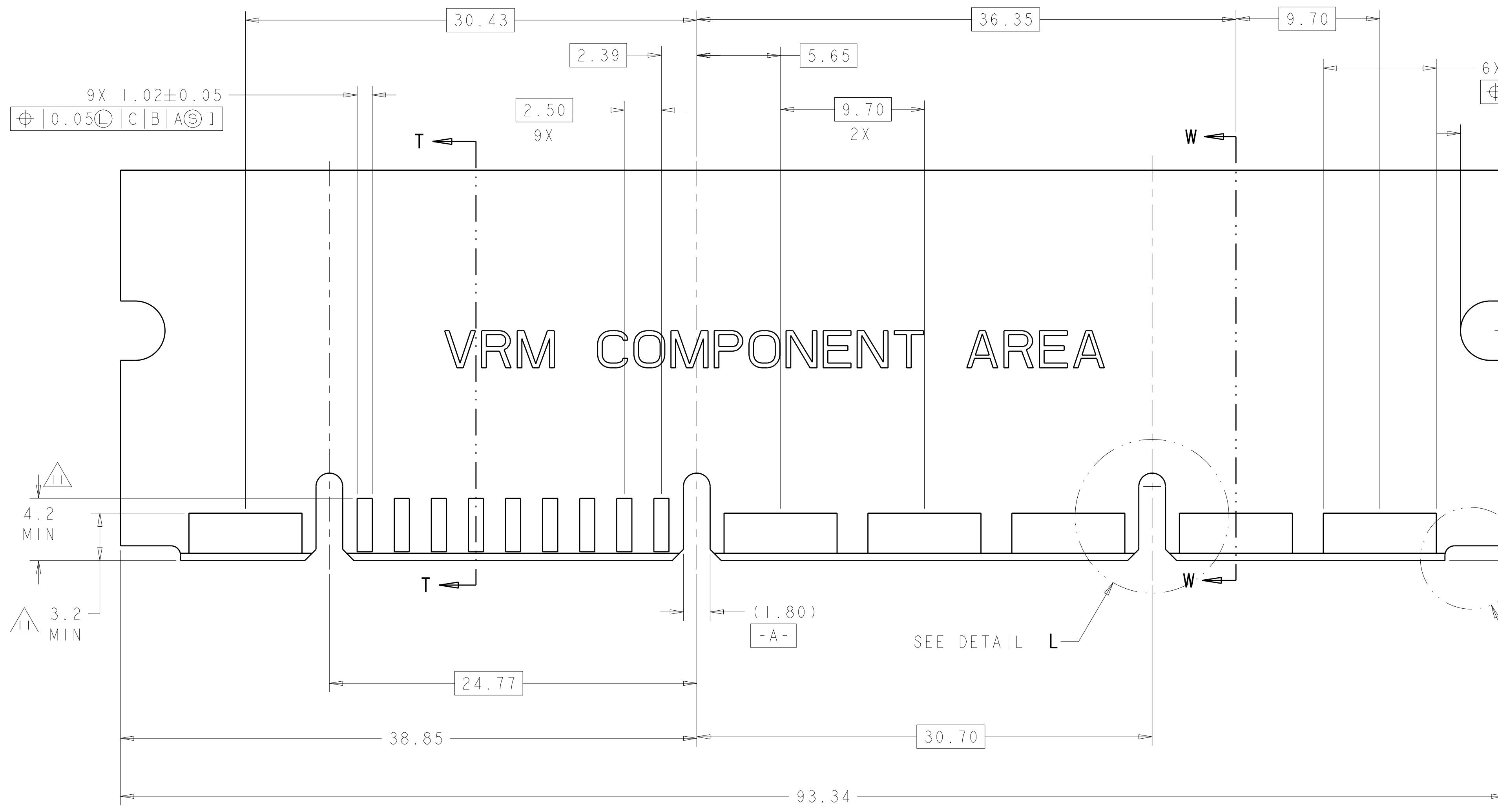
<small>THIS DRAWING IS UNPUBLISHED. RELEASED FOR PUBLICATION 20. THIS IS SUBJECT TO CHANGE WITHOUT NOTICE AND WITHOUT LIABILITY. THE USER SHALL BE RESPONSIBLE FOR THE LATEST REVISION.</small>		DWN: HA/GRZYBOWSKI 08JAN09 CHK: P.DAMATO 08JAN09 APVD: CHAU/PERCHERRE 08JAN09	Tyco Electronics Harrisburg, PA 17105-3608
DIMENSIONS: mm 	TOLERANCES UNLESS OTHERWISE SPECIFIED: 0 PLC ±.5 1 PLC ±.5 2 PLC ±.25 3 PLC ±.25 4 PLC ±.25 ANGLES ±0.0000 ±.5 FINISH ±.5	NAME: CHAU/PERCHERRE PRODUCT SPEC: APPLICATION SPEC: WEIGHT: CUSTOMER DRAWING	Tyco Electronics SOCKET CONNECTOR ASSEMBLY SHORT TAILS W/LATCHES MC-P6S9 MINI CROWN EDGE SIZE: A1100779 C=1651929 SCALE: 5:1 SHEET 1 OF 4 REV C

LOC	DIST	REVISIONS					
GP	00	P	LTR	DESCRIPTION	DATE	DWN	APVD
-	-	-	-	SEE SHEET 1	-	-	-



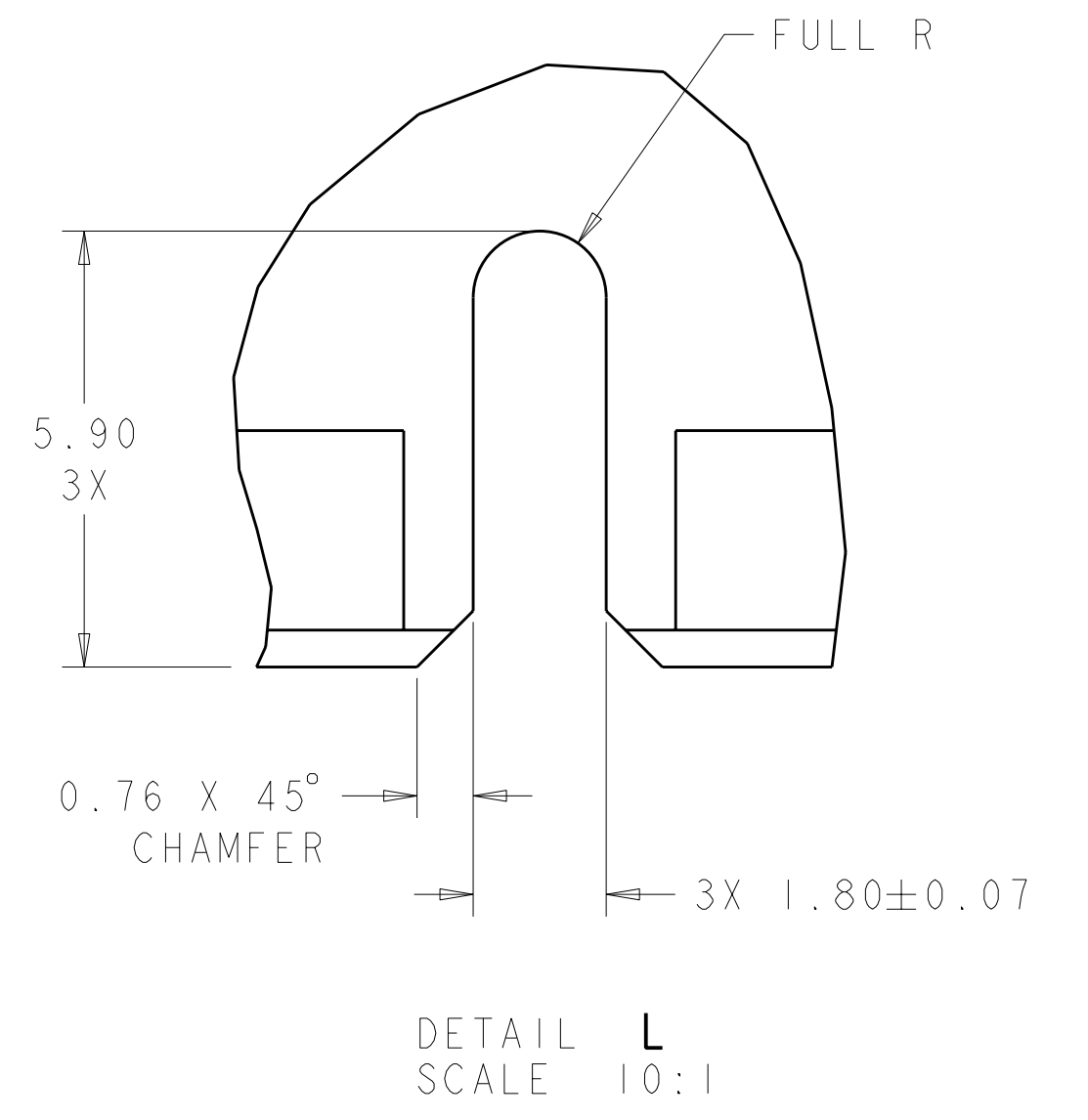
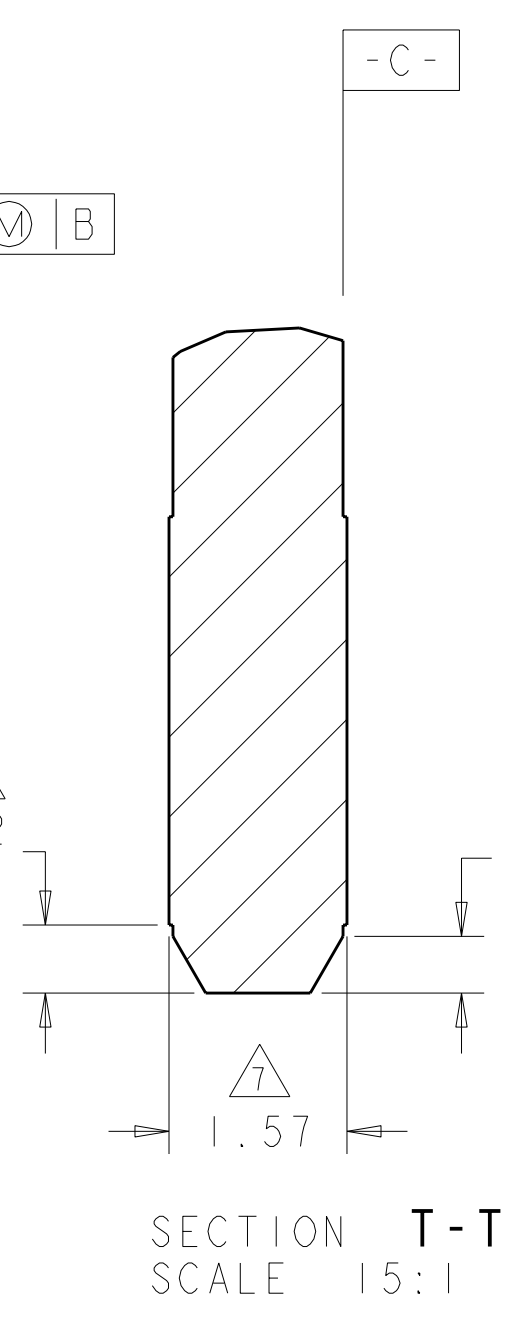
<small>THIS DRAWING IS A CONTROLLED DOCUMENT AND IS THE PROPERTY OF TYCO ELECTRONICS CORPORATION. IT IS SUBJECT TO CHANGE WITHOUT NOTICE AND WITHOUT OBLIGATION. REVISED EDITIONS WILL BE CONTACTED FOR THE LATEST REVISION.</small>		DWN: HA/GRZYBOWSKI 08JAN09 CHK: P.DAMATO 08JAN09 APVD: CHAU/PERCHERRE 08JAN09	Tyco Electronics Harrisburg, PA 17105-3608
DIMENSIONS: mm 	TOLERANCES UNLESS OTHERWISE SPECIFIED: 9 PLC ±.5 1 PLC ±.5 3 PLC ±.25 5 PLC ±.5 4 PLC ±0.0000 ANGLES ±.5 FINISH	NAME: SOCKET CONNECTOR ASSEMBLY SHORT TAILS W/LATCHES MC-P6S9 MINI CROWN EDGE APPLICATION SPEC:	SIZE: A CAGE CODE: 100779 DRAWING NO: C-1651929 RESTRICTED TO:
MATERIAL: -	FINISH: -	WEIGHT: -	SCALE: 5:1 SHEET 2 OF 4 REV C
CUSTOMER DRAWING			

LOC	DIST	REV	DATE	BY	APPD
GP	00				

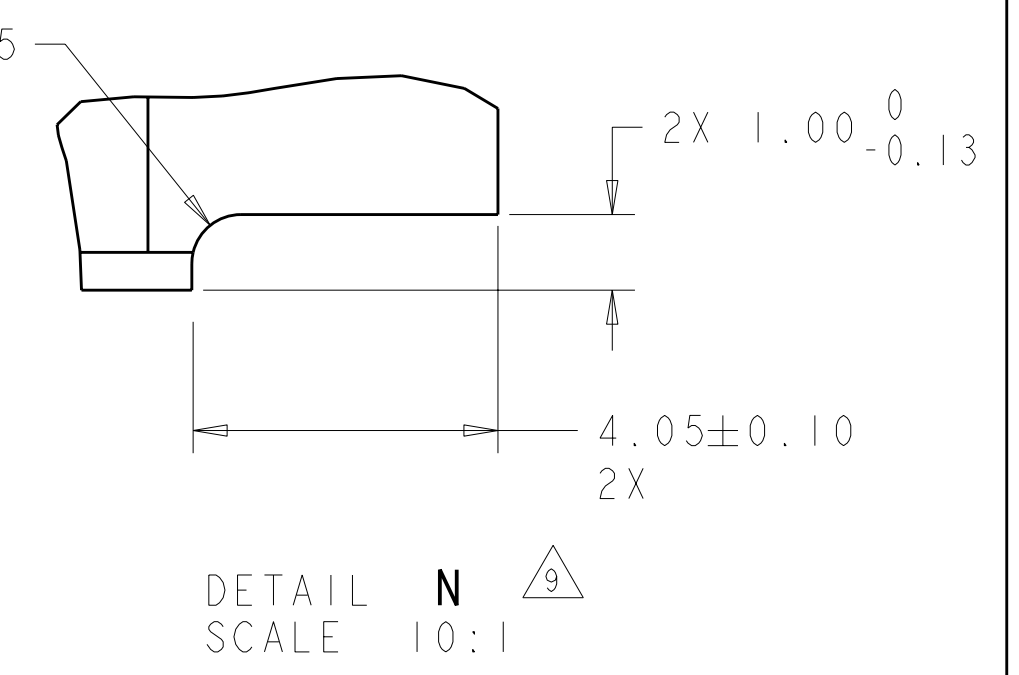
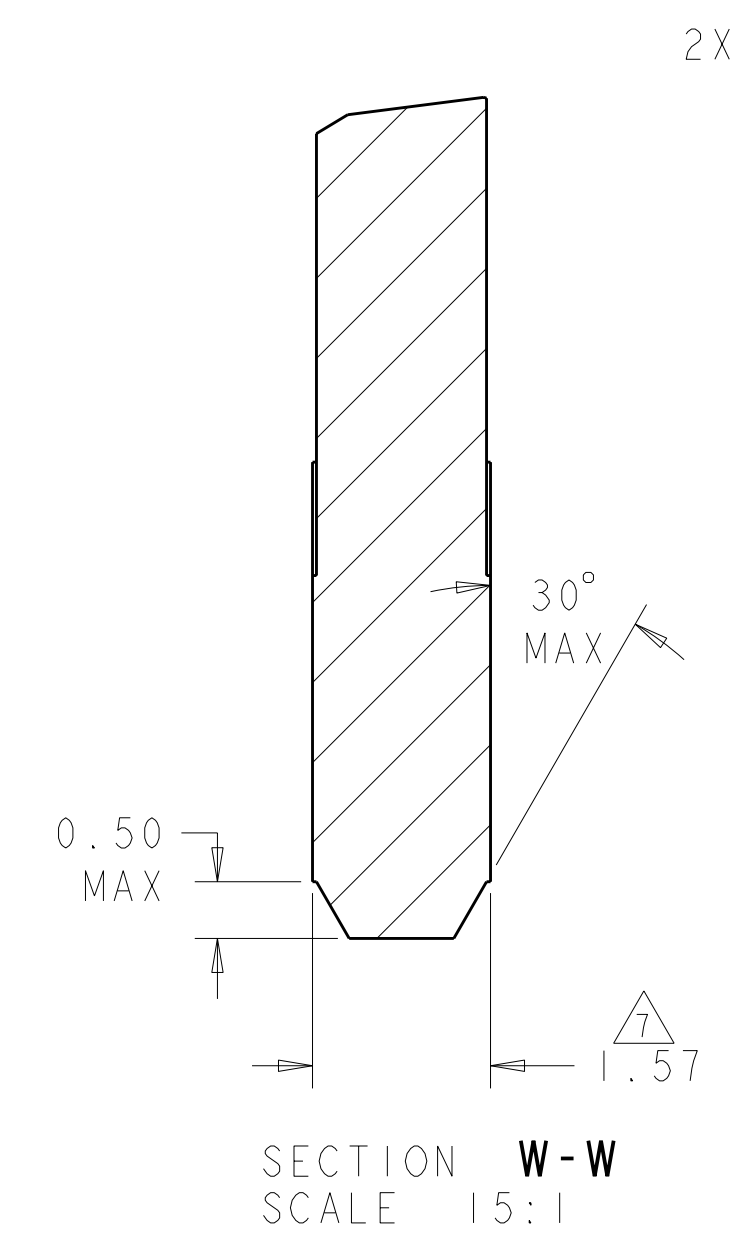
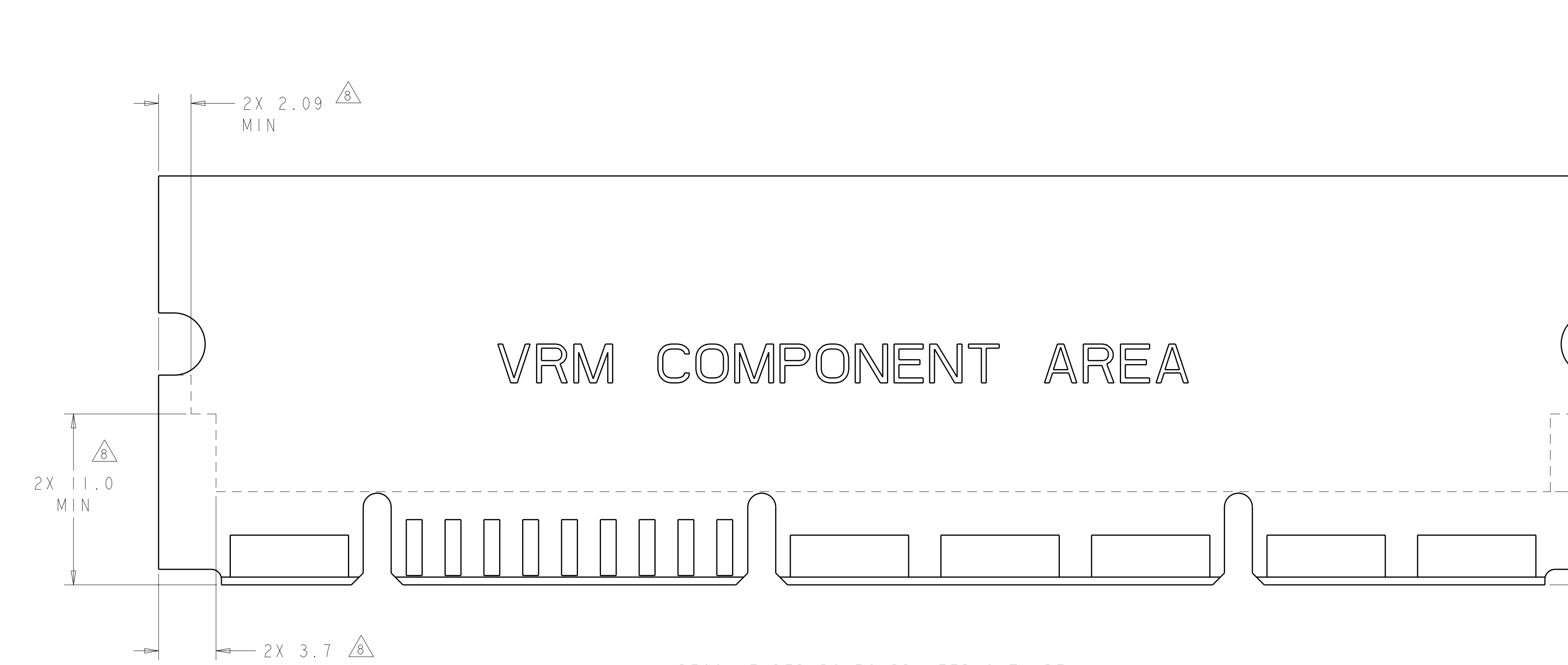


6X 7.62±0.05
 ⊕ 0.10 ⊖ 0.05 | C | B | A ⊕ J

2X 4.00±0.08
 ⊕ 0.10 ⊖ 0.05 | C | A ⊕ M | B



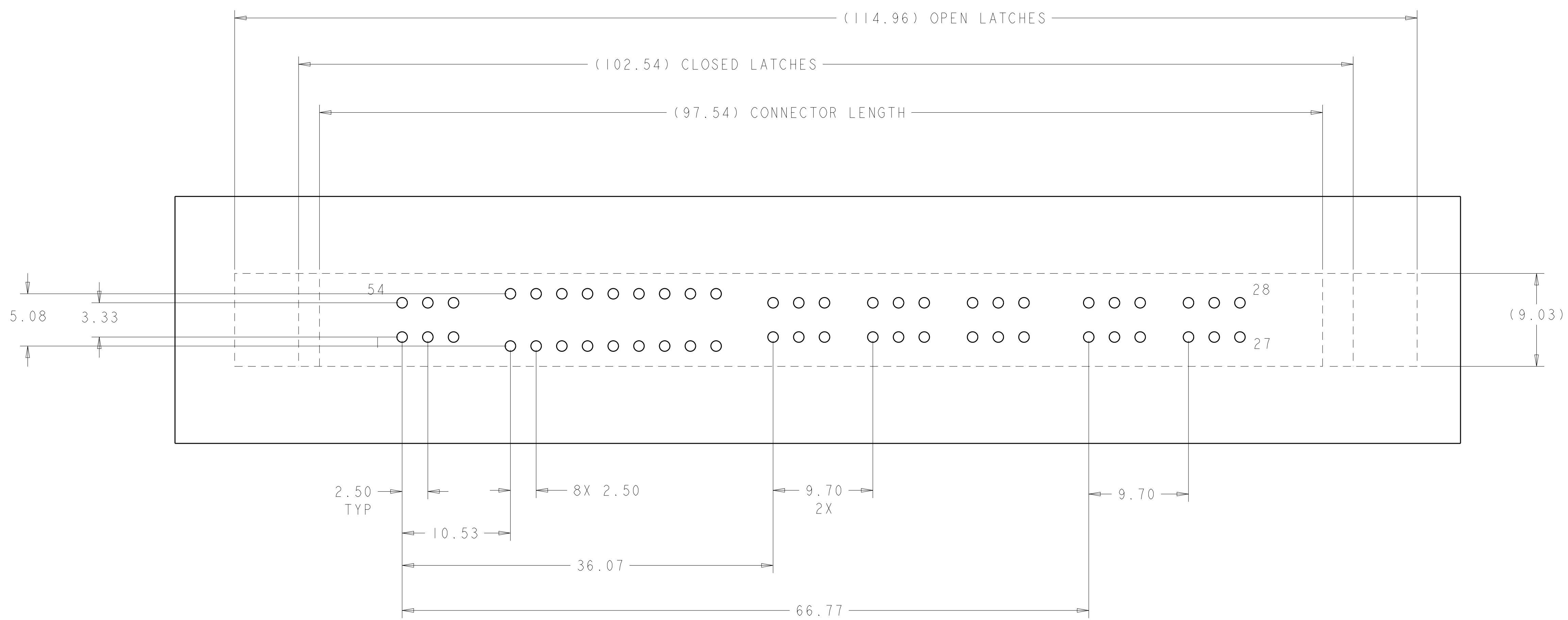
RECOMMENDED MATING BOARD



RECOMMENDED PC BOARD KEEP OUT AREA

DIMENSIONS: mm TOLERANCES UNLESS OTHERWISE SPECIFIED: 9 PLC ±.5 1 PLC ±.5 5 PLC ±.25 4 PLC ±.0000 ANGLES ±.5 FINISH		DWN: HA/GRZYBOWSKI 08JAN09 CHK: P.DAMATO 08JAN09 APVD: CHAU/PERCHERRE 08JAN09 PRODUCT SPEC: - APPLICATION SPEC: - WEIGHT: - CUSTOMER DRAWING		Tyco Electronics Harrisburg, PA 17105-3608 NAME: SOCKET CONNECTOR ASSEMBLY SHORT TAILS W/LATCHES MC-P6S9 MINI CROWN EDGE SIZE: A 00779 C=1651929 SCALE: 5:1 SHEET 3 OF 4 REV C	
--	--	--	--	--	--

LOC	DIST	REVISIONS			
GP	00	REV	DATE	BY	APPD
-	-	SEE SHEET 1	-	-	-



RECOMMENDED P.C. BOARD GUIDELINE
 AS VIEWED FROM CONNECTOR SIDE

<small>THIS DRAWING IS UNPUBLISHED. RELEASED FOR PUBLICATION 20 © COPYRIGHT 20 BY TYCO ELECTRONICS CORPORATION, ALL RIGHTS RESERVED.</small>		DWN HA/GRZYBOWSKI 08JAN09 CHK P.DAMATO 08JAN09 APVD CHAU/PERCHERRE 08JAN09	Tyco Electronics Harrisburg, PA 17105-3608
DIMENSIONS: mm 	TOLERANCES UNLESS OTHERWISE SPECIFIED: 9 PLC ±.5 1 PLC ±.5 2 PLC ±.25 3 PLC ±.5 4 PLC ±.5 ANGLES ±.0000 FINISH ±.5	NAME PRODUCT SPEC APPLICATION SPEC WEIGHT CUSTOMER DRAWING	SOCKET CONNECTOR ASSEMBLY SHORT TAILS W/LATCHES MC-P6S9 MINI CROWN EDGE SIZE CAGE CODE DRAWING NO A100779C-1651929 SCALE 5:1 SHEET 4 OF 4 REV C

X-ON Electronics

Largest Supplier of Electrical and Electronic Components

Click to view similar products for [Standard Card Edge Connectors](#) category:

Click to view products by [TE Connectivity](#) manufacturer:

Other Similar products are found below :

[CR7E-30DB-3.96E\(72\)](#) [6364499-1](#) [6565204-6](#) [PKC-156](#) [1437274-4](#) [147889-1](#) [1489165-4](#) [EBT15622B2X](#) [1-582587-1](#) [284-0102-12100](#)
[286-0052-12101A](#) [306022901000000](#) [307-012-502-202](#) [307-056-520-300](#) [2129318-1](#) [245-062-520-350](#) [287-0032-12101](#) [306-028-525-102](#)
[307-072-526-202](#) [345-060-559-303](#) [392-008-559-201](#) [534671-1](#) [341-240-317](#) [345-044-500-300](#) [346-240-318](#) [395-100-524-300](#) [09-07-2032](#)
[10035388-802LF](#) [10115859-011LF](#) [10122859-009LF](#) [10127905-B04B24BLF](#) [530555-1](#) [5-678046-1](#) [73726-0005](#) [66308-1](#) [1-1437275-6](#)
[PEC-07-02-T-S-A](#) [346-014-520-801](#) [307-048-502-202](#) [CE100F22-9-C](#) [CE100F26-7-C](#) [CE100F28-3-D](#) [CE156F18-9-C](#) [CE156F22-5-D](#)
[CE156F22-9-C](#) [CT100F22-2-D](#) [CT100F22-3-D](#) [CT100F24-2-D](#) [CT100F24-3-D](#) [CT100F24-6-C](#)