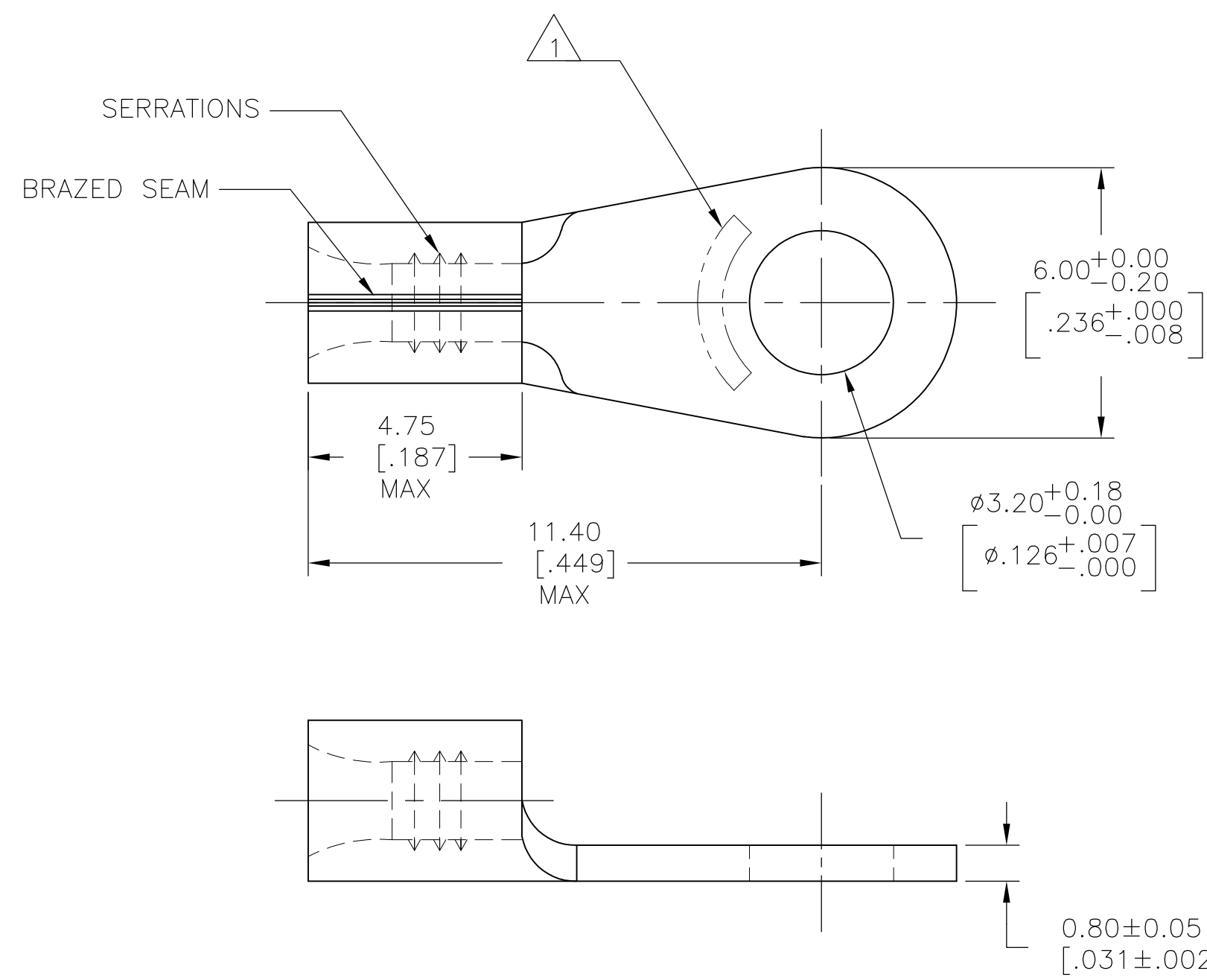


THIS DRAWING IS UNPUBLISHED. RELEASED FOR PUBLICATION
 © COPYRIGHT - By - ALL RIGHTS RESERVED.

| LOC | DIST | REVISIONS | | | |
|-----|------|-------------|---------------------------|-----------|-------|
| P | LTR | DESCRIPTION | DATE | DWN | APVD |
| G | 01 | D1 | REDRAWN PER ECO-14-019282 | 31DEC2014 | NK DR |



- 1 STAMP "AMP 3-1" APPROX AS SHOWN.
- 2 MATERIAL: COPPER PER ASTM B152, ANNEALED
- 3 FINISH: 0.0030[.000120] MIN EXT. THK. PER ASTM B545.

| | | |
|------|--------------|-------------|
| 1000 | LOOSE PIECE | 165291 |
| QTY | PACKAGE TYPE | PART NUMBER |

| | | | | | | | | |
|---|--|-------------------------------|-----------------|------------------|---------------------|-----------------|--------------|--------|
| THIS DRAWING IS A CONTROLLED DOCUMENT. | | DWN NAGALAKSHMI K 24DEC2014 | TE Connectivity | | | | | |
| DIMENSIONS: mm [INCHES] | | CHK ROHDE DANIEL F 24DEC2014 | | | | | | |
| TOLERANCES UNLESS OTHERWISE SPECIFIED: | | APVD ROHDE DANIEL F 24DEC2014 | | | | | | |
| 0 PLC ± - 1 PLC ± - 2 PLC ± - 3 PLC ± - 4 PLC ± - ANGLES ± - | | NAME RING TONGUE STUD M3 | | | | | | |
| TYPE -DIN- SOLISTRAND | | PRODUCT SPEC - | SIZE A3 | CAGE CODE 00779 | DRAWING NO C-165291 | RESTRICTED TO - | | |
| WIRE RANGE 0.5-1.0 mm2 (987-1974 CMA) | | MATERIAL 2 | FINISH 3 | CUSTOMER DRAWING | | SCALE 8:1 | SHEET 1 OF 1 | REV D1 |

X-ON Electronics

Largest Supplier of Electrical and Electronic Components

Click to view similar products for [Terminals](#) category:

Click to view products by [TE Connectivity](#) manufacturer:

Other Similar products are found below :

[00-054007-01074-6](#) [00-054007-70206-1](#) [00-054007-70210-8](#) [00-054007-70217-7](#) [00-054007-70226-9](#) [00-054007-70228-3](#) [00-054007-70248-1](#) [00-054007-70256-6](#) [00-054007-70301-3](#) [00-054007-70316-7](#) [00-054007-49560-4](#) [00-054007-70209-2](#) [00-054007-70225-2](#) [00-054007-70227-6](#) [00-054007-70231-3](#) [00-054007-70241-2](#) [00-054007-70242-9](#) [00-054007-70244-3](#) [00-054007-70246-7](#) [00-054007-70263-4](#) [00-054007-70288-7](#) [00-054007-70290-0](#) [00-054007-70300-6](#) [00-054007-70304-4](#) [01-2065-1-0216](#) [01-2900-1-04412](#) [00581P0075](#) [600TS-10](#) [60205-1](#) [604200-1](#) [605601-1](#) [60598-1-CUT-TAPE](#) [61314-6-C](#) [61810-3](#) [61-S](#) [61-SN](#) [626-0194](#) [62-NBM-A](#) [62-SN](#) [62-SP](#) [63-S](#) [640179-1](#) [M55155/059I03](#) [M55155/079C01](#) [M55155/099H02](#) [M55155/109H01](#) [M55155/109H02](#) [M55155/12XH05](#) [M55155/16XH02](#) [M55155/29-5S](#)