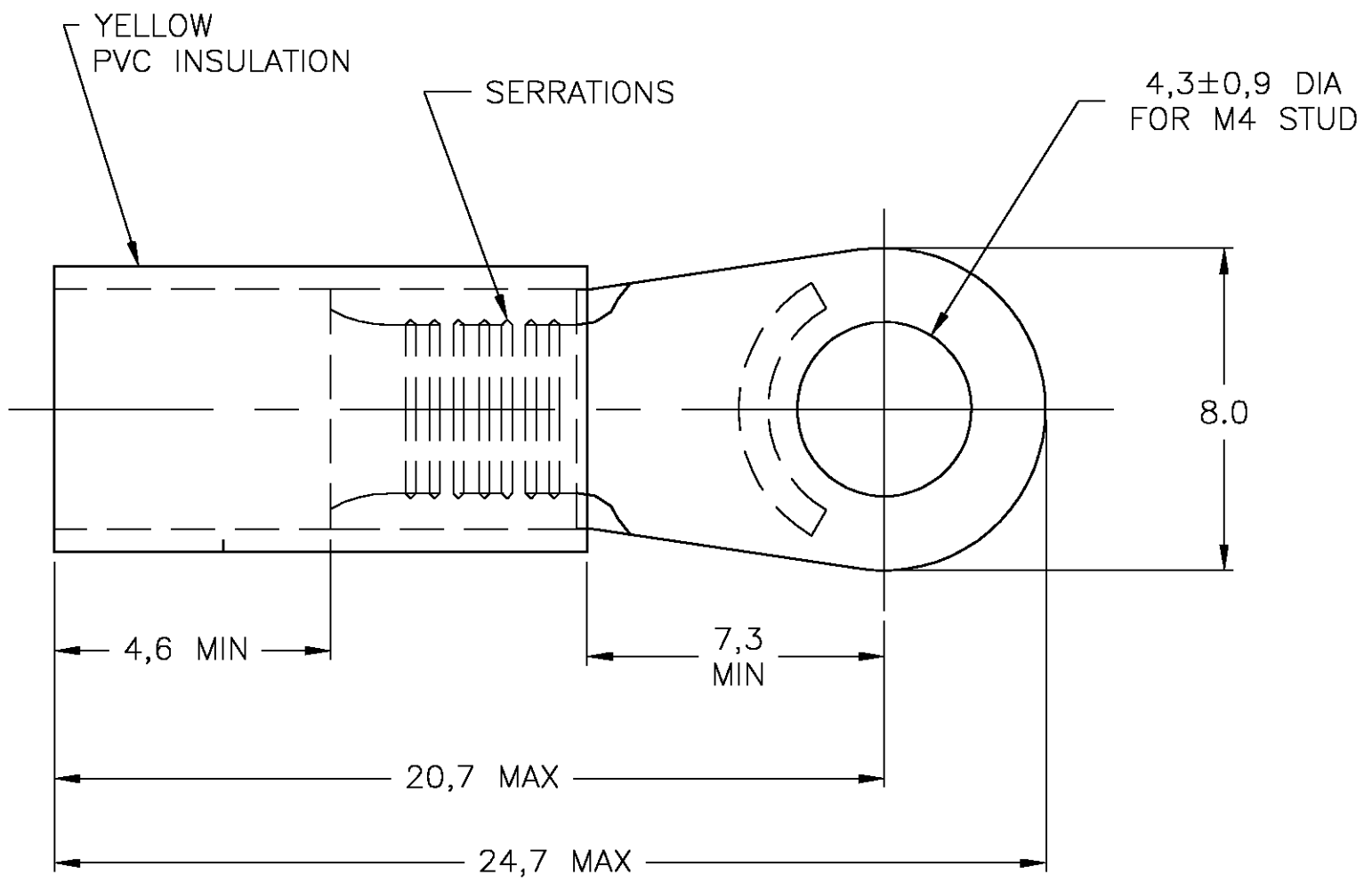


THIS DRAWING IS UNPUBLISHED. RELEASED FOR PUBLICATION  
 © COPYRIGHT BY TYCO ELECTRONICS CORPORATION. ALL RIGHTS RESERVED.

| LOC | DIST | REVISIONS   |                      |         |          |
|-----|------|-------------|----------------------|---------|----------|
| P   | LTR  | DESCRIPTION | DATE                 | DWN     | APVD     |
| H   | 02   | E           | REV PER 0G3A-0323-04 | 12MAY04 | JR<br>TM |

- 1 TONGUE MATERIAL THK IS 1.0
- 2 INSULATION RANGE, 5,6 MAX DIA



165412-0  
 PART NO.

|  |  |                                 |   |                    |                        |
|--|--|---------------------------------|---|--------------------|------------------------|
| THIS DRAWING IS A CONTROLLED DOCUMENT.   |  | DWN<br>jr_ruth<br>12MAY04       | Tyco Electronics Corporation<br>Harrisburg, Pa 17105-3608 |                    |                        |
| DIMENSIONS:<br>mm  |  | CHK<br>T MICHELUTTI<br>12MAY04  |   |                    |                        |
|  |  | APVD<br>T MICHELUTTI<br>12MAY04 | NAME<br>RING TONGUE, PLASTI-GRIP,<br>WIRE SIZE: 4-6mm     |                    |                        |
| TOLERANCES UNLESS OTHERWISE SPECIFIED:   |  | PRODUCT SPEC                    | APPLICATION SPEC  |                    |                        |
| 0 PLC ± -<br>1 PLC ± 0,2<br>2 PLC ± 0,2<br>3 PLC ± -<br>4 PLC ± -<br>ANGLES ± 1° |  | WEIGHT                          | SIZE<br>A3  | CAGE CODE<br>00779 | DRAWING NO<br>C-165412 |
| MATERIAL<br>COPPER   |  | FINISH<br>TIN PLATED            | RESTRICTED TO   |                    |                        |
| CUSTOMER DRAWING   |  |                                 | SCALE<br>6:1  | SHEET<br>1 OF 1    | REV<br>E               |

## X-ON Electronics

Largest Supplier of Electrical and Electronic Components

*Click to view similar products for [Terminals](#) category:*

*Click to view products by [TE Connectivity](#) manufacturer:*

Other Similar products are found below :

[00-054007-01074-6](#) [00-054007-70206-1](#) [00-054007-70210-8](#) [00-054007-70217-7](#) [00-054007-70226-9](#) [00-054007-70228-3](#) [00-054007-70248-1](#) [00-054007-70256-6](#) [00-054007-70301-3](#) [00-054007-70316-7](#) [0-0320562-0](#) [00-054007-49560-4](#) [00-054007-70209-2](#) [00-054007-70225-2](#) [00-054007-70227-6](#) [00-054007-70231-3](#) [00-054007-70241-2](#) [00-054007-70242-9](#) [00-054007-70244-3](#) [00-054007-70246-7](#) [00-054007-70263-4](#) [00-054007-70288-7](#) [00-054007-70290-0](#) [00-054007-70300-6](#) [00-054007-70304-4](#) [01-2065-1-0216](#) [01-2900-1-04412](#) [00581P0075](#) [600TS-10](#) [60205-1](#) [604200-1](#) [605601-1](#) [60598-1-CUT-TAPE](#) [61314-6-C](#) [61810-3](#) [61-S](#) [61-SN](#) [626-0194](#) [62-NBM-A](#) [62-SN](#) [62-SP](#) [63-S](#) [640179-1](#) [M55155/059I03](#) [M55155/079C01](#) [M55155/099H02](#) [M55155/109H01](#) [M55155/109H02](#) [M55155/12XH05](#) [M55155/16XH02](#)