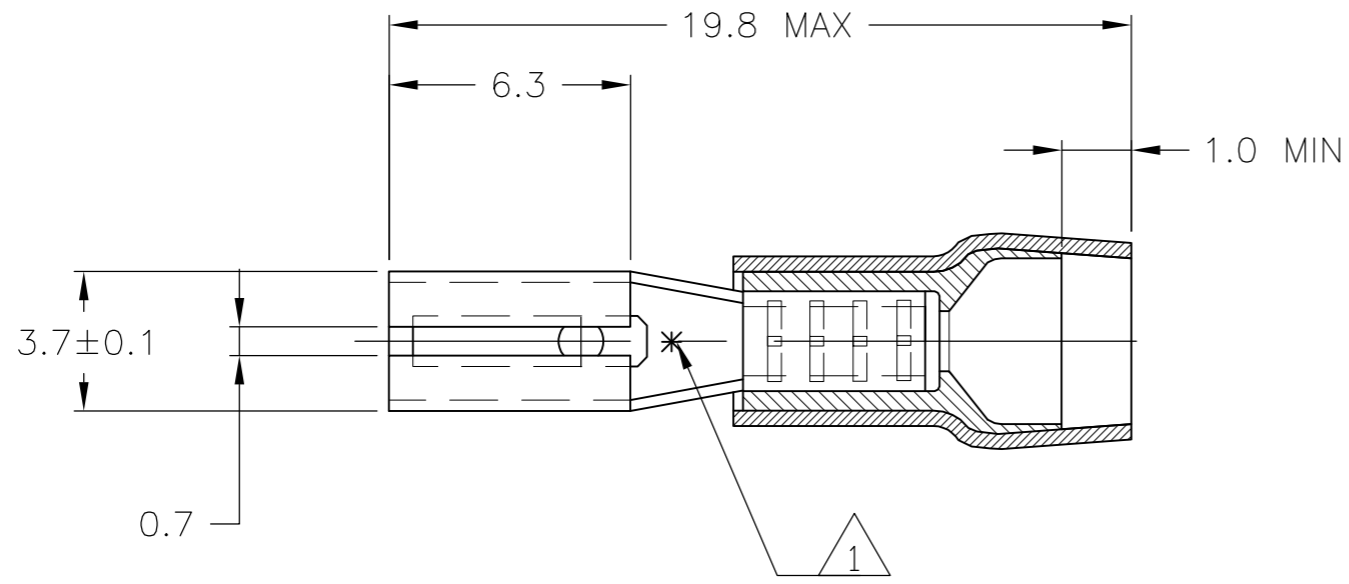


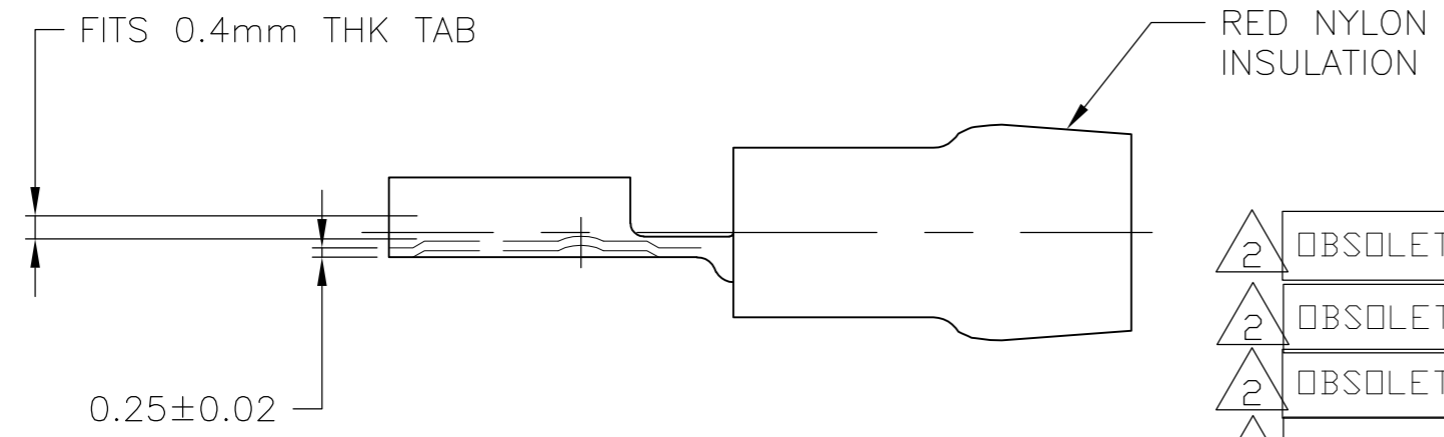
THIS DRAWING IS UNPUBLISHED. RELEASED FOR PUBLICATION
 © COPYRIGHT - BY TYCO ELECTRONICS CORPORATION. ALL RIGHTS RESERVED.

LOC	DIST	REVISIONS					
G	02	P	LTR	DESCRIPTION	DATE	DWN	APVD
		J1		REV PER ECR 07-017037	20JUL07	JR	TM

AMP WIRE RANGE	AMP INSULATION RANGE
22-16 AWG 0.3-1.5 mm ²	.140 MAX DIA 3.5 MAX DIA



△1 ASTERISK * FOR PHOS BRONZE VERSION ONLY
 △2 OBSOLETE W/O REPLACEMENT



△2	OBSOLETE		GOLD	PHOS BRONZE	165564-6
△2	OBSOLETE		GOLD	BRASS	165564-5
△2	OBSOLETE		SILVER	PHOS BRONZE	165564-4
△2	OBSOLETE		SILVER	BRASS	165564-3
△2	OBSOLETE	2-165564-2	TIN	PHOS BRONZE	165564-2
△2	OBSOLETE	2-165564-1	TIN	BRASS	165564-1
		PN ON TAPE	FINISH	MATERIAL	PART NUMBER

THIS DRAWING IS A CONTROLLED DOCUMENT.		DWN jr_ruth 15APR05	Tyco Electronics Corporation Harrisburg, Pa 17105-3608		
DIMENSIONS: mm		CHK T MICHIELUTTI 15APR05	NAME RECEPTACLE, FASTON, PIDG, .110 SERIES		
TOLERANCES UNLESS OTHERWISE SPECIFIED:		APVD T MICHIELUTTI 15APR05	PRODUCT SPEC	SIZE	CAGE CODE
0 PLC	± -			A3	00779
1 PLC	± 0.2		APPLICATION SPEC	DRAWING NO	C-165564
2 PLC	± -			RESTRICTED TO	
3 PLC	± -				
4 PLC	± -				
ANGLES	± 5'		WEIGHT	SCALE	SHEET
MATERIAL	FINISH			5:1	1 OF 1
			CUSTOMER DRAWING	REV	J1

X-ON Electronics

Largest Supplier of Electrical and Electronic Components

Click to view similar products for [Terminals](#) category:

Click to view products by [TE Connectivity](#) manufacturer:

Other Similar products are found below :

[00-054007-01074-6](#) [00-054007-70206-1](#) [00-054007-70210-8](#) [00-054007-70217-7](#) [00-054007-70226-9](#) [00-054007-70228-3](#) [00-054007-70248-1](#) [00-054007-70256-6](#) [00-054007-70301-3](#) [00-054007-70316-7](#) [00-054007-49560-4](#) [00-054007-70209-2](#) [00-054007-70225-2](#) [00-054007-70227-6](#) [00-054007-70231-3](#) [00-054007-70241-2](#) [00-054007-70242-9](#) [00-054007-70244-3](#) [00-054007-70246-7](#) [00-054007-70263-4](#) [00-054007-70288-7](#) [00-054007-70290-0](#) [00-054007-70300-6](#) [00-054007-70304-4](#) [01-2065-1-0216](#) [01-2900-1-04412](#) [00581P0075](#) [600TS-10](#) [60205-1](#) [604200-1](#) [605601-1](#) [60598-1-CUT-TAPE](#) [61314-6-C](#) [61810-3](#) [61-S](#) [61-SN](#) [626-0194](#) [62-NBM-A](#) [62-SN](#) [62-SP](#) [63-S](#) [640179-1](#) [M55155/059I03](#) [M55155/079C01](#) [M55155/099H02](#) [M55155/109H01](#) [M55155/109H02](#) [M55155/12XH05](#) [M55155/16XH02](#) [M55155/29-5S](#)