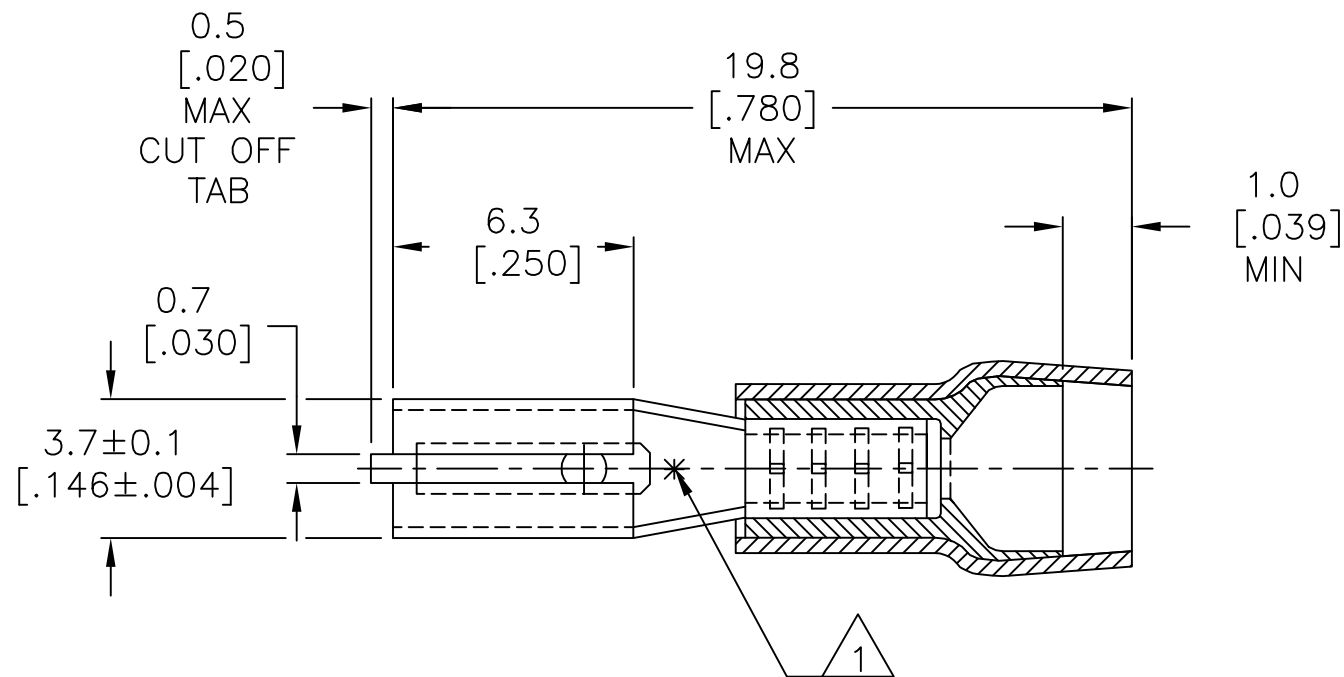
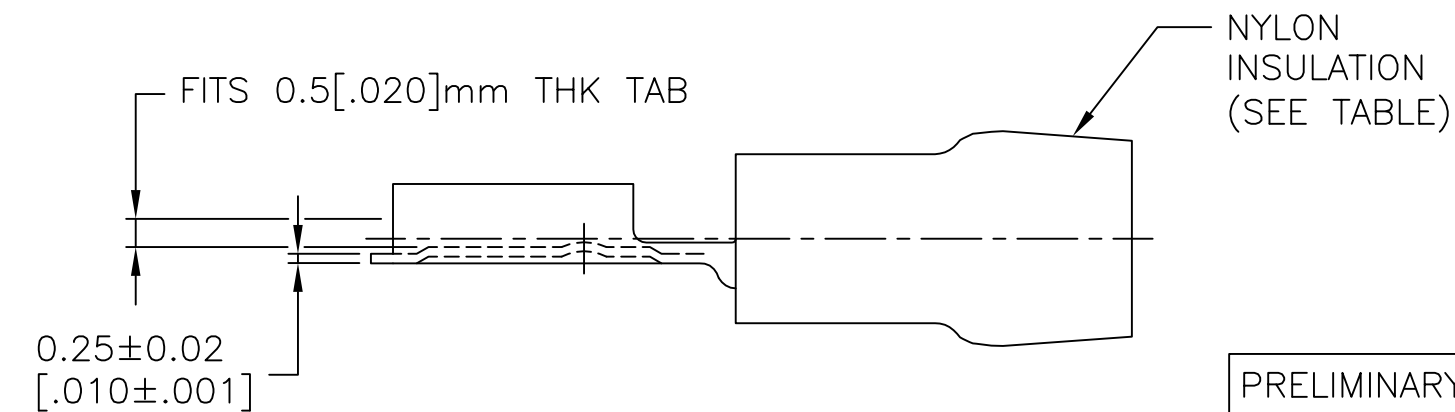


| P | LTR | DESCRIPTION               | DATE      | DWN | APVD |
|---|-----|---------------------------|-----------|-----|------|
|   | M4  | REVISED PER ECO-16-004029 | 16MAR2016 | NK  | DR   |
|   | M5  | REVISED PER ECO-17-002887 | 31AUG2017 | RS  | DR   |

| AMP WIRE RANGE                       | AMP INSULATION RANGE  |
|--------------------------------------|-----------------------|
| 22-16 AWG<br>0.3-1.5 mm <sup>2</sup> | ∅.140 MAX<br>∅3.5 MAX |



- 1 ASTERISK \* FOR PHOS BRONZE VERSION ONLY.
- 2 NOTE DELETED.



|             |                  |            |        |             |             |
|-------------|------------------|------------|--------|-------------|-------------|
| PRELIMINARY | WHITE            | -          | GOLD   | PHOS BRONZE | 2-165565-3  |
|             | RED              | -          | GOLD   | PHOS BRONZE | 165565-6    |
|             | RED              | -          | TIN    | PHOS BRONZE | 165565-2    |
|             | RED              | 2-165565-1 | TIN    | BRASS       | 165565-1    |
|             | INSULATION COLOR | PN ON TAPE | FINISH | MATERIAL    | PART NUMBER |

|  |  |                                 |                   |                        |                    |
|--|--|---------------------------------|-------------------|------------------------|--------------------|
| THIS DRAWING IS A CONTROLLED DOCUMENT.   |  | DWN<br>jr_ruth<br>15APR05       | TE Connectivity   |                        |                    |
| DIMENSIONS:<br>mm [INCHES]   |  | CHK<br>T MICHELUTTI<br>15APR05  |                   |                        |                    |
| TOLERANCES UNLESS OTHERWISE SPECIFIED:   |  | APVD<br>T MICHELUTTI<br>15APR05 | PRODUCT SPEC<br>- |                        |                    |
| 0 PLC ± -<br>1 PLC ± 0.2[.008]<br>2 PLC ± -<br>3 PLC ± -<br>4 PLC ± -<br>ANGLES ± 5° |  | APPLICATION SPEC<br>114-1002    |                   | SIZE<br>A3             | CAGE CODE<br>00779 |
| MATERIAL<br>-  |  | WEIGHT<br>-                     |                   | DRAWING NO<br>C=165565 |                    |
| CUSTOMER DRAWING   |  |                                 | SCALE<br>5:1      | SHEET<br>1 OF 1        | REV<br>M5          |

## X-ON Electronics

Largest Supplier of Electrical and Electronic Components

*Click to view similar products for [Terminals](#) category:*

*Click to view products by [TE Connectivity](#) manufacturer:*

Other Similar products are found below :

[00-054007-01074-6](#) [00-054007-70206-1](#) [00-054007-70210-8](#) [00-054007-70217-7](#) [00-054007-70226-9](#) [00-054007-70228-3](#) [00-054007-70248-1](#) [00-054007-70256-6](#) [00-054007-70301-3](#) [00-054007-70316-7](#) [00-054007-49560-4](#) [00-054007-70209-2](#) [00-054007-70225-2](#) [00-054007-70227-6](#) [00-054007-70231-3](#) [00-054007-70241-2](#) [00-054007-70242-9](#) [00-054007-70244-3](#) [00-054007-70246-7](#) [00-054007-70263-4](#) [00-054007-70288-7](#) [00-054007-70290-0](#) [00-054007-70300-6](#) [00-054007-70304-4](#) [01-2065-1-0216](#) [01-2900-1-04412](#) [00581P0075](#) [600TS-10](#) [60205-1](#) [604200-1](#) [605601-1](#) [60598-1-CUT-TAPE](#) [61314-6-C](#) [61810-3](#) [61-S](#) [61-SN](#) [626-0194](#) [62-NBM-A](#) [62-SN](#) [62-SP](#) [63-S](#) [640179-1](#) [M55155/059I03](#) [M55155/079C01](#) [M55155/099H02](#) [M55155/109H01](#) [M55155/109H02](#) [M55155/12XH05](#) [M55155/16XH02](#) [M55155/29-5S](#)