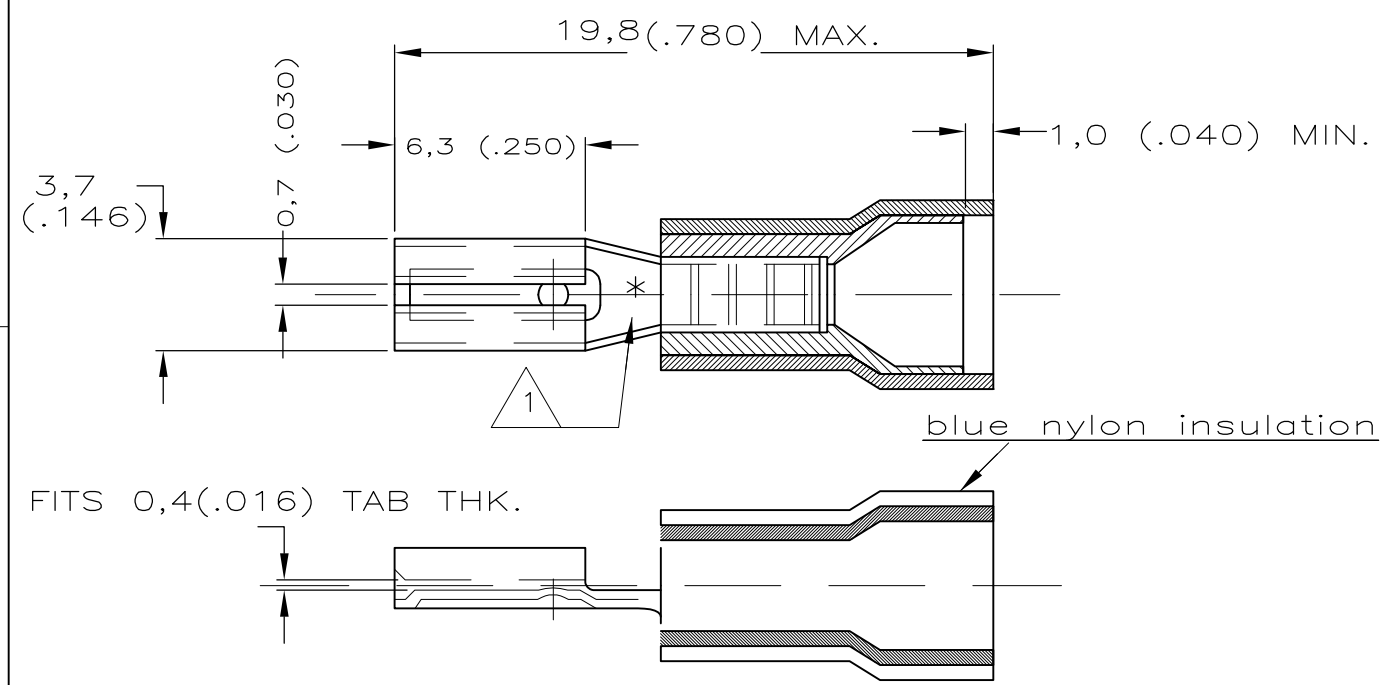


THIS DRAWING IS UNPUBLISHED. RELEASED FOR PUBLICATION  
 © COPYRIGHT - BY TYCO ELECTRONICS CORPORATION. ALL RIGHTS RESERVED.

LOC	DIST	REVISIONS					
H	00	P	LTR	DESCRIPTION	DATE	DWN	APVD
			F2	REV PER ECR 08-028310	10NOV08	JR	TM



- △ 1 ASTERISK \* FOR PH.BRONZE VERSION ONLY
- \* \* FOR WIRES 1,0 UP TO 1,5 mm<sup>2</sup> ,CONTACT AMP
- 2 WIRE RANGE: 1,5-2,5mm<sup>2</sup>. INSUL. RANGE: 4,3mm MAX. DIA..

OBSOLETE	LOOSE PIECE	GOLD	PH. BRONZE	165615-7
		SILVER	PH. BRONZE	165615-6
		TIN	PH. BRONZE	165615-5
		GOLD	BRASS	165615-4
		SILVER	BRASS	165615-3
		TIN	BRASS	165615-2
PACKAGE TYPE	FINISH	MATERIAL	PARTNUMBER	

THIS DRAWING IS A CONTROLLED DOCUMENT.		DWN F.COOLS	16-09-86	Tyco Electronics Corporation Harrisburg, PA 17105-3608	
DIMENSIONS: mm [INCHES]		CHK	-	NAME	
TOLERANCES UNLESS OTHERWISE SPECIFIED:		APVD	-	.110 SERIES PIDG FASTON RECEPTACLE	
0 PLC ± - 1 PLC ± - 2 PLC ± - 3 PLC ± - 4 PLC ± - ANGLES ± -		PRODUCT SPEC	-	SIZE	CAGE CODE
MATERIAL	FINISH	APPLICATION SPEC	-	DRAWING NO	RESTRICTED TO
-	-	WEIGHT	-	A300779	C-165615
CUSTOMER DRAWING			SCALE	SHEET	REV
			-	1 OF 1	F2

## X-ON Electronics

Largest Supplier of Electrical and Electronic Components

*Click to view similar products for [Terminals](#) category:*

*Click to view products by [TE Connectivity](#) manufacturer:*

Other Similar products are found below :

[00-054007-01074-6](#) [00-054007-70206-1](#) [00-054007-70210-8](#) [00-054007-70217-7](#) [00-054007-70226-9](#) [00-054007-70228-3](#) [00-054007-70248-1](#) [00-054007-70256-6](#) [00-054007-70301-3](#) [00-054007-70316-7](#) [0-0320562-0](#) [00-054007-49560-4](#) [00-054007-70209-2](#) [00-054007-70225-2](#) [00-054007-70227-6](#) [00-054007-70231-3](#) [00-054007-70241-2](#) [00-054007-70242-9](#) [00-054007-70244-3](#) [00-054007-70246-7](#) [00-054007-70263-4](#) [00-054007-70288-7](#) [00-054007-70290-0](#) [00-054007-70300-6](#) [00-054007-70304-4](#) [01-2065-1-0216](#) [01-2900-1-04412](#) [00581P0075](#) [600TS-10](#) [60205-1](#) [604200-1](#) [605601-1](#) [60598-1-CUT-TAPE](#) [61314-6-C](#) [61810-3](#) [61-S](#) [61-SN](#) [626-0194](#) [62-NBM-A](#) [62-SN](#) [62-SP](#) [63-S](#) [640179-1](#) [M55155/059I03](#) [M55155/079C01](#) [M55155/099H02](#) [M55155/109H01](#) [M55155/109H02](#) [M55155/12XH05](#) [M55155/16XH02](#)