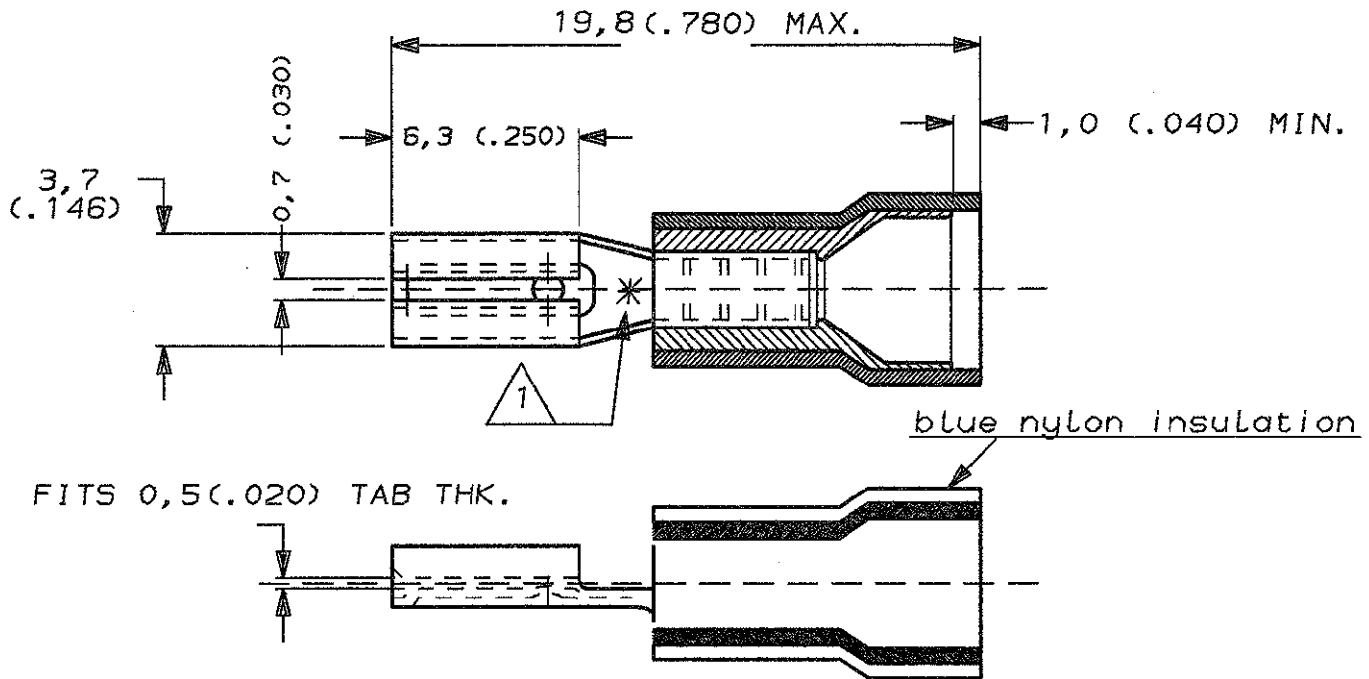


DO NOT SCALE

DIMENSIONS IN mm

METRIC

THIRD ANGLE
PROJECTION



ASTERISK * FOR PH. BRONZE VERSION ONLY

** FOR WIRES 1,0 UP TO 1,5 mm² , CONTACT AMP

2 WIRE RANGE: 1,5-2,5mm². INSUL. RANGE: 4,3mm MAX. DIA..

TAPEMOUNTED	165616-7	2-165616-7
TAPEMOUNTED	165616-6	2-165616-6
TAPEMOUNTED	165616-5	2-165616-5
TAPEMOUNTED	165616-4	2-165616-4
TAPEMOUNTED	165616-3	2-165616-3
TAPEMOUNTED	165616-2	2-165616-2
GOLD	PH. BRONZE	165616-7
SILVER	PH. BRONZE	165616-6
TIN	PH. BRONZE	165616-5
GOLD	BRASS	165616-4
SILVER	BRASS	165616-3
TIN	BRASS	165616-2

FINISH

MATERIAL

PARTNUMBER

-	-	-	-	-
-	-	-	-	-
-	-	-	-	-
-	-	-	-	-
-	-	-	-	-
F	H-9380	DK	PB	08-01-92
LTR.	REVISION RECORD	DR.	CHK.	DATE

CUSTOMER DRAWING FOR REFERENCE ONLY
WILL NOT BE UPDATED

© COPYRIGHT 19- BY AMP HOLLAND B.V.
ALL INTERNATIONAL RIGHTS RESERVED. AMP PRODUCTS MAY BE
COVERED BY U.S. AND FOREIGN AND/OR PATENTS PENDING.

THIS DRAWING IS UNPUBLISHED
RELEASED FOR PUBLICATION _____, 19____

AMP

AMP HOLLAND B.V.
's-Hertogenbosch,
The Netherlands.

NAME

.110 SERIES
PIDG FASTON RECEPTACLE

DR.:	F.COOLS	CHK.:	-	APP.:	-	DWG. No.	C-165616	REV. LTR.	F	SHEET	1 OF 1	A4
DATE:	16-09-86	DATE:	-	DATE:	-							

X-ON Electronics

Largest Supplier of Electrical and Electronic Components

Click to view similar products for [Terminals](#) category:

Click to view products by [TE Connectivity](#) manufacturer:

Other Similar products are found below :

[00-054007-01074-6](#) [00-054007-70206-1](#) [00-054007-70210-8](#) [00-054007-70217-7](#) [00-054007-70226-9](#) [00-054007-70228-3](#) [00-054007-70248-1](#) [00-054007-70256-6](#) [00-054007-70301-3](#) [00-054007-70316-7](#) [0-0320562-0](#) [00-054007-49560-4](#) [00-054007-70209-2](#) [00-054007-70225-2](#) [00-054007-70227-6](#) [00-054007-70231-3](#) [00-054007-70241-2](#) [00-054007-70242-9](#) [00-054007-70244-3](#) [00-054007-70246-7](#) [00-054007-70263-4](#) [00-054007-70288-7](#) [00-054007-70290-0](#) [00-054007-70300-6](#) [00-054007-70304-4](#) [01-2065-1-0216](#) [01-2900-1-04412](#) [00581P0075](#) [600TS-10](#) [60205-1](#) [604200-1](#) [605601-1](#) [60598-1-CUT-TAPE](#) [61314-6-C](#) [61810-3](#) [61-S](#) [61-SN](#) [626-0194](#) [62-NBM-A](#) [62-SN](#) [62-SP](#) [63-S](#) [640179-1](#) [M55155/059I03](#) [M55155/079C01](#) [M55155/099H02](#) [M55155/109H01](#) [M55155/109H02](#) [M55155/12XH05](#) [M55155/16XH02](#)