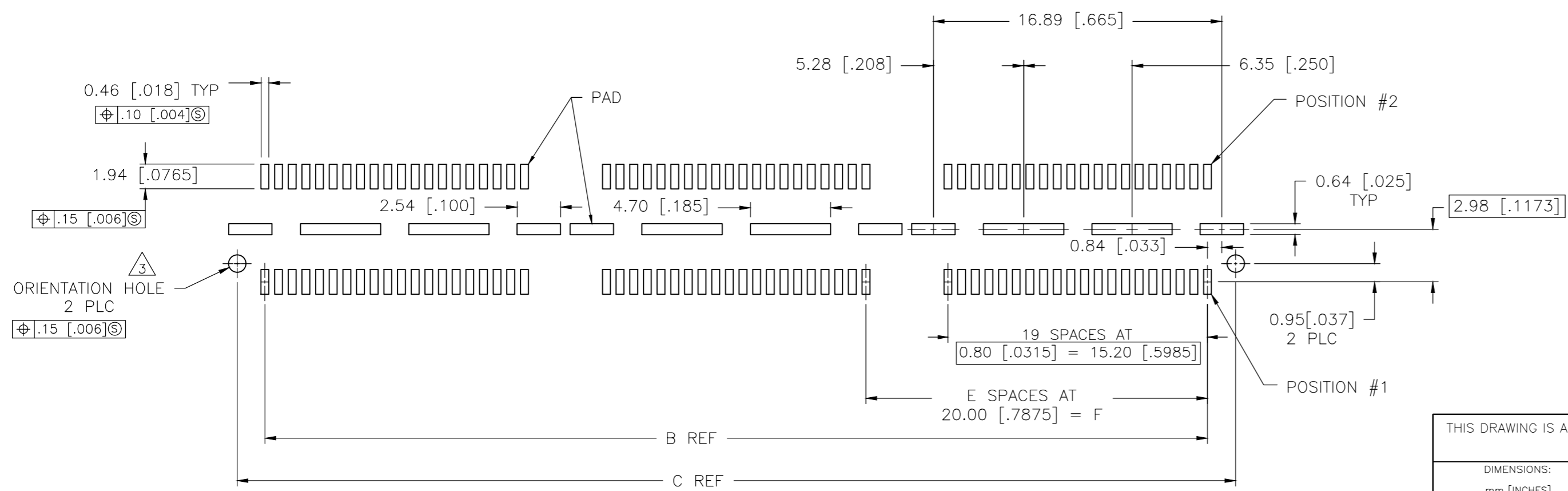
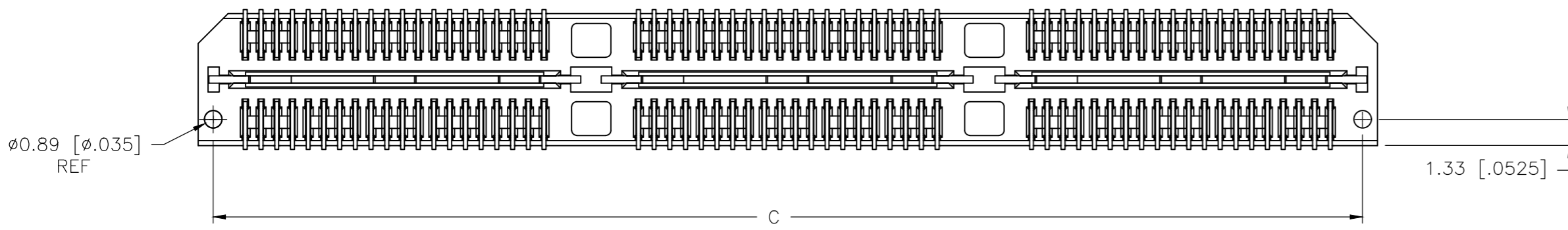
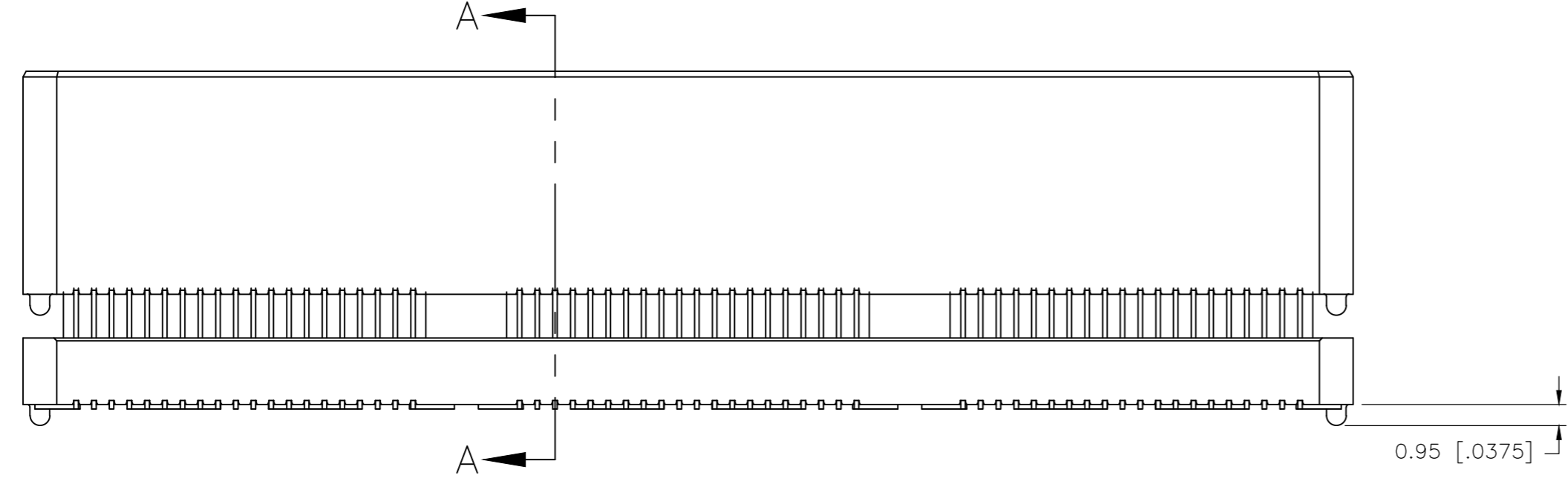
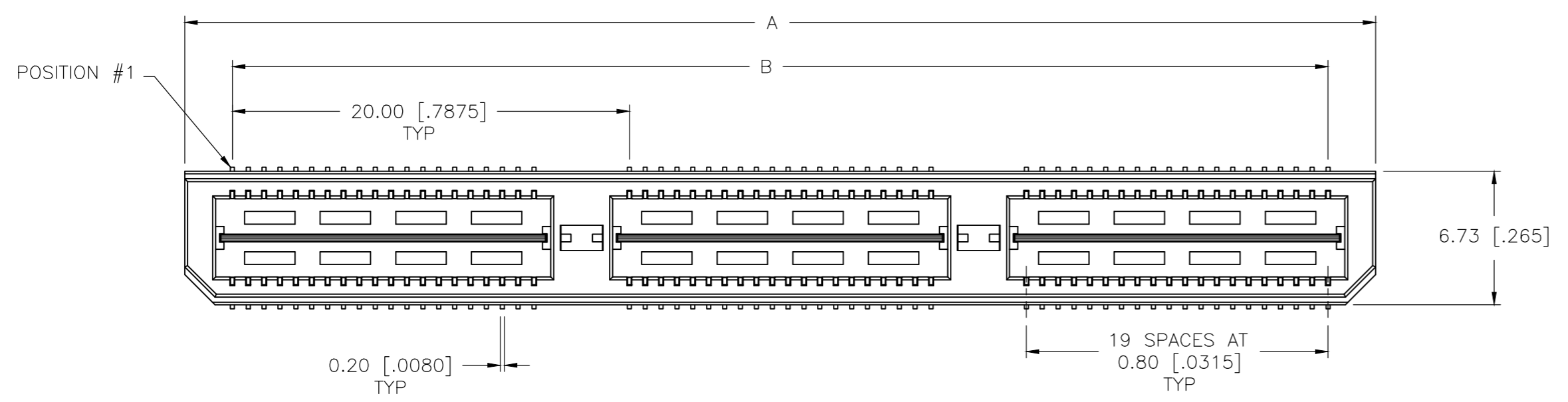
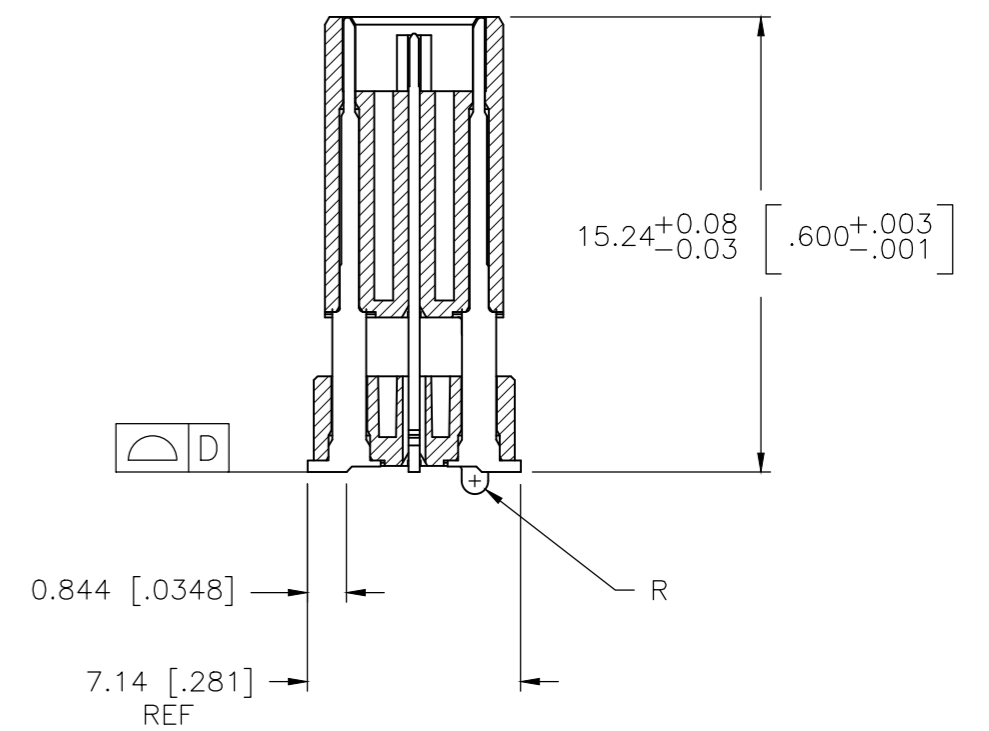


| REVISIONS |     |               |           |     |      |
|-----------|-----|---------------|-----------|-----|------|
| P         | LTR | DESCRIPTION   | DATE      | DWN | APVD |
| L         |     | ECO-20-001407 | 29JAN2020 | TL  | HL   |

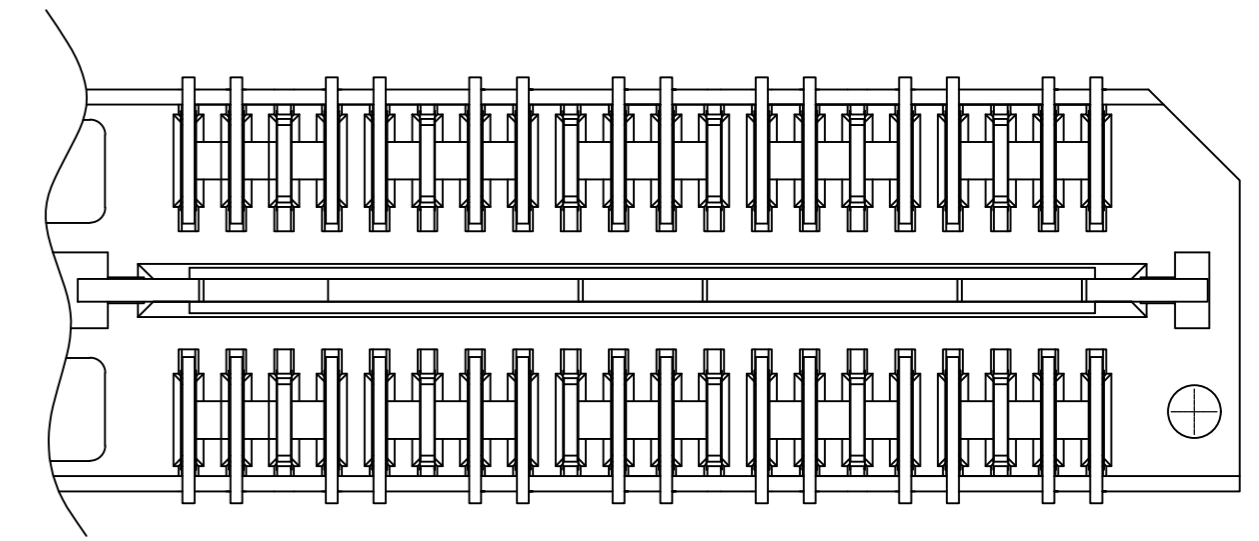
- 1 HOUSING: LCP, BLACK.  
CONTACT & GROUND PLANE: PHOS BRONZE.
- 2 CONTACT PLATING: SELECT 0.25 MICROMETERS (.000010 IN.) MIN. GOLD.
- 3 FOR STANDARD APPLICATIONS, ORIENTATION HOLE TO BE  $\phi 1.02 [\phi 0.0400]$ .



RECOMMENDED PC BOARD LAYOUT  
 (VIEWED FROM CONNECTOR SIDE)



SECTION A-A

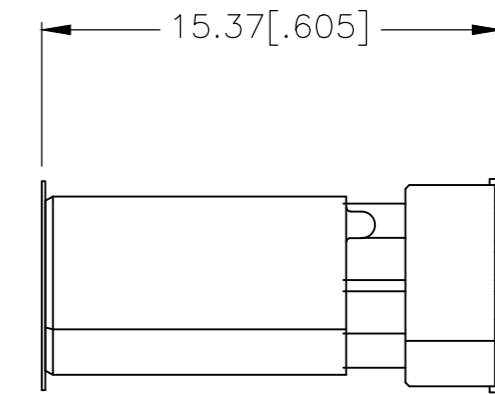
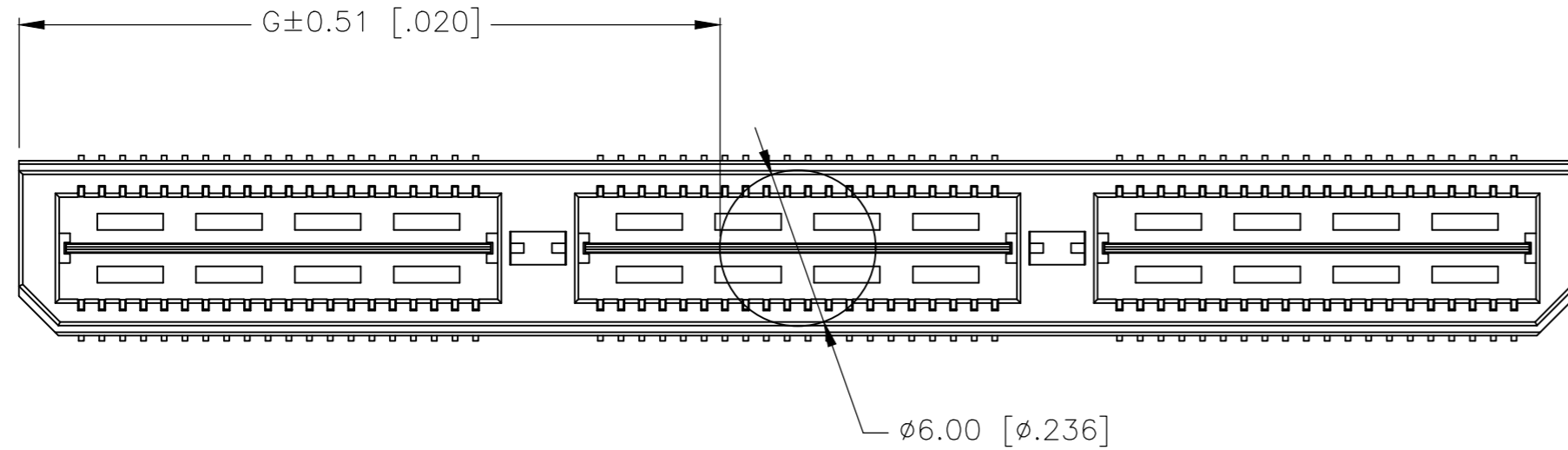


DIFFERENTIAL PAIR LOADING  
 (BOTTOM VIEW)  
 SCALE 2:1

|  |                     |                            |   |
|--|---------------------|----------------------------|---|
| THIS DRAWING IS A CONTROLLED DOCUMENT. |                     | DWN<br>B.CARBO<br>27JAN03  | TE Connectivity Ltd.  |
| DIMENSIONS:<br>mm [INCHES]             |                     | CHK<br>D.DIXON<br>27JAN03  |   |
| TOLERANCES UNLESS OTHERWISE SPECIFIED: |                     | APVD<br>D.DIXON<br>27JAN03 | NAME<br>HEADER ASSEMBLY, 16.0MM [.630] VERTICAL,<br>0.80MM CL,<br>MICTOR SB |
| 0 PLC ± -                              | 1 PLC ± 0.3[.01]    | PRODUCT SPEC               | SIZE<br>A2  |
| 2 PLC ± 0.13[.005]                     | 3 PLC ± 0.05[.0020] | APPLICATION SPEC           | CAGE CODE<br>00779  |
| 4 PLC ± -                              | ANGLES ± 2°         | FINISH                     | DRAWING NO<br>C=1658016   |
| MATERIAL                               | FINISH              | WEIGHT                     | RESTRICTED TO   |
| 1                                      | 2                   | CUSTOMER DRAWING           | SCALE<br>3:1  |
|  |                     |                            | SHEET<br>1 of 2   |
|  |                     |                            | REV<br>L  |

THIS DRAWING IS UNPUBLISHED. RELEASED FOR PUBLICATION  
 © COPYRIGHT - By - ALL RIGHTS RESERVED.

| REVISIONS |     |             |      |     |      |
|-----------|-----|-------------|------|-----|------|
| P         | LTR | DESCRIPTION | DATE | DWN | APVD |
| -         | -   | SEE SHEET 1 | -    | -   | -    |



|              |              |   |              |              |              |               |                      |                |            |           |             |
|--------------|--------------|---|--------------|--------------|--------------|---------------|----------------------|----------------|------------|-----------|-------------|
| 27.01(1.063) | 40.00(1.575) | 2 | 0.102(.0040) | 58.50(2.303) | 55.20(2.173) | 60.00(2.362)  | YES                  | POCKET TAPE    | YES        | 84        | 7-1658016-3 |
| 17.00(.669)  | 20.00(.7874) | 1 | 0.102(.0040) | 38.48(1.515) | 35.20(1.386) | 40.00(1.575)  | YES                  | POCKET TAPE    | YES        | 56        | 7-1658016-2 |
| 6.99(.275)   | 0(.000)      | 0 | 0.102(.0040) | 18.49(.728)  | 15.20(.598)  | 20.00(.787)   | YES                  | POCKET TAPE    | YES        | 28        | 7-1658016-1 |
| 27.01(1.063) | 40.00(1.575) | 2 | 0.102(.0040) | 58.50(2.303) | 55.20(2.173) | 60.00(2.362)  | YES                  | POCKET TAPE    | NO         | 120       | 6-1658016-3 |
| 17.00(.669)  | 20.00(.7874) | 1 | 0.102(.0040) | 38.48(1.515) | 35.20(1.386) | 40.00(1.575)  | YES                  | POCKET TAPE    | NO         | 80        | 6-1658016-2 |
| 6.99(.275)   | 0(.000)      | 0 | 0.102(.0040) | 18.49(.728)  | 15.20(.598)  | 20.00(.787)   | YES                  | POCKET TAPE    | NO         | 40        | 6-1658016-1 |
| -            | 40.00(1.575) | 2 | 0.102(.0040) | 58.50(2.303) | 55.20(2.173) | 60.00(2.362)  | NO                   | POCKET TAPE    | YES        | 84        | 5-1658016-3 |
| -            | 20.00(.7874) | 1 | 0.102(.0040) | 38.48(1.515) | 35.20(1.386) | 40.00(1.575)  | NO                   | POCKET TAPE    | YES        | 56        | 5-1658016-2 |
| -            | 0(.000)      | 0 | 0.102(.0040) | 18.49(.728)  | 15.20(.598)  | 20.00(.787)   | NO                   | POCKET TAPE    | YES        | 28        | 5-1658016-1 |
| -            | 40.00(1.575) | 2 | 0.102(.0040) | 58.50(2.303) | 55.20(2.173) | 60.00(2.362)  | NO                   | POCKET TAPE    | NO         | 120       | 4-1658016-3 |
| -            | 20.00(.7874) | 1 | 0.102(.0040) | 38.48(1.515) | 35.20(1.386) | 40.00(1.575)  | NO                   | POCKET TAPE    | NO         | 80        | 4-1658016-2 |
| -            | 0(.000)      | 0 | 0.102(.0040) | 18.49(.728)  | 15.20(.598)  | 20.00(.787)   | NO                   | POCKET TAPE    | NO         | 40        | 4-1658016-1 |
| 47.00(1.850) | 80.00(3.150) | 4 | 0.152(.0060) | 98.50(3.748) | 95.20(3.748) | 100.00(3.937) | YES                  | TRAY           | YES        | 140       | 3-1658016-5 |
| 37.02(1.457) | 60.00(2.362) | 3 | 0.152(.0060) | 78.49(3.090) | 75.20(2.961) | 80.00(3.150)  | YES                  | TRAY           | YES        | 112       | 3-1658016-4 |
| 27.01(1.063) | 40.00(1.575) | 2 | 0.102(.0040) | 58.50(2.303) | 55.20(2.173) | 60.00(2.362)  | YES                  | TRAY           | YES        | 84        | 3-1658016-3 |
| 17.00(.669)  | 20.00(.7874) | 1 | 0.102(.0040) | 38.48(1.515) | 35.20(1.386) | 40.00(1.575)  | YES                  | TRAY           | YES        | 56        | 3-1658016-2 |
| 6.99(.275)   | 0(.000)      | 0 | 0.102(.0040) | 18.49(.728)  | 15.20(.598)  | 20.00(.787)   | YES                  | TRAY           | YES        | 28        | 3-1658016-1 |
| 47.00(1.850) | 80.00(3.150) | 4 | 0.152(.0060) | 98.50(3.748) | 95.20(3.748) | 100.00(3.937) | YES                  | TRAY           | NO         | 200       | 2-1658016-5 |
| 37.02(1.457) | 60.00(2.362) | 3 | 0.152(.0060) | 78.49(3.090) | 75.20(2.961) | 80.00(3.150)  | YES                  | TRAY           | NO         | 160       | 2-1658016-4 |
| 27.01(1.063) | 40.00(1.575) | 2 | 0.102(.0040) | 58.50(2.303) | 55.20(2.173) | 60.00(2.362)  | YES                  | TRAY           | NO         | 120       | 2-1658016-3 |
| 17.00(.669)  | 20.00(.7874) | 1 | 0.102(.0040) | 38.48(1.515) | 35.20(1.386) | 40.00(1.575)  | YES                  | TRAY           | NO         | 80        | 2-1658016-2 |
| 6.99(.275)   | 0(.000)      | 0 | 0.102(.0040) | 18.49(.728)  | 15.20(.598)  | 20.00(.787)   | YES                  | TRAY           | NO         | 40        | 2-1658016-1 |
| -            | 80.00(3.150) | 4 | 0.152(.0060) | 98.50(3.748) | 95.20(3.748) | 100.00(3.937) | NO                   | TRAY           | YES        | 140       | 1-1658016-5 |
| -            | 60.00(2.362) | 3 | 0.152(.0060) | 78.49(3.090) | 75.20(2.961) | 80.00(3.150)  | NO                   | TRAY           | YES        | 112       | 1-1658016-4 |
| -            | 40.00(1.575) | 2 | 0.102(.0040) | 58.50(2.303) | 55.20(2.173) | 60.00(2.362)  | NO                   | TRAY           | YES        | 84        | 1-1658016-3 |
| -            | 20.00(.7874) | 1 | 0.102(.0040) | 38.48(1.515) | 35.20(1.386) | 40.00(1.575)  | NO                   | TRAY           | YES        | 56        | 1-1658016-2 |
| -            | 0(.000)      | 0 | 0.102(.0040) | 18.49(.728)  | 15.20(.598)  | 20.00(.787)   | NO                   | TRAY           | YES        | 28        | 1-1658016-1 |
| -            | 80.00(3.150) | 4 | 0.152(.0060) | 98.50(3.748) | 95.20(3.748) | 100.00(3.937) | NO                   | TRAY           | NO         | 200       | 1658016-5   |
| -            | 60.00(2.362) | 3 | 0.152(.0060) | 78.49(3.090) | 75.20(2.961) | 80.00(3.150)  | NO                   | TRAY           | NO         | 160       | 1658016-4   |
| -            | 40.00(1.575) | 2 | 0.102(.0040) | 58.50(2.303) | 55.20(2.173) | 60.00(2.362)  | NO                   | TRAY           | NO         | 120       | 1658016-3   |
| -            | 20.00(.7874) | 1 | 0.102(.0040) | 38.48(1.515) | 35.20(1.386) | 40.00(1.575)  | NO                   | TRAY           | NO         | 80        | 1658016-2   |
| -            | 0(.000)      | 0 | 0.102(.0040) | 18.49(.728)  | 15.20(.598)  | 20.00(.787)   | NO                   | TRAY           | NO         | 40        | 1658016-1   |
| G            | F            | E | D            | C            | B            | A             | POLYIMIDE FILM PAD ▲ | PACKAGING TYPE | DIFF. PAIR | NO OF POS | PART NUMBER |

THIS DRAWING IS A CONTROLLED DOCUMENT.

DIMENSIONS: mm [INCHES]

TOLERANCES UNLESS OTHERWISE SPECIFIED:

|        |                |
|--------|----------------|
| 0 PLC  | ± -            |
| 1 PLC  | ± 0.3[.01]     |
| 2 PLC  | ± 0.13[.005]   |
| 3 PLC  | ± 0.051[.0020] |
| 4 PLC  | ± -            |
| ANGLES | ± 2°           |

MATERIAL: SEE SHEET 1

FINISH: SEE SHEET 1

WEIGHT: -

CUSTOMER DRAWING

DWN: B.CARBO 27JAN03

CHK: D.DIXON 27JAN03

APVD: D.DIXON 27JAN03

PRODUCT SPEC: -

APPLICATION SPEC: -

WEIGHT: -

SCALE: 3:1

SHEET: 2 of 2

REV: L

TE Connectivity Ltd.

NAME: HEADER ASSEMBLY, 16.0MM [.630] VERTICAL, 0.80MM CL, MICTOR SB

SIZE: A2

CAGE CODE: 00779

DRAWING NO: C=1658016

RESTRICTED TO: -

## X-ON Electronics

Largest Supplier of Electrical and Electronic Components

*Click to view similar products for [Board to Board & Mezzanine Connectors](#) category:*

*Click to view products by [TE Connectivity](#) manufacturer:*

Other Similar products are found below :

[589158040000018](#) [MDF7C-18P-2.54DSA\(55\)](#) [FCN-230C068-11](#) [FCN-268F012-G/BD](#) [FCN-268F036-G/BD](#) [FCN-268M012-G/0D](#) [FCN-268M024-G/1D](#) [FCN-723J004/1](#) [MIS-048-01-F-D-DP-K](#) [832-10-034-10-001000](#) [FX4C-80S-1.27DSA](#) [FCN-214Q030-G/0](#) [FCN-234P048-G/0](#) [FCN-235D050-G/C](#) [210-93-314-41-105000](#) [2-22603-0](#) [MDF7-40DP-2.54DSA\(55\)](#) [AXG720047](#) [5031084030](#) [MIT-114-03-F-D-K](#) [55323-1519](#) [DF33-2P-3.3DSA\(24\)](#) [YFT-20-05-H-03-SB-K](#) [503308-3040](#) [026-6203-PDB](#) [027-6203-PDB](#) [069159702701000](#) [10123981-102LF](#) [101A10019X](#) [55650-0588-C](#) [68682-310LF](#) [68684-306](#) [75140-7012](#) [87471-650](#) [194261-1](#) [FCN-268F024-G0D](#) [10124054-515LF](#) [68685-603](#) [8-1616154-3](#) [MIS-019-01-F-D](#) [541371078](#) [IL-WX-10PB-HF-B-E1000E](#) [FCN-268M024-G/3D](#) [20021832-06016C1LF](#) [KX15-20KLDL-E1000E](#) [MDF7-16DP-2.54DSA\(55\)](#) [AXE810124](#) [FCN-214J100-G/0](#) [FCN-230C068-E/S](#) [AXE812124](#)