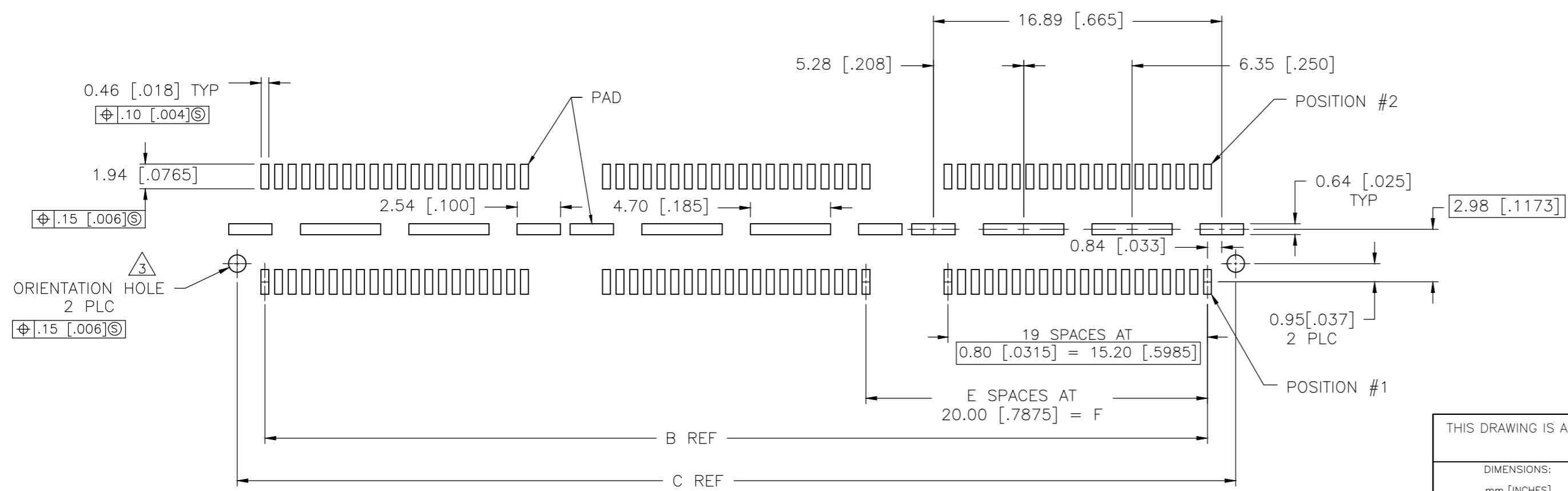
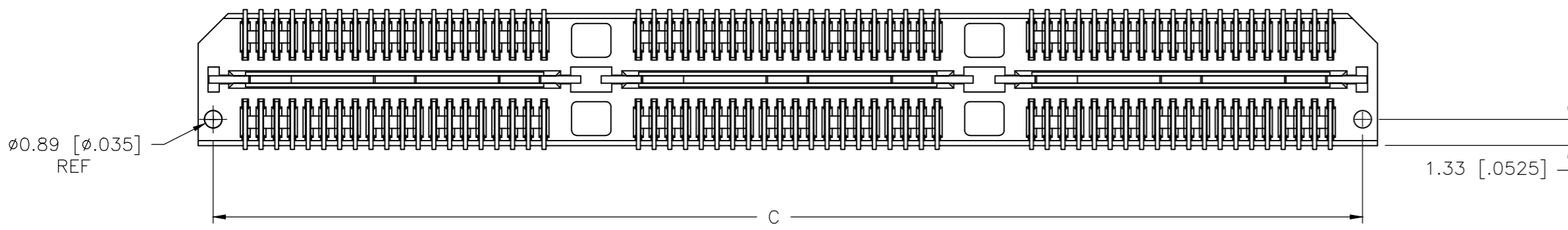
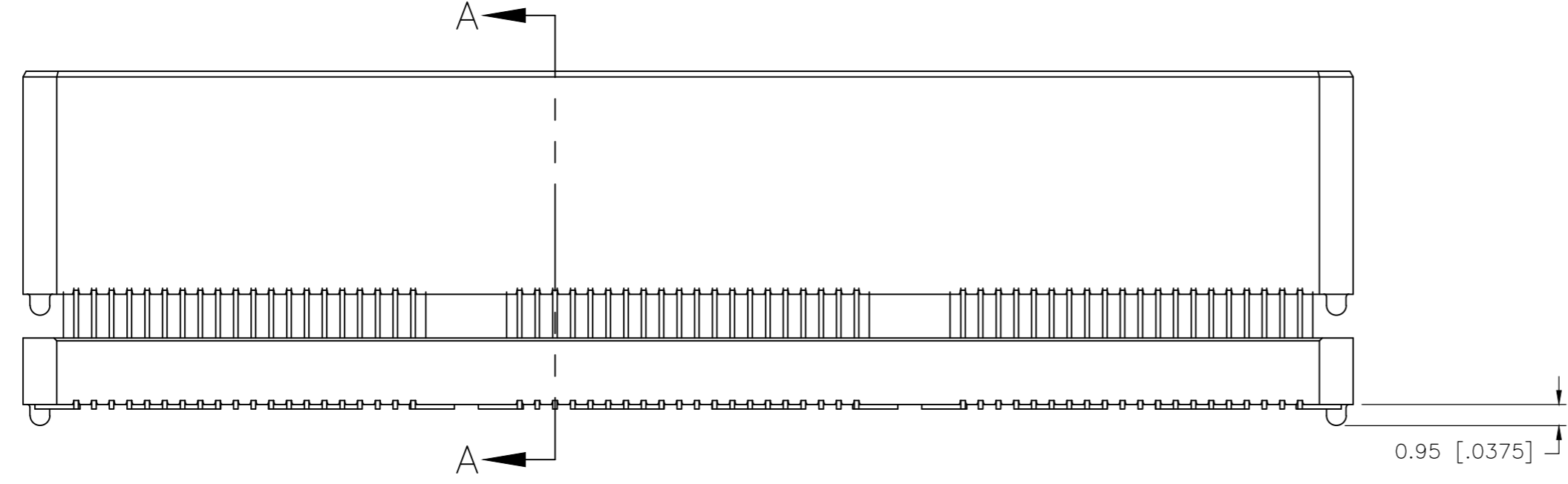
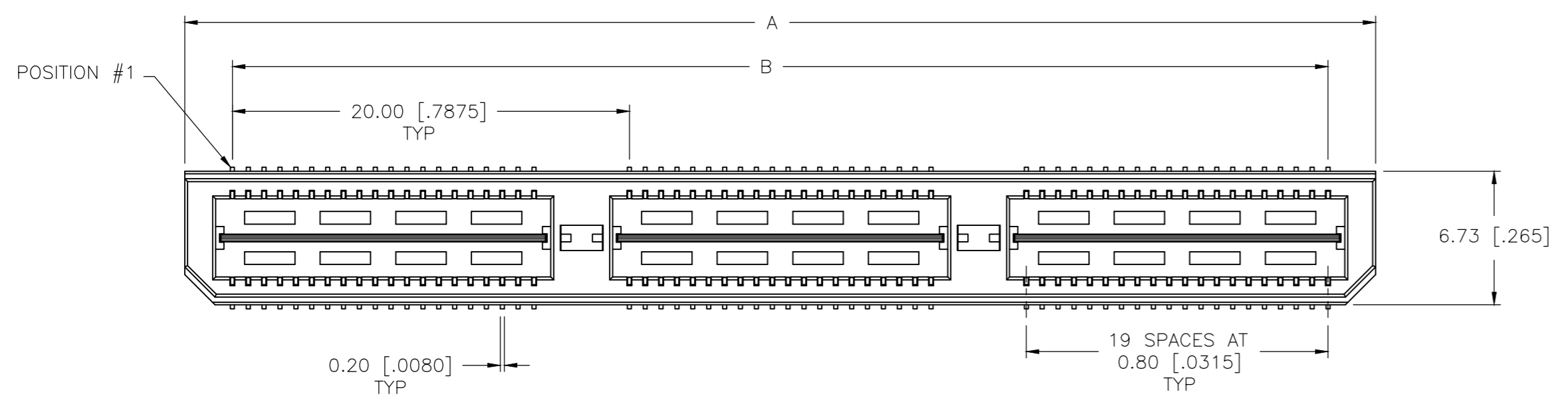
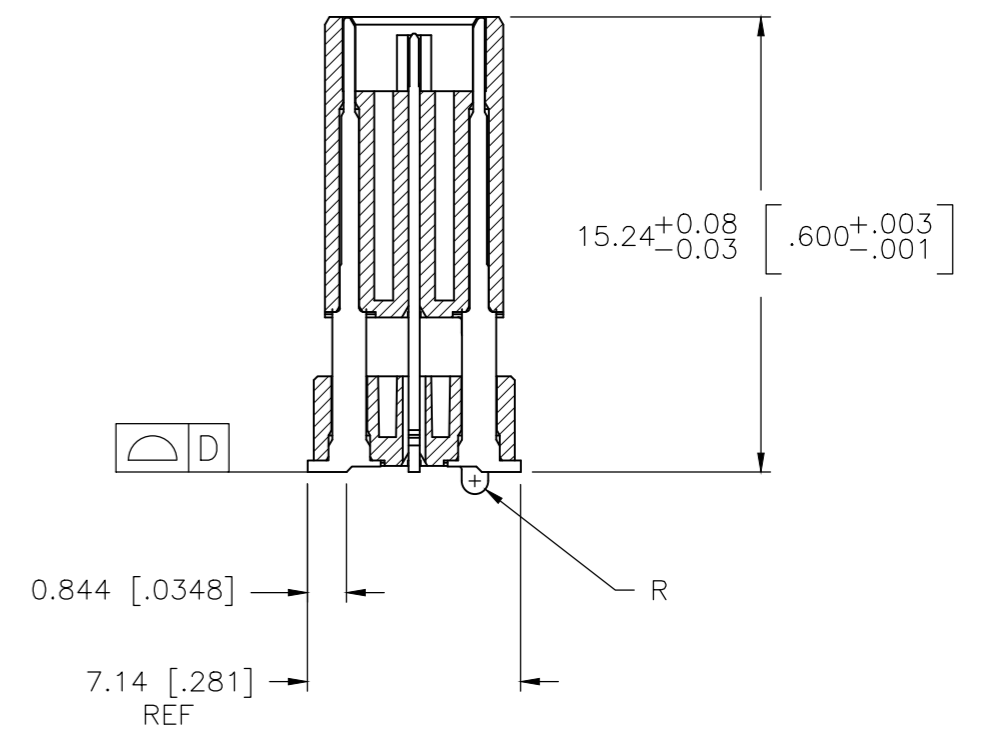


| REVISIONS | | | | | |
|-----------|-----|---------------|-----------|-----|------|
| P | LTR | DESCRIPTION | DATE | DWN | APVD |
| L | | ECO-20-001407 | 29JAN2020 | TL | HL |

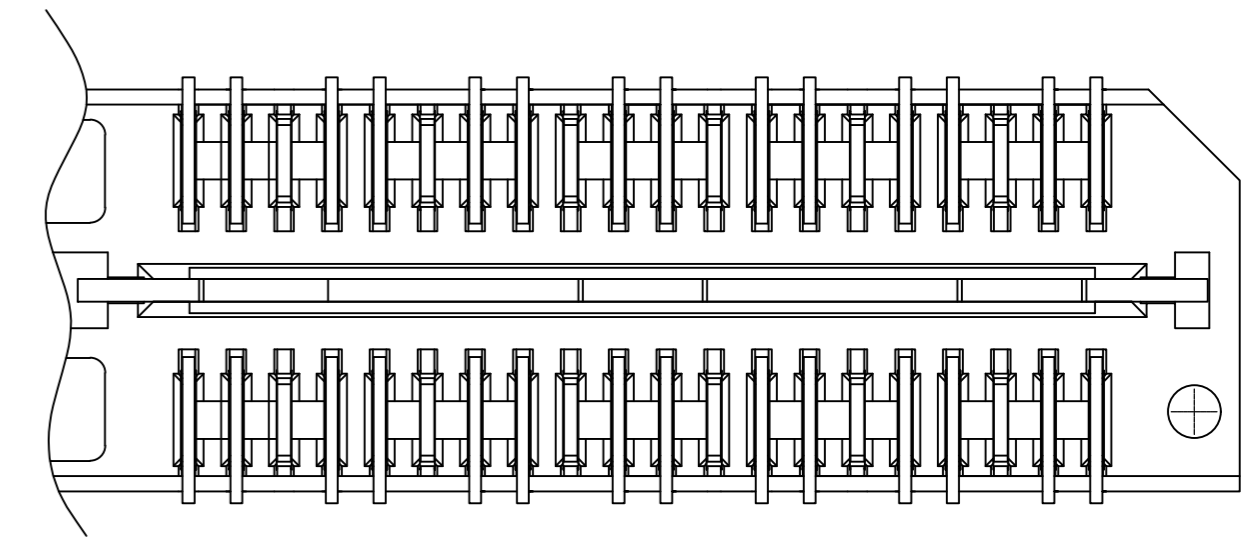
- 1 HOUSING: LCP, BLACK.
CONTACT & GROUND PLANE: PHOS BRONZE.
- 2 CONTACT PLATING: SELECT 0.25 MICROMETERS (.000010 IN.) MIN. GOLD.
- 3 FOR STANDARD APPLICATIONS, ORIENTATION HOLE TO BE $\phi 1.02$ [$\phi 0.0400$].



RECOMMENDED PC BOARD LAYOUT
 (VIEWED FROM CONNECTOR SIDE)



SECTION A-A



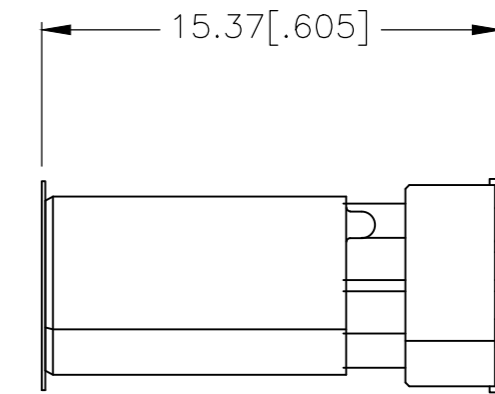
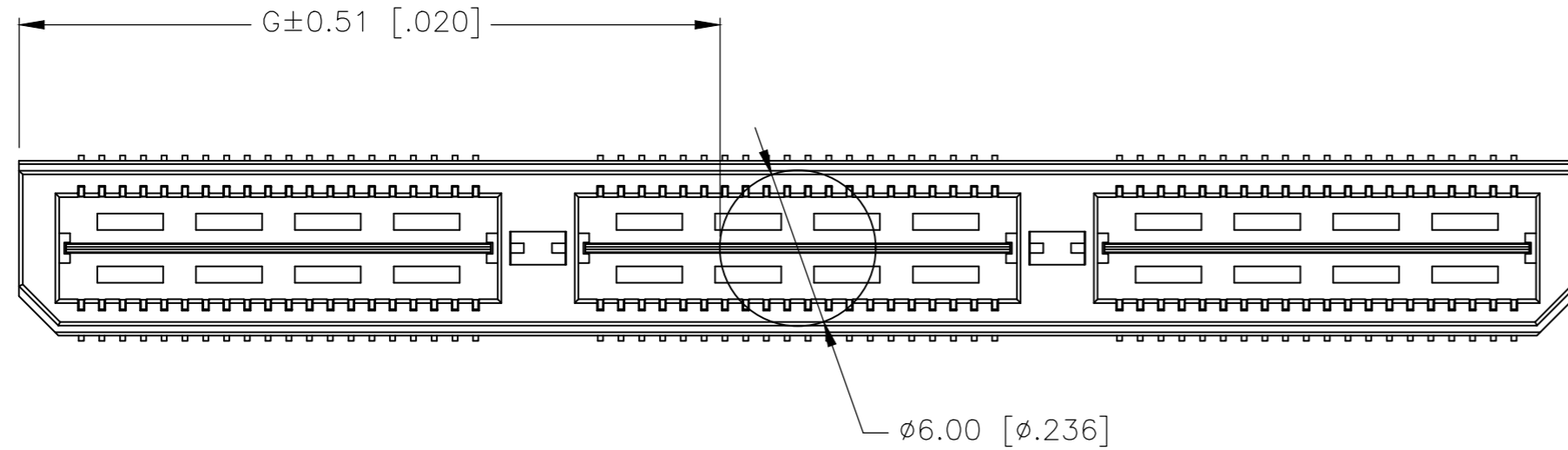
DIFFERENTIAL PAIR LOADING
 (BOTTOM VIEW)
 SCALE 2:1

| | | | |
|--|---------------------|----------------------------|---|
| THIS DRAWING IS A CONTROLLED DOCUMENT. | | DWN B.CARBO 27JAN03 | TE Connectivity Ltd. |
| DIMENSIONS: mm [INCHES] | | CHK D.DIXON 27JAN03 | |
| TOLERANCES UNLESS OTHERWISE SPECIFIED: | | APVD D.DIXON 27JAN03 | NAME HEADER ASSEMBLY, 16.0MM [.630] VERTICAL, 0.80MM CL, MICTOR SB |
| 0 PLC ± - | 1 PLC ± 0.3[.01] | PRODUCT SPEC | SIZE A2 |
| 2 PLC ± 0.13[.005] | 3 PLC ± 0.05[.0020] | APPLICATION SPEC | CAGE CODE 00779 |
| 4 PLC ± - | ANGLES ± 2° | FINISH | DRAWING NO C=1658016 |
| MATERIAL | FINISH | WEIGHT | RESTRICTED TO |
| 1 | 2 | CUSTOMER DRAWING | SCALE 3:1 |
| | | | SHEET 1 of 2 |
| | | | REV L |

1658016

THIS DRAWING IS UNPUBLISHED. RELEASED FOR PUBLICATION
 © COPYRIGHT - By - ALL RIGHTS RESERVED.

| REVISIONS | | | | | |
|-----------|-----|-------------|------|-----|------|
| P | LTR | DESCRIPTION | DATE | DWN | APVD |
| - | - | SEE SHEET 1 | - | - | - |



| | | | | | | | | | | | |
|--------------|--------------|---|--------------|--------------|--------------|---------------|----------------------|----------------|------------|-----------|-------------|
| 27.01(1.063) | 40.00(1.575) | 2 | 0.102(.0040) | 58.50(2.303) | 55.20(2.173) | 60.00(2.362) | YES | POCKET TAPE | YES | 84 | 7-1658016-3 |
| 17.00(.669) | 20.00(.7874) | 1 | 0.102(.0040) | 38.48(1.515) | 35.20(1.386) | 40.00(1.575) | YES | POCKET TAPE | YES | 56 | 7-1658016-2 |
| 6.99(.275) | 0(.000) | 0 | 0.102(.0040) | 18.49(.728) | 15.20(.598) | 20.00(.787) | YES | POCKET TAPE | YES | 28 | 7-1658016-1 |
| 27.01(1.063) | 40.00(1.575) | 2 | 0.102(.0040) | 58.50(2.303) | 55.20(2.173) | 60.00(2.362) | YES | POCKET TAPE | NO | 120 | 6-1658016-3 |
| 17.00(.669) | 20.00(.7874) | 1 | 0.102(.0040) | 38.48(1.515) | 35.20(1.386) | 40.00(1.575) | YES | POCKET TAPE | NO | 80 | 6-1658016-2 |
| 6.99(.275) | 0(.000) | 0 | 0.102(.0040) | 18.49(.728) | 15.20(.598) | 20.00(.787) | YES | POCKET TAPE | NO | 40 | 6-1658016-1 |
| - | 40.00(1.575) | 2 | 0.102(.0040) | 58.50(2.303) | 55.20(2.173) | 60.00(2.362) | NO | POCKET TAPE | YES | 84 | 5-1658016-3 |
| - | 20.00(.7874) | 1 | 0.102(.0040) | 38.48(1.515) | 35.20(1.386) | 40.00(1.575) | NO | POCKET TAPE | YES | 56 | 5-1658016-2 |
| - | 0(.000) | 0 | 0.102(.0040) | 18.49(.728) | 15.20(.598) | 20.00(.787) | NO | POCKET TAPE | YES | 28 | 5-1658016-1 |
| - | 40.00(1.575) | 2 | 0.102(.0040) | 58.50(2.303) | 55.20(2.173) | 60.00(2.362) | NO | POCKET TAPE | NO | 120 | 4-1658016-3 |
| - | 20.00(.7874) | 1 | 0.102(.0040) | 38.48(1.515) | 35.20(1.386) | 40.00(1.575) | NO | POCKET TAPE | NO | 80 | 4-1658016-2 |
| - | 0(.000) | 0 | 0.102(.0040) | 18.49(.728) | 15.20(.598) | 20.00(.787) | NO | POCKET TAPE | NO | 40 | 4-1658016-1 |
| 47.00(1.850) | 80.00(3.150) | 4 | 0.152(.0060) | 98.50(3.748) | 95.20(3.748) | 100.00(3.937) | YES | TRAY | YES | 140 | 3-1658016-5 |
| 37.02(1.457) | 60.00(2.362) | 3 | 0.152(.0060) | 78.49(3.090) | 75.20(2.961) | 80.00(3.150) | YES | TRAY | YES | 112 | 3-1658016-4 |
| 27.01(1.063) | 40.00(1.575) | 2 | 0.102(.0040) | 58.50(2.303) | 55.20(2.173) | 60.00(2.362) | YES | TRAY | YES | 84 | 3-1658016-3 |
| 17.00(.669) | 20.00(.7874) | 1 | 0.102(.0040) | 38.48(1.515) | 35.20(1.386) | 40.00(1.575) | YES | TRAY | YES | 56 | 3-1658016-2 |
| 6.99(.275) | 0(.000) | 0 | 0.102(.0040) | 18.49(.728) | 15.20(.598) | 20.00(.787) | YES | TRAY | YES | 28 | 3-1658016-1 |
| 47.00(1.850) | 80.00(3.150) | 4 | 0.152(.0060) | 98.50(3.748) | 95.20(3.748) | 100.00(3.937) | YES | TRAY | NO | 200 | 2-1658016-5 |
| 37.02(1.457) | 60.00(2.362) | 3 | 0.152(.0060) | 78.49(3.090) | 75.20(2.961) | 80.00(3.150) | YES | TRAY | NO | 160 | 2-1658016-4 |
| 27.01(1.063) | 40.00(1.575) | 2 | 0.102(.0040) | 58.50(2.303) | 55.20(2.173) | 60.00(2.362) | YES | TRAY | NO | 120 | 2-1658016-3 |
| 17.00(.669) | 20.00(.7874) | 1 | 0.102(.0040) | 38.48(1.515) | 35.20(1.386) | 40.00(1.575) | YES | TRAY | NO | 80 | 2-1658016-2 |
| 6.99(.275) | 0(.000) | 0 | 0.102(.0040) | 18.49(.728) | 15.20(.598) | 20.00(.787) | YES | TRAY | NO | 40 | 2-1658016-1 |
| - | 80.00(3.150) | 4 | 0.152(.0060) | 98.50(3.748) | 95.20(3.748) | 100.00(3.937) | NO | TRAY | YES | 140 | 1-1658016-5 |
| - | 60.00(2.362) | 3 | 0.152(.0060) | 78.49(3.090) | 75.20(2.961) | 80.00(3.150) | NO | TRAY | YES | 112 | 1-1658016-4 |
| - | 40.00(1.575) | 2 | 0.102(.0040) | 58.50(2.303) | 55.20(2.173) | 60.00(2.362) | NO | TRAY | YES | 84 | 1-1658016-3 |
| - | 20.00(.7874) | 1 | 0.102(.0040) | 38.48(1.515) | 35.20(1.386) | 40.00(1.575) | NO | TRAY | YES | 56 | 1-1658016-2 |
| - | 0(.000) | 0 | 0.102(.0040) | 18.49(.728) | 15.20(.598) | 20.00(.787) | NO | TRAY | YES | 28 | 1-1658016-1 |
| - | 80.00(3.150) | 4 | 0.152(.0060) | 98.50(3.748) | 95.20(3.748) | 100.00(3.937) | NO | TRAY | NO | 200 | 1658016-5 |
| - | 60.00(2.362) | 3 | 0.152(.0060) | 78.49(3.090) | 75.20(2.961) | 80.00(3.150) | NO | TRAY | NO | 160 | 1658016-4 |
| - | 40.00(1.575) | 2 | 0.102(.0040) | 58.50(2.303) | 55.20(2.173) | 60.00(2.362) | NO | TRAY | NO | 120 | 1658016-3 |
| - | 20.00(.7874) | 1 | 0.102(.0040) | 38.48(1.515) | 35.20(1.386) | 40.00(1.575) | NO | TRAY | NO | 80 | 1658016-2 |
| - | 0(.000) | 0 | 0.102(.0040) | 18.49(.728) | 15.20(.598) | 20.00(.787) | NO | TRAY | NO | 40 | 1658016-1 |
| G | F | E | D | C | B | A | POLYIMIDE FILM PAD ▲ | PACKAGING TYPE | DIFF. PAIR | NO OF POS | PART NUMBER |

THIS DRAWING IS A CONTROLLED DOCUMENT.

DIMENSIONS: mm [INCHES]

TOLERANCES UNLESS OTHERWISE SPECIFIED:

| | |
|--------|----------------|
| 0 PLC | ± - |
| 1 PLC | ± 0.3[.01] |
| 2 PLC | ± 0.13[.005] |
| 3 PLC | ± 0.051[.0020] |
| 4 PLC | ± - |
| ANGLES | ± 2° |

MATERIAL: SEE SHEET 1

FINISH: SEE SHEET 1

WEIGHT: -

CUSTOMER DRAWING

DWN: B.CARBO 27JAN03

CHK: D.DIXON 27JAN03

APVD: D.DIXON 27JAN03

PRODUCT SPEC: -

APPLICATION SPEC: -

WEIGHT: -

SCALE: 3:1

SHEET: 2 of 2

REV: L

TE Connectivity Ltd.

HEADER ASSEMBLY, 16.0MM [.630] VERTICAL, 0.80MM CL, MICTOR SB

SIZE: A2

CAGE CODE: 00779

DRAWING NO: C=1658016

RESTRICTED TO: -

X-ON Electronics

Largest Supplier of Electrical and Electronic Components

Click to view similar products for [Board to Board & Mezzanine Connectors](#) category:

Click to view products by [TE Connectivity](#) manufacturer:

Other Similar products are found below :

[589158040000018](#) [MDF7C-18P-2.54DSA\(55\)](#) [FCN-230C068-11](#) [FCN-268F012-G/BD](#) [FCN-268F036-G/BD](#) [FCN-268M012-G/0D](#) [FCN-268M024-G/1D](#) [FCN-723J004/1](#) [MIS-048-01-F-D-DP-K](#) [832-10-034-10-001000](#) [FX4C-80S-1.27DSA](#) [FCN-214Q030-G/0](#) [FCN-234P048-G/0](#) [FCN-235D050-G/C](#) [210-93-314-41-105000](#) [2-22603-0](#) [MDF7-40DP-2.54DSA\(55\)](#) [AXG720047](#) [5031084030](#) [MIT-114-03-F-D-K](#) [55323-1519](#) [DF33-2P-3.3DSA\(24\)](#) [YFT-20-05-H-03-SB-K](#) [503308-3040](#) [026-6203-PDB](#) [027-6203-PDB](#) [069159702701000](#) [10123981-102LF](#) [101A10019X](#) [55650-0588-C](#) [68682-310LF](#) [68684-306](#) [75140-7012](#) [87471-650](#) [194261-1](#) [FCN-268F024-G0D](#) [10124054-515LF](#) [68685-603](#) [8-1616154-3](#) [MIS-019-01-F-D](#) [541371078](#) [IL-WX-10PB-HF-B-E1000E](#) [FCN-268M024-G/3D](#) [20021832-06016C1LF](#) [KX15-20KLDL-E1000E](#) [MDF7-16DP-2.54DSA\(55\)](#) [AXE810124](#) [FCN-214J100-G/0](#) [FCN-230C068-E/S](#) [AXE812124](#)