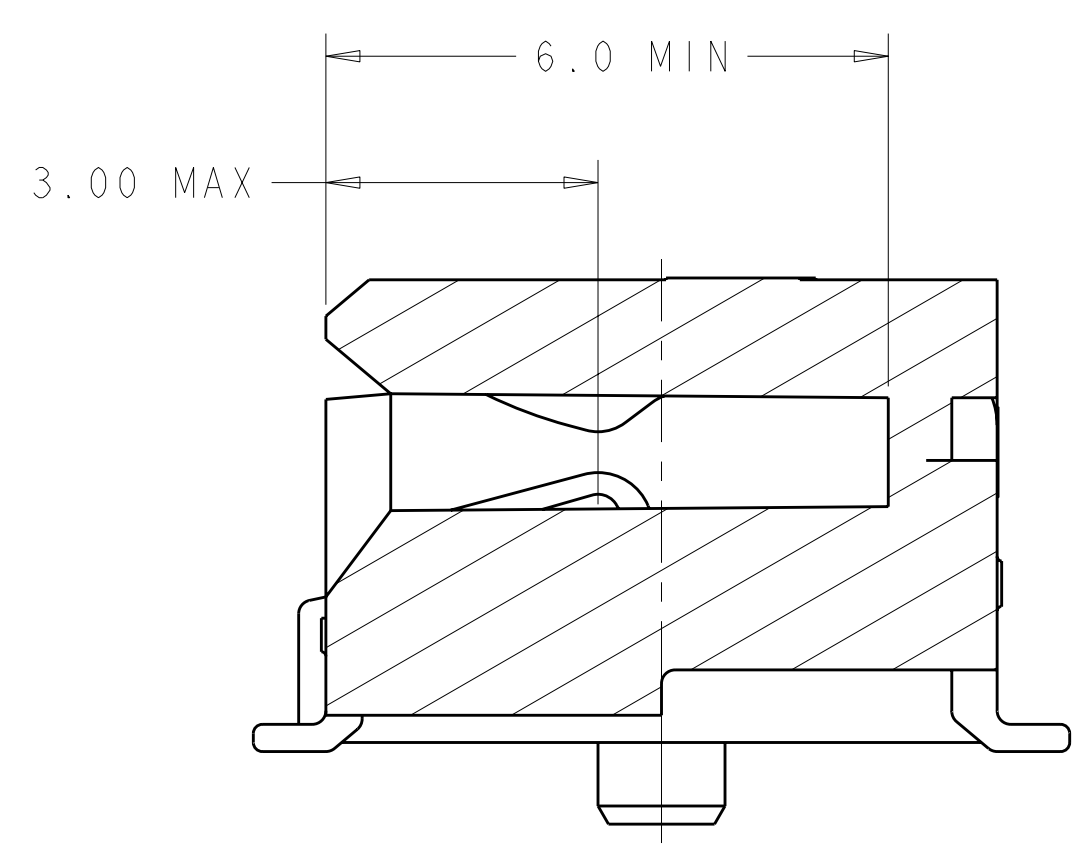
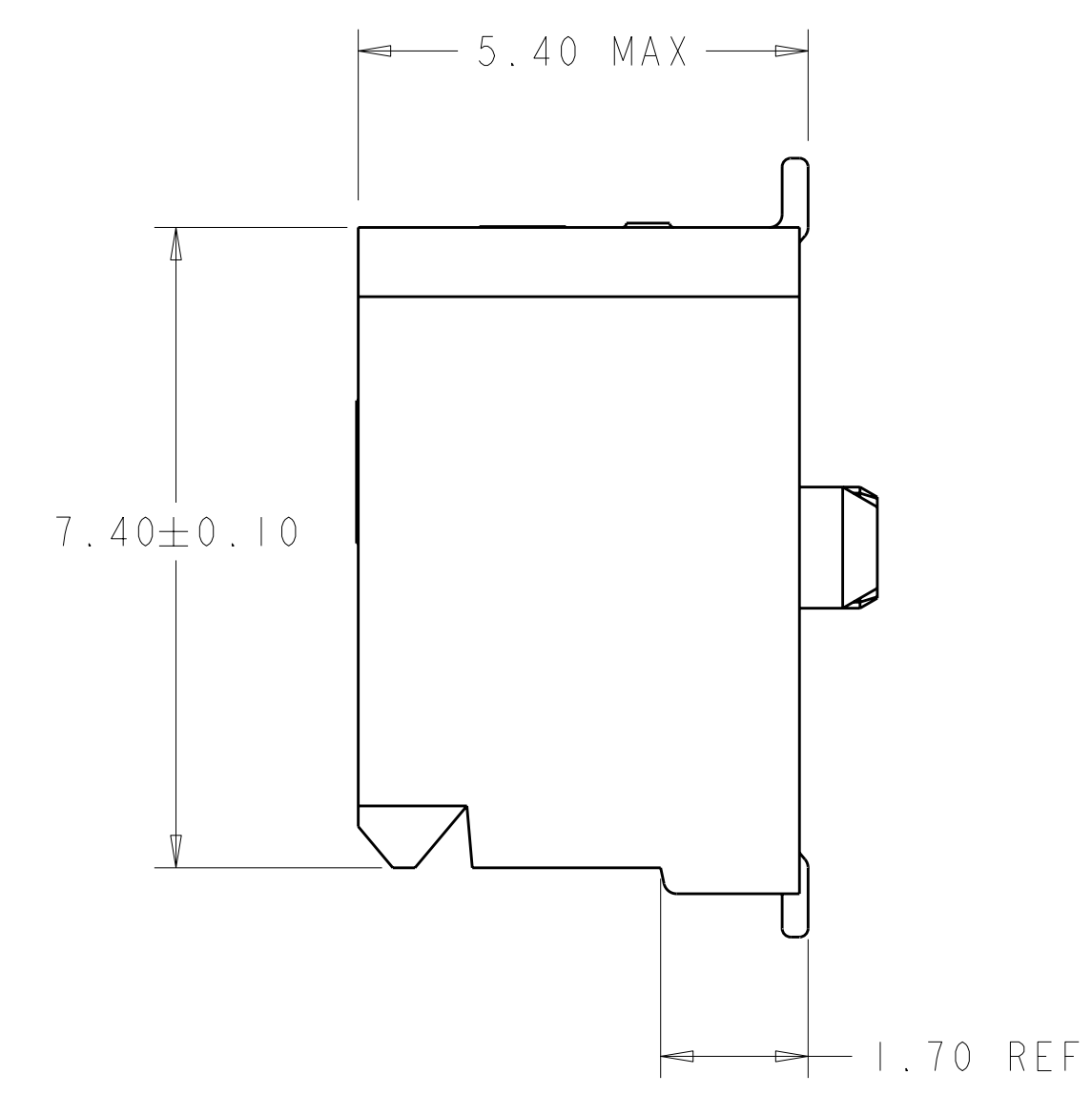
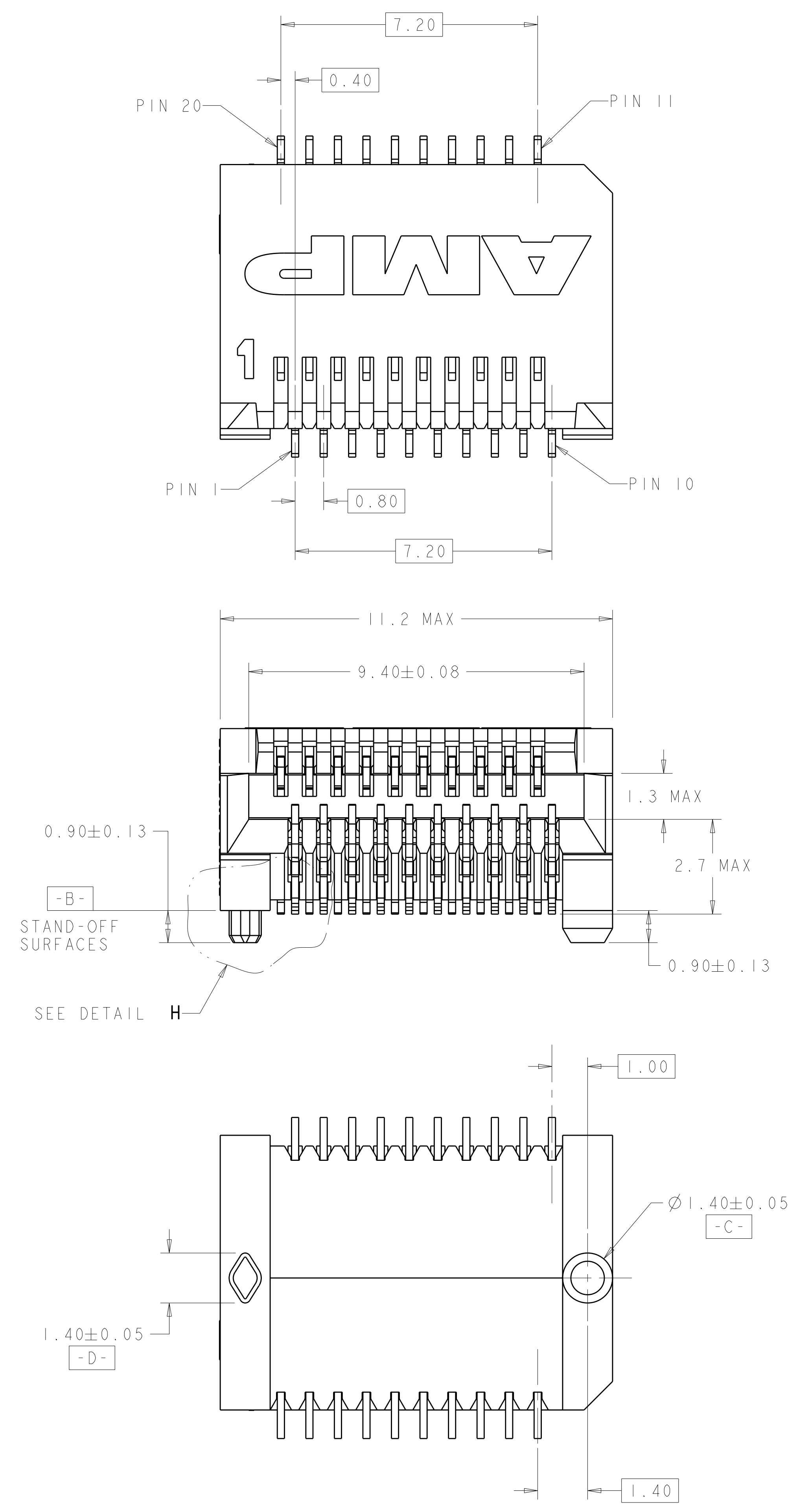
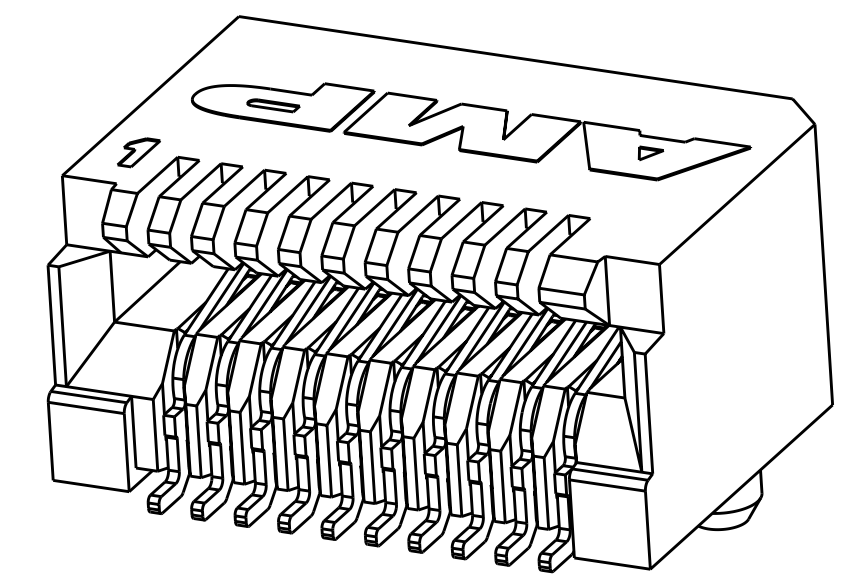


LOC	DIST	REV	DATE	BY	CHKD	APVD
ES	00	D1	17MAR2011	RK	HMR	

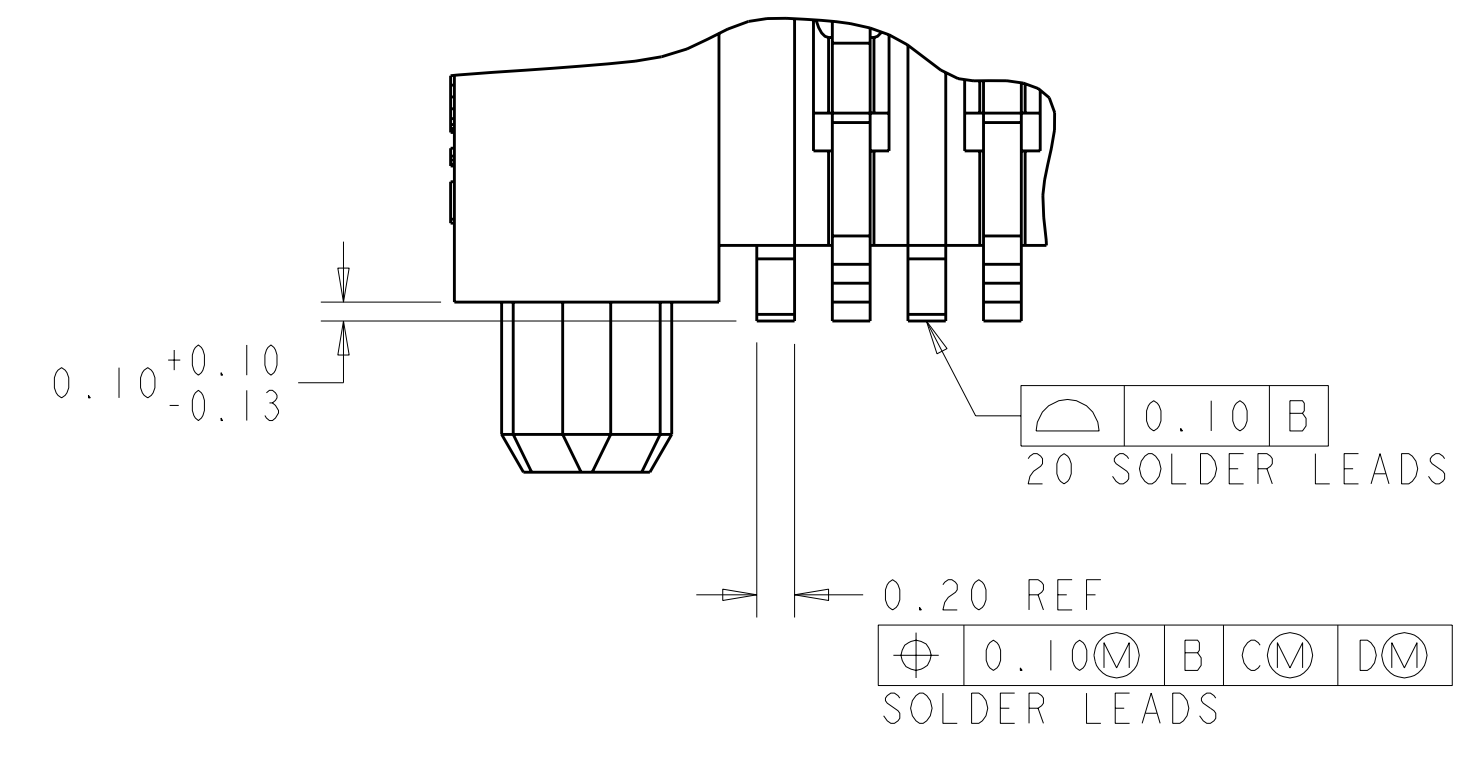


SECTION Z-Z

- PART COMPATIBLE WITH SFP MSA. REFER TO THE SFP MSA FOR DIMENSIONS NOT SHOWN ON THIS PRINT.
- HOUSING: HIGH TEMPERATURE LCP, UL 94V-0 RATED, BLACK. CONTACTS: PHOSPHOR BRONZE.
- CONTACTS: 0.00076 MIN GOLD IN CONTACT AREA, 0.00013 MIN GOLD ON SOLDER AREA, OVER 0.0038 MIN NICKEL UNDERPLATE ON ENTIRE CONTACT. LUBRICANT ON GOLD PLATE CONTACT AREAS.
- PACKAGED 480 PIECES PER REEL.
- DATUMS AND BASIC DIMENSIONS TO BE ESTABLISHED BY CUSTOMER, SEE DRAWING 1367034 FOR LAYOUT WHEN USED WITH 1367034-1 BOTTOM CAGE (STANDARD SFP APPLICATION).



SCALE 8:1

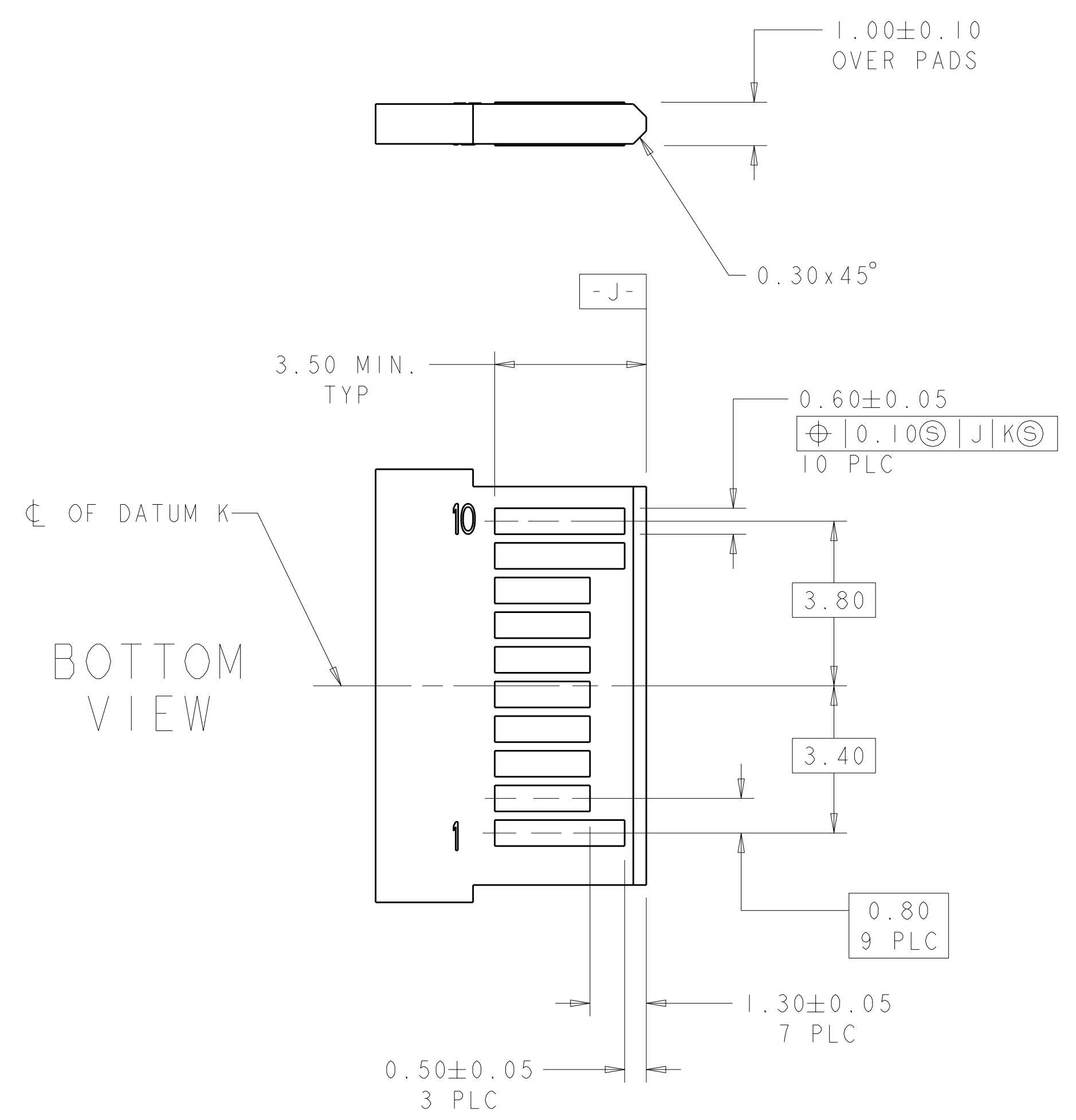
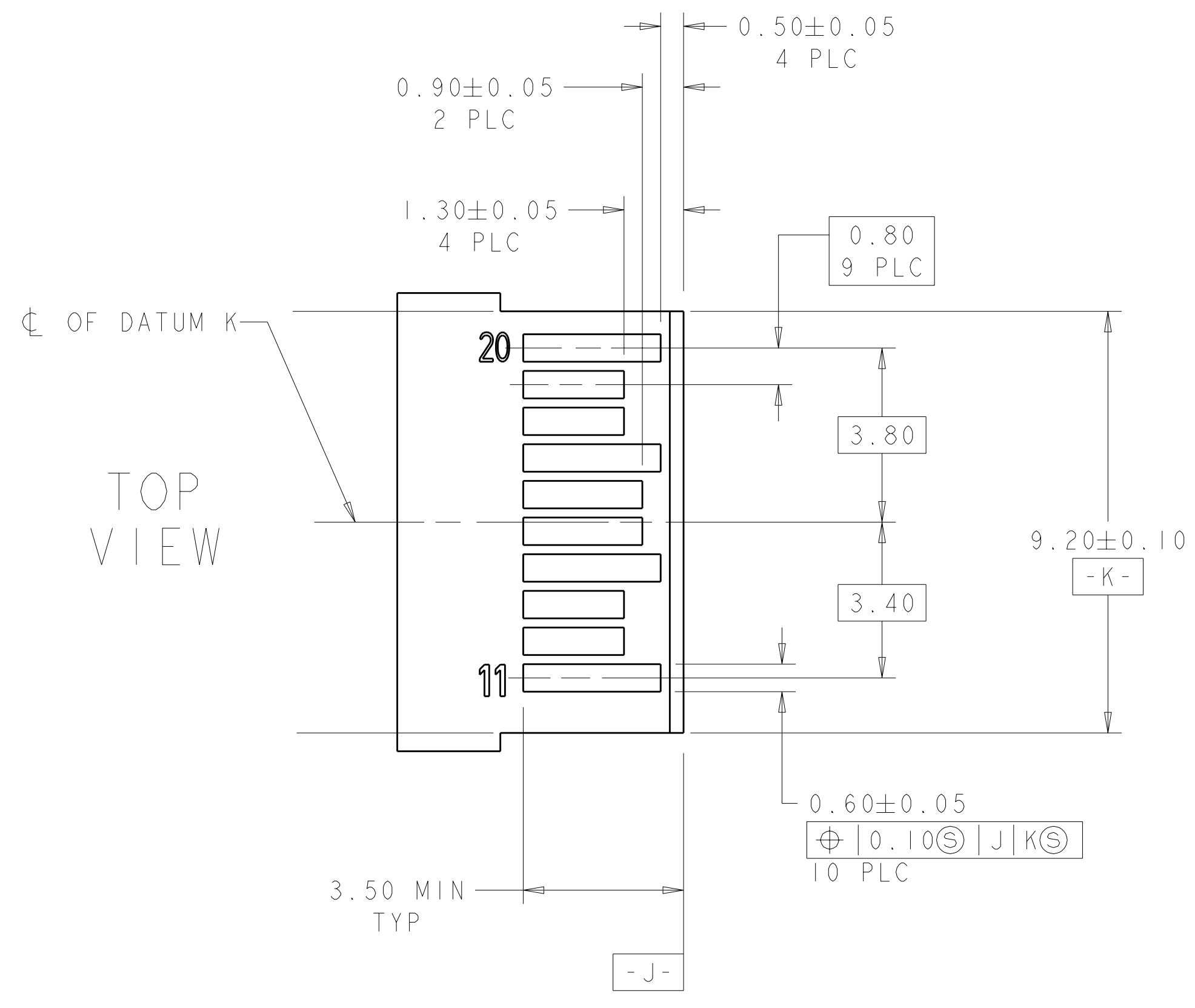


DETAIL H
SCALE 25:1

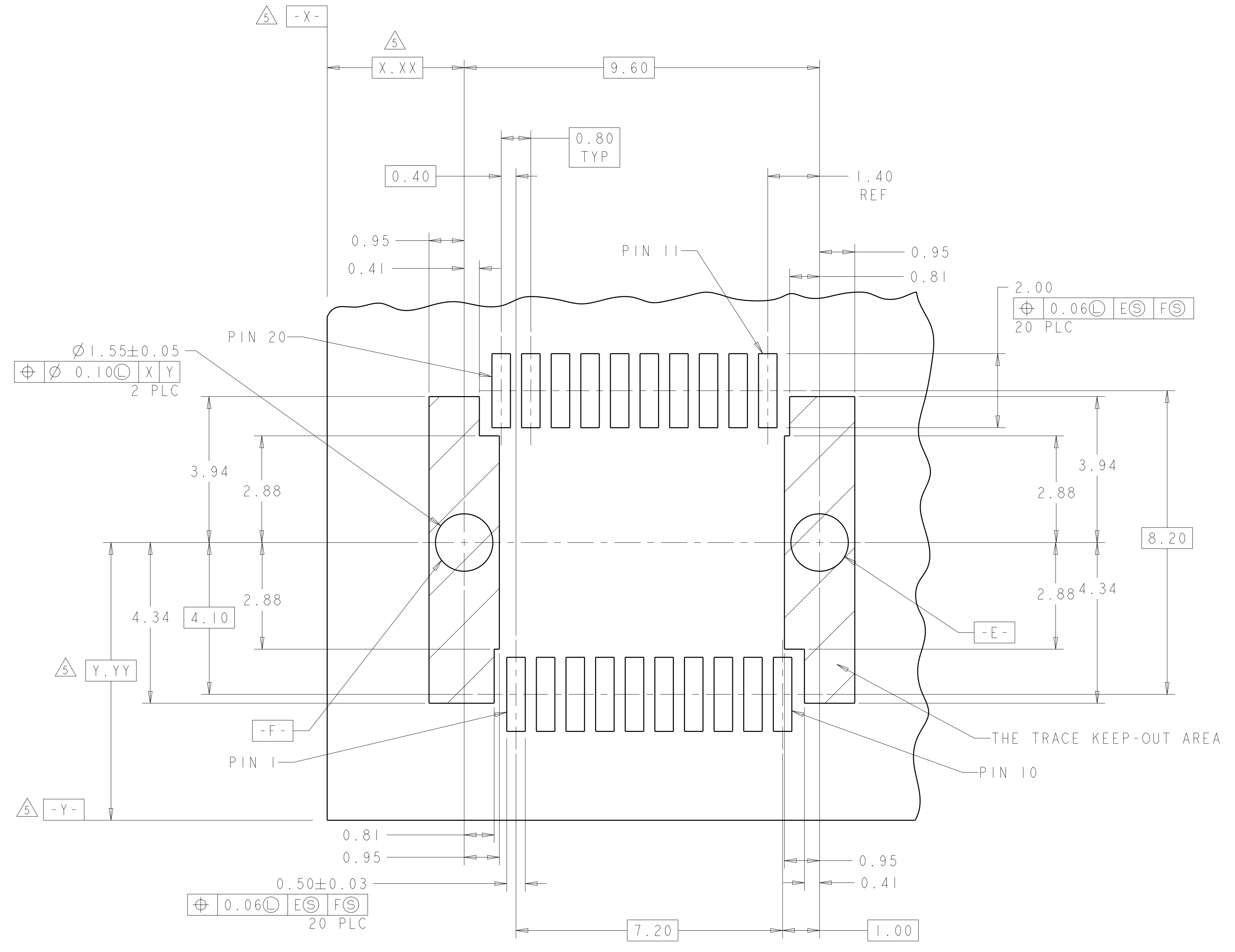
FINISH	1658197-1
PART NUMBER	

THIS DRAWING IS A CONTROLLED DOCUMENT.		OWN: J. GERACE 25NOV02	APVD: M. WALMSLEY 02SEP03		NAME: PT CONNECTOR ASSEMBLY, LUBED, 20 POSITION SFP, RIGHT ANGLE 0.8MM PITCH	
DIMENSIONS: mm		TOLERANCES UNLESS OTHERWISE SPECIFIED:	PRODUCT SPEC: 108-1949		SIZE: A100779 C=1658197	
MATERIAL: SEE TABLE		FINISH: SEE TABLE	APPLICATION SPEC: 114-13017		RESTRICTED TO: CUSTOMER DRAWING	
		WEIGHT: -		SCALE: 12:1		SHEET 1 OF 2

LOC	DIST	REV	DATE	BY	APPD
ES	00				
REVISIONS					
		SEE SHEET 1			



RECOMMENDED LAYOUT DETAIL
 MATING TRANSCEIVER PCB
 SCALE 10:1



RECOMMENDED PCB LAYOUT DETAIL
 CONNECTOR MOUNTING SIDE
 SCALE 14:1

THIS DRAWING IS A CONTROLLED DOCUMENT.		DWN J. GERACE 25NOV02		TE Connectivity	
DIMENSIONS: mm		CHK M. WALMSLEY 02SEP03			
TOLERANCES UNLESS OTHERWISE SPECIFIED:		APVD J. KOPPENHEFFER 02SEP03		NAME PT CONNECTOR ASSEMBLY, LUBED, 20 POSITION SFP, RIGHT ANGLE 0.8MM PITCH	
9 PLC ±		PRODUCT SPEC 108-1949		SIZE CAGE CODE DRAWING NO RESTRICTED TO	
2 PLC ±0.10		APPLICATION SPEC 114-13017		A100779C=1658197	
5 PLC ±		WEIGHT		SCALE 12:1 SHEET 2 OF 2 REV D1	
4 PLC ±		CUSTOMER DRAWING			
ANGLES ±					
FINISH					

X-ON Electronics

Largest Supplier of Electrical and Electronic Components

Click to view similar products for [I/O Connectors](#) category:

Click to view products by [TE Connectivity](#) manufacturer:

Other Similar products are found below :

[571763P](#) [72.250.1628.2](#) [72.250.2428.2](#) [74720-0505](#) [76.350.0729.0](#) [76871-1403](#) [FCN-244F080-G/1](#) [FCN-260A9920](#) [MP-5T180MUNNA-005](#)
[PCR-E36PM](#) [PCS-XE26MA+](#) [G38A71314B](#) [1571250010](#) [157-22500-3](#) [MS3471L14-19P L/C](#) [91-569786-35H](#) [172501-4002](#) [172501-6002](#)
[FCN-260C008-A/L0](#) [FCN-260C024-AL0](#) [FCN-261Z008](#) [2000314-1](#) [200331-1](#) [PCR-E36FC+](#) [PCS-E28FS+](#) [PCS-XE26SLFD+](#) [PCS-](#)
[XE26SLFDT+](#) [G730VID08BDC24](#) [HDMR-29-01-S-SM-TR](#) [U90B2054081210](#) [UE86K842720321](#) [38113800006](#) [DP3AR020WQ1R200](#)
[Z4.102.0680.0](#) [500-1040](#) [500-1052](#) [500-1054](#) [ZP-4008-66L](#) [0709821002](#) [10-565995-597N](#) [DX40-20P\(55\)](#) [5554841-1](#) [U90B3054061110](#)
[U65-E04-4020](#) [ZPF00000000097891](#) [557-262M2-06C](#) [747360449](#) [10099439-003C-TRLF](#) [10137239-0021LF](#) [E9320-001-01](#)