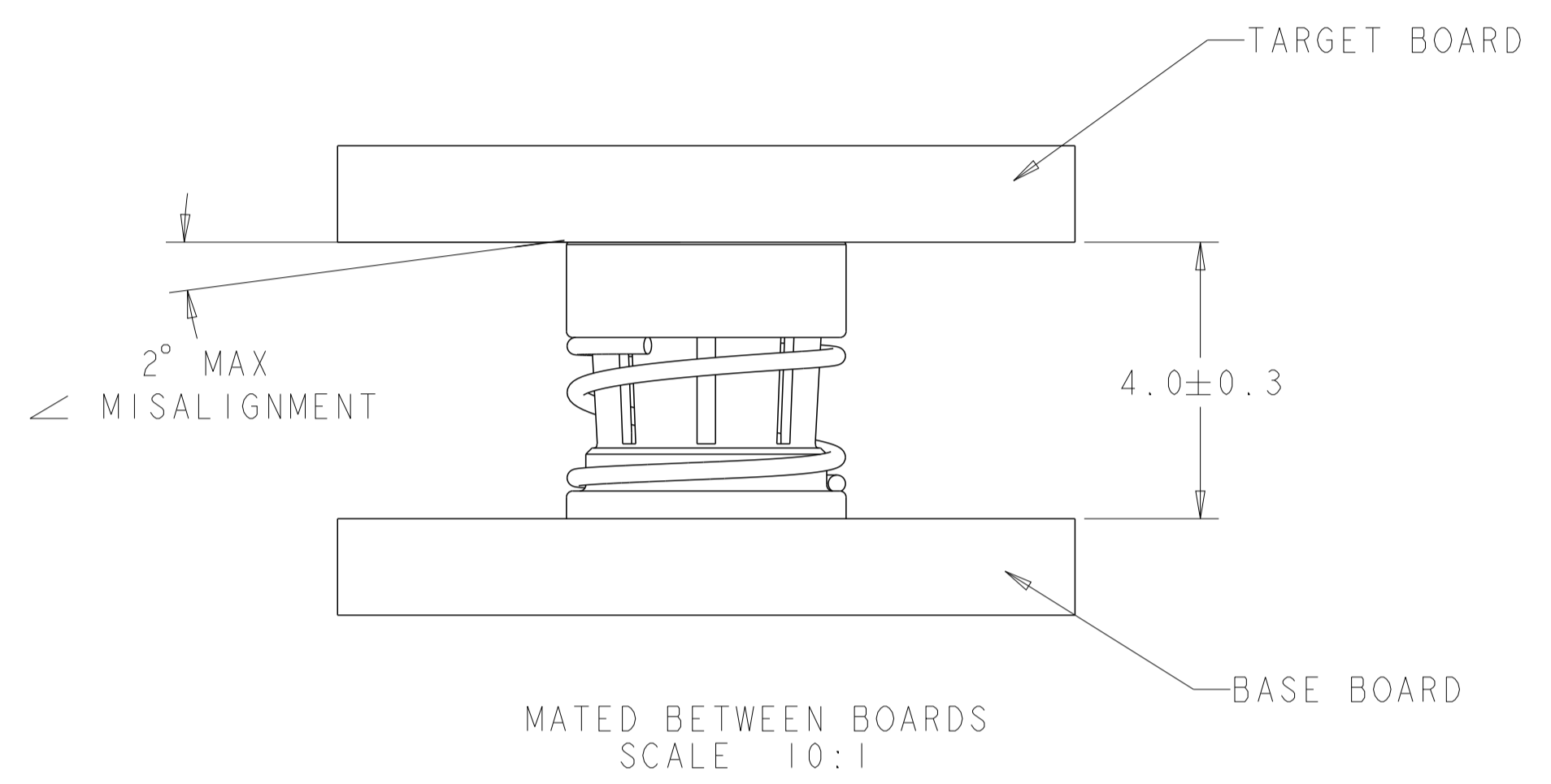
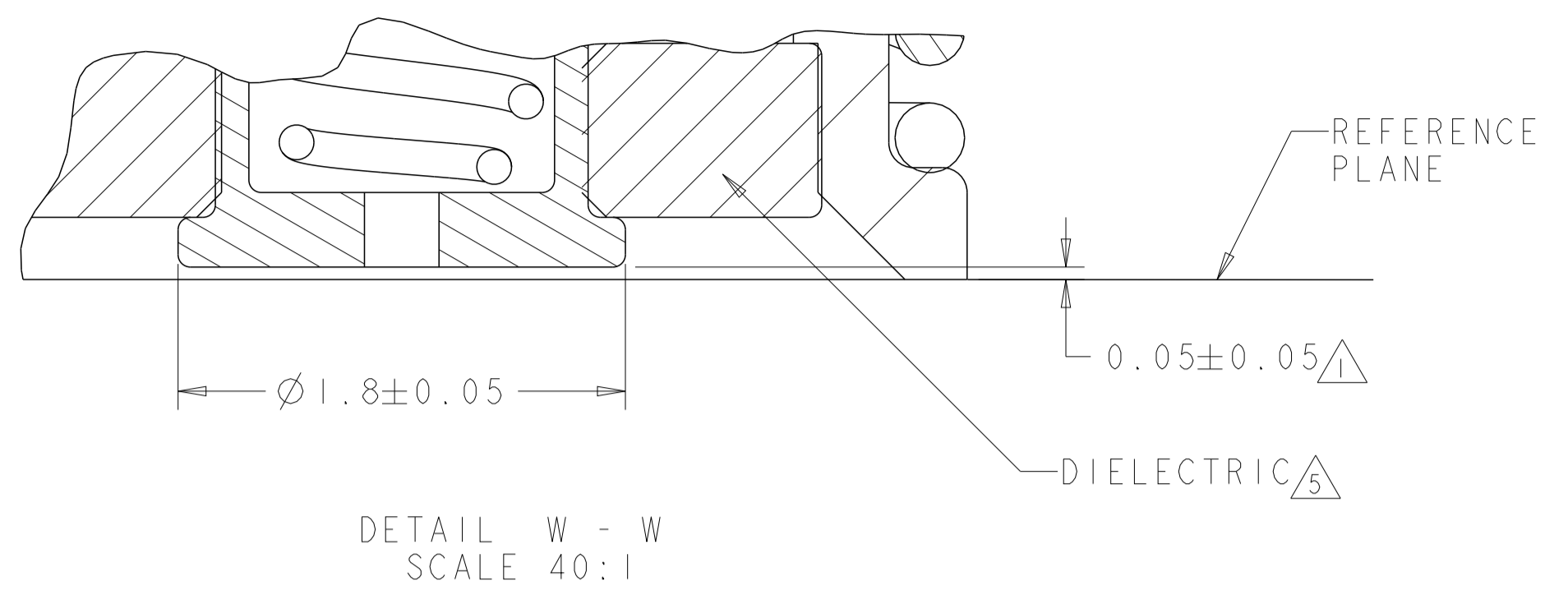
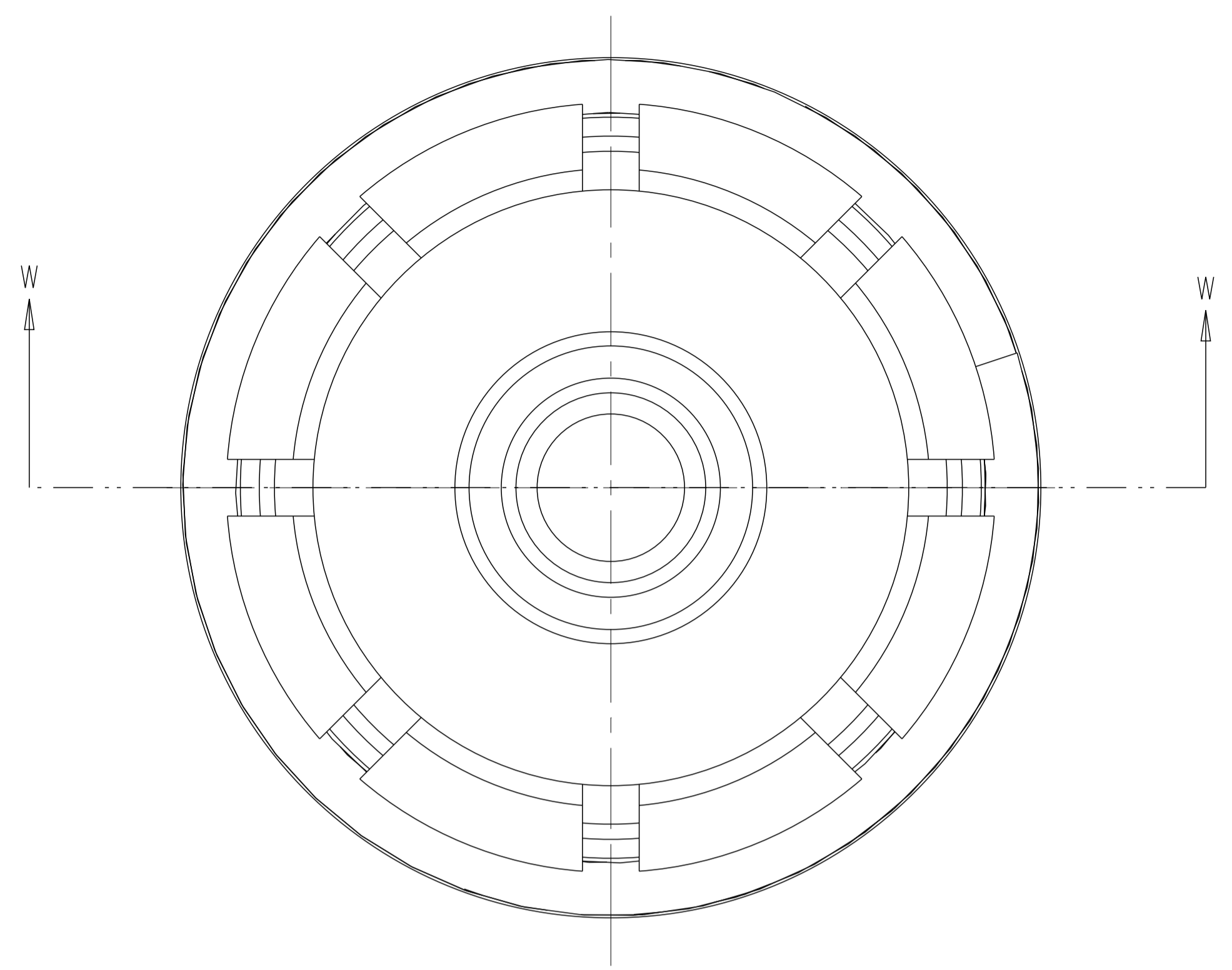
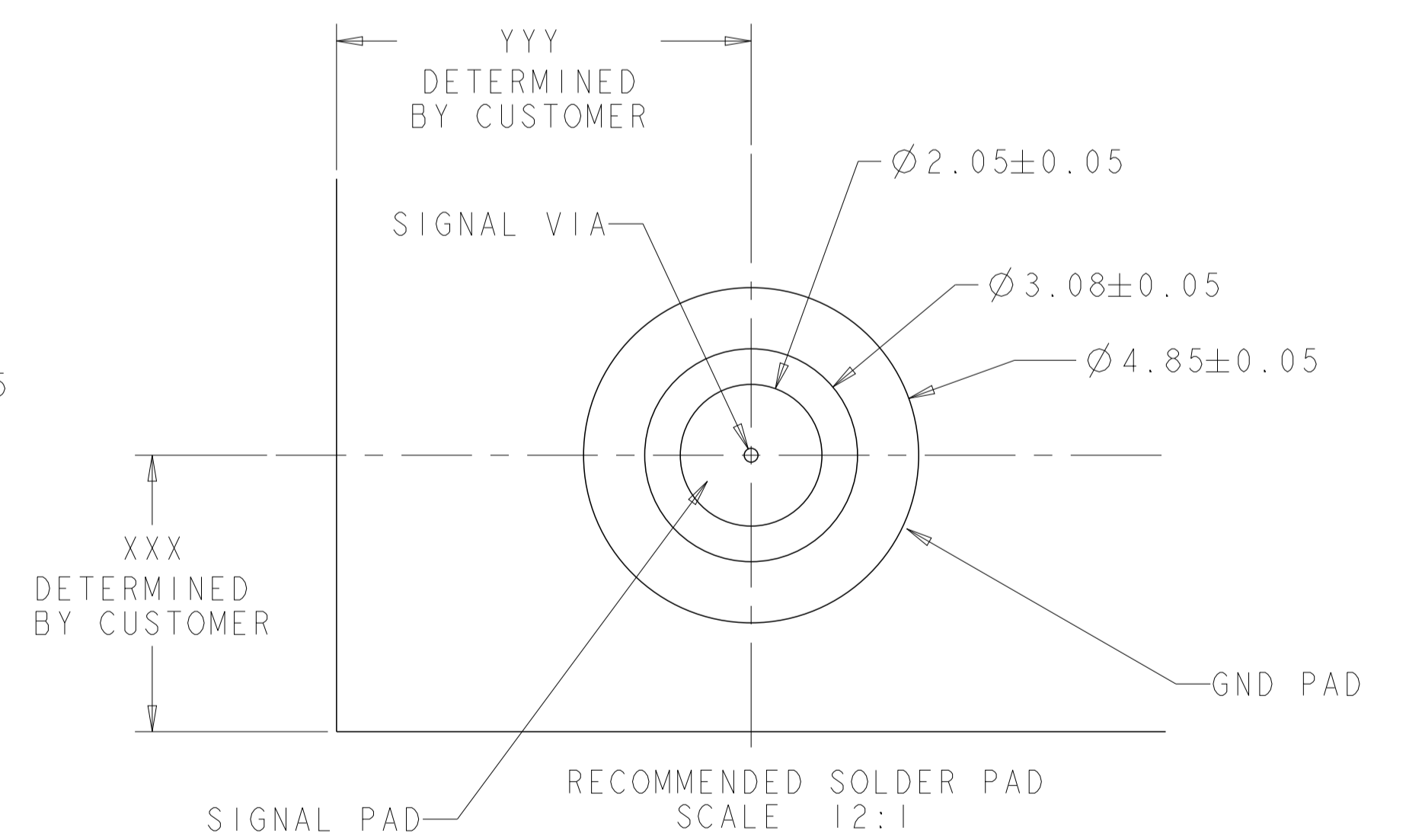
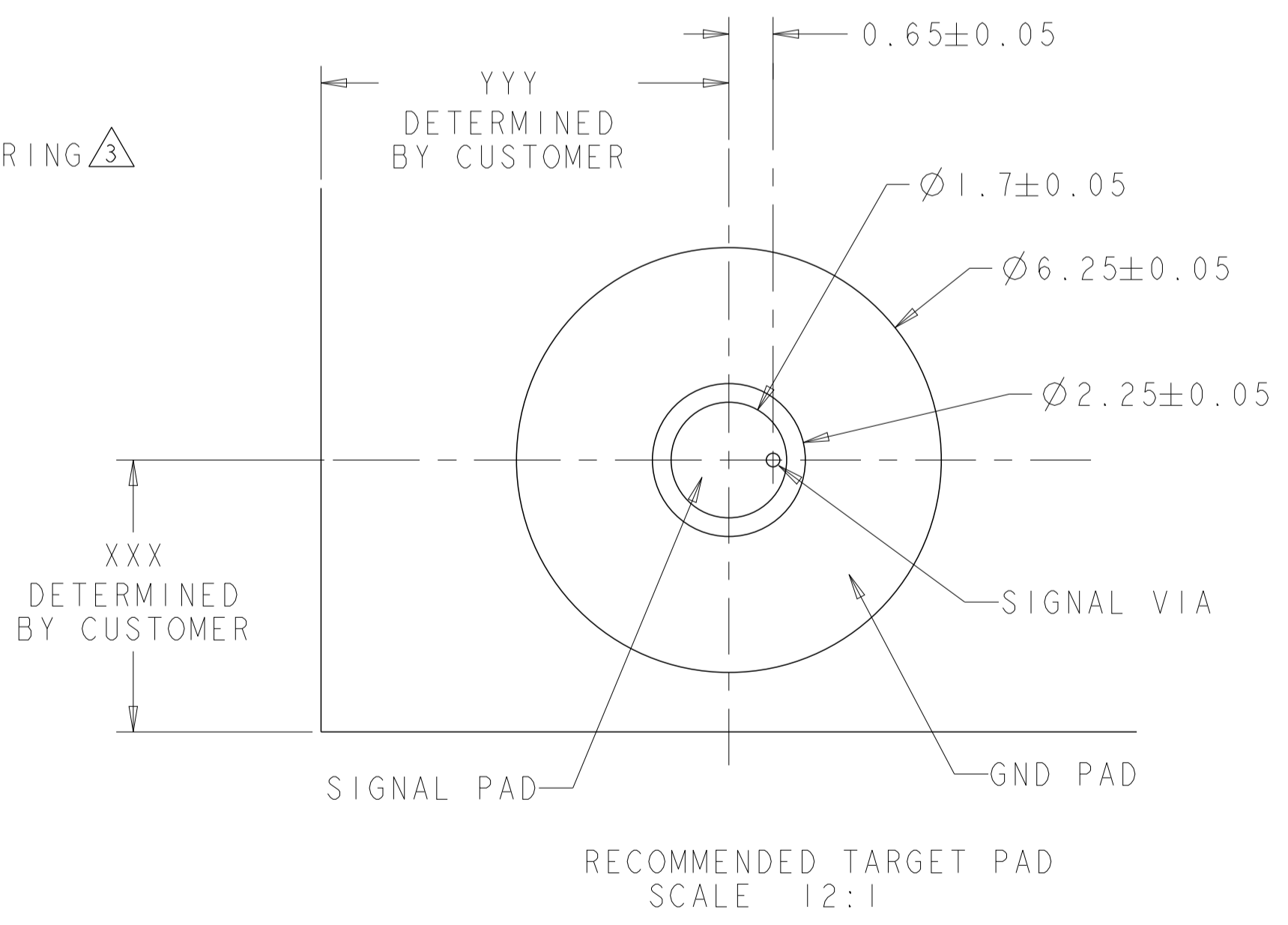
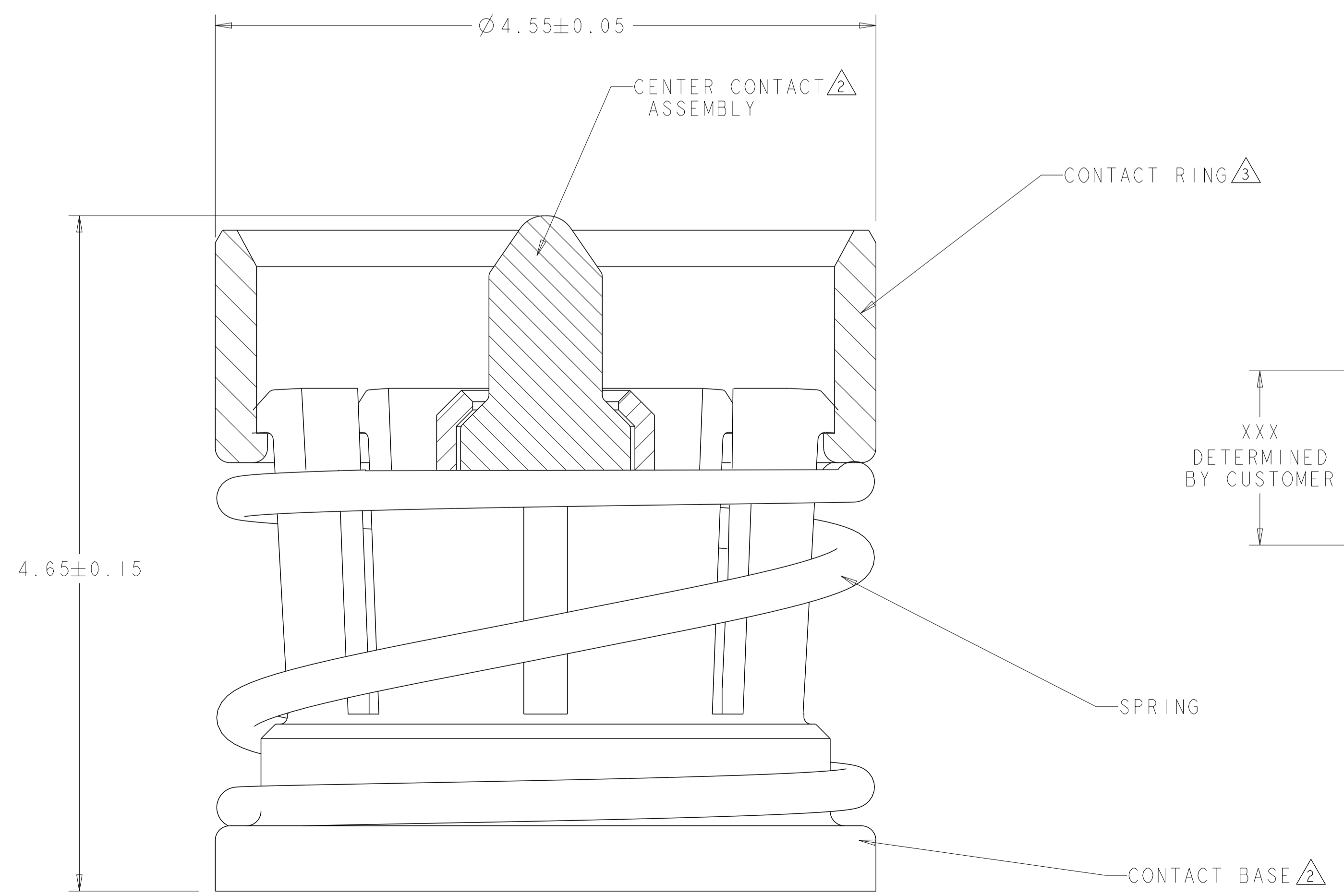
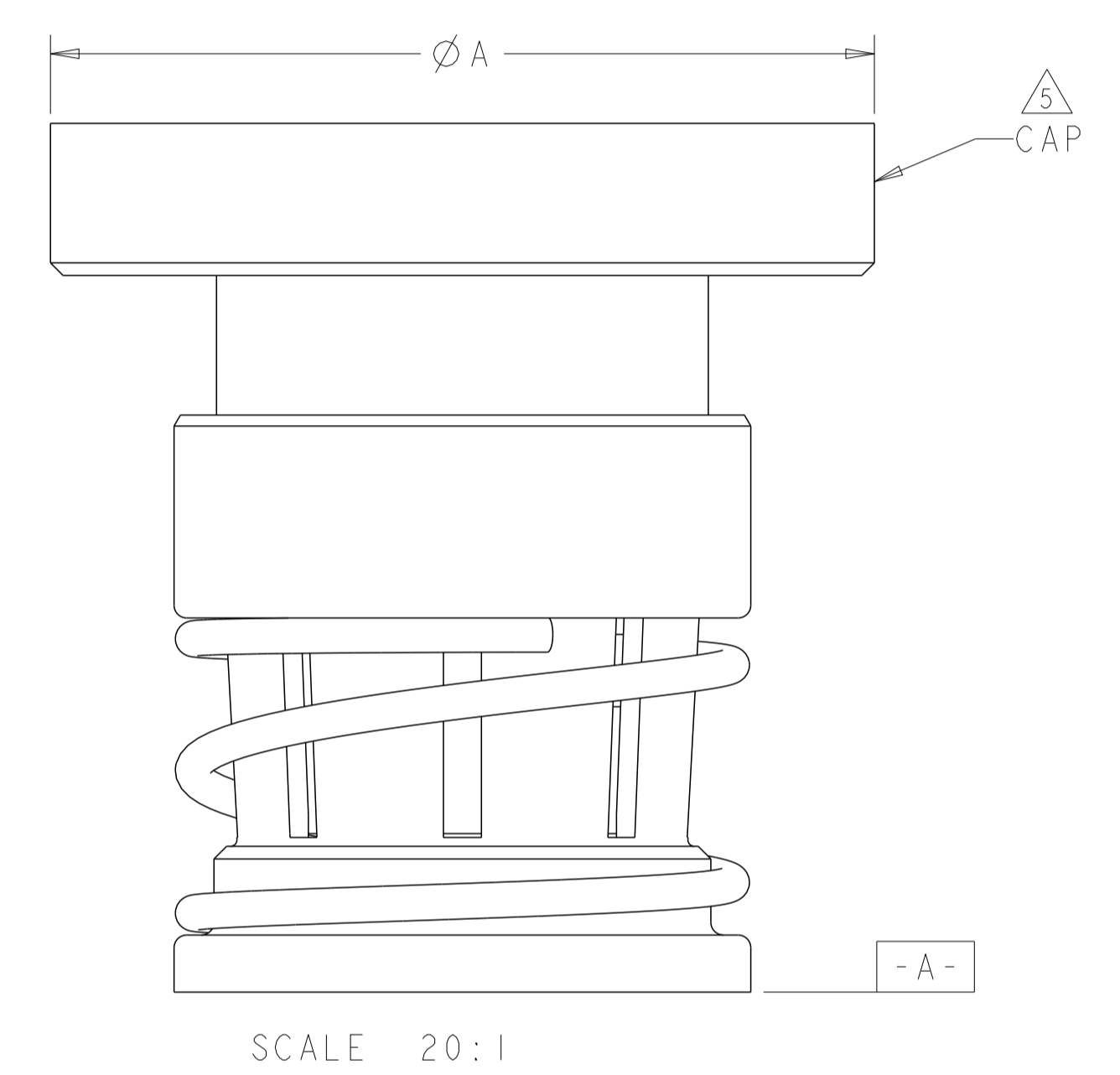


LOC	DIST	REVISIONS					
AG	00	P	LTH	DESCRIPTION	DATE	DWN	APVD
		E2		REVISED PER ECR-18-007695	31MAY2018	BW	RS
		E3		REVISED PER ECR-20-004158	26MAR2020	ED	RS
		F		REVISED PER ECR-20-013676	25SEP2020	ED	RS



- 1 POSITION CENTER CONTACT
- 2 MATERIAL: PHOS - BRONZE, PLATING: 0.3um MIN GOLD OVER 1.27um MIN NICKEL.
- 3 MATERIAL: BRASS, PLATING: 0.3um MIN GOLD OVER 1.27um MIN NICKEL.
- 4 MISALIGNMENT BETWEEN CONNECTOR AXIS AND TARGET PAD, 0.80 mm MAX.
- 5 MATERIAL: PTFE



QTY	DESCRIPTION	PART NUMBER
4.8	750 REELED CONNECTOR	I-1658260-2
4.8	L/P COAX CONNECTOR	I-1658260-1
6.5	750 REELED CONNECTOR	1658260-2
6.5	L/P COAX CONNECTOR	1658260-1

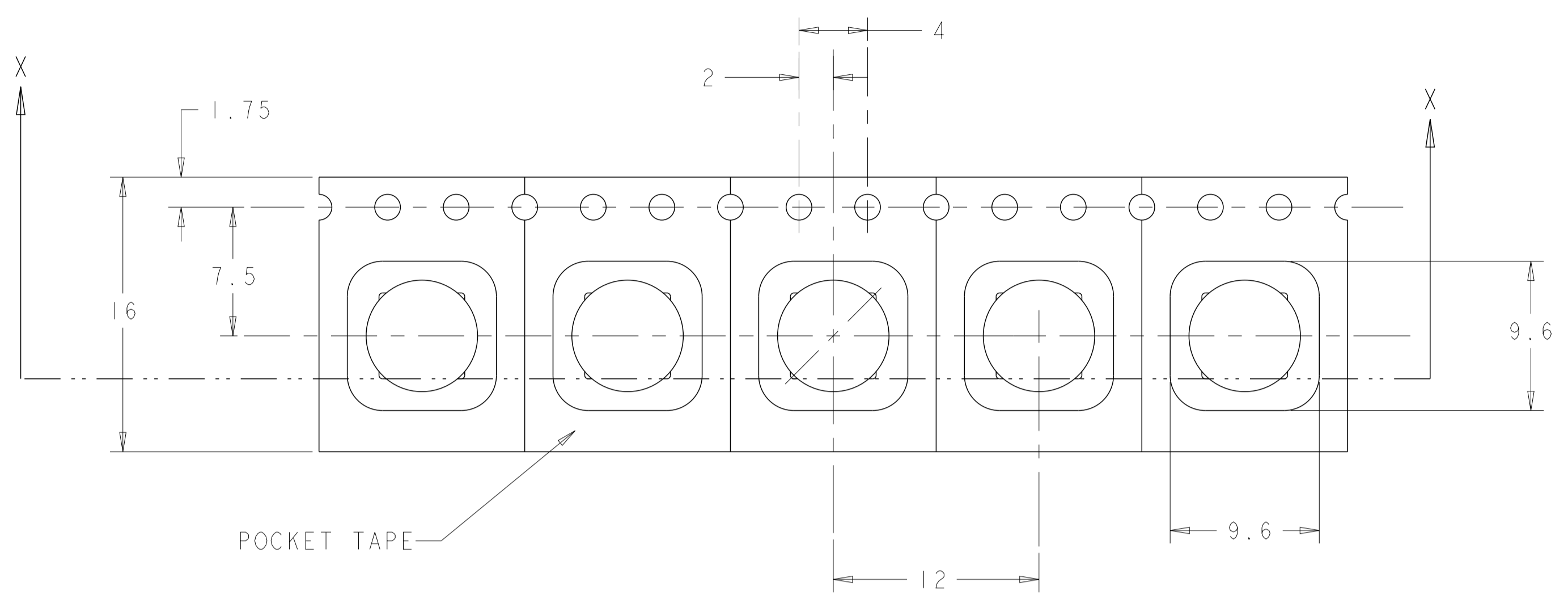
THIS DRAWING IS A CONTROLLED DOCUMENT.

STE TE Connectivity

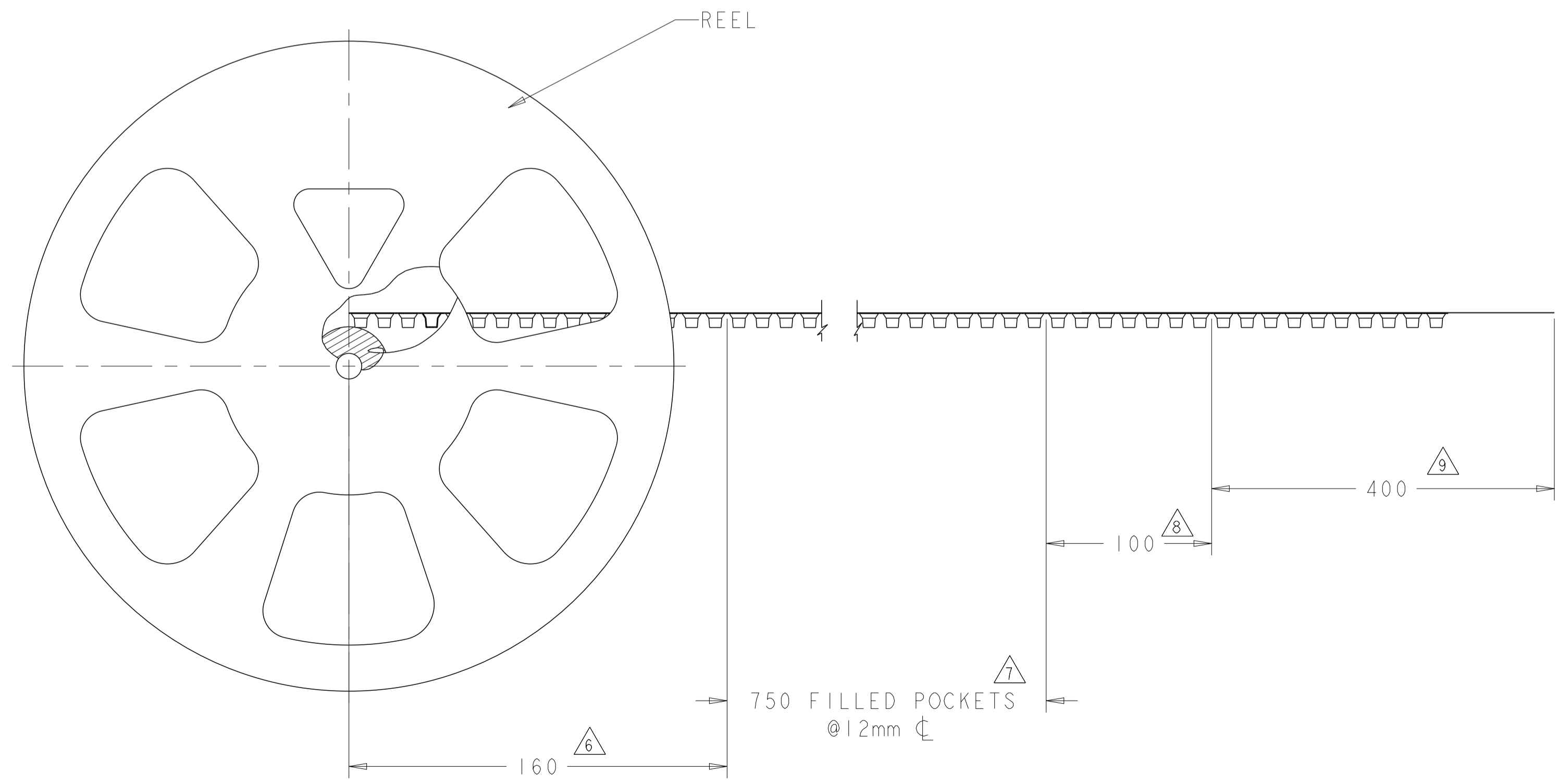
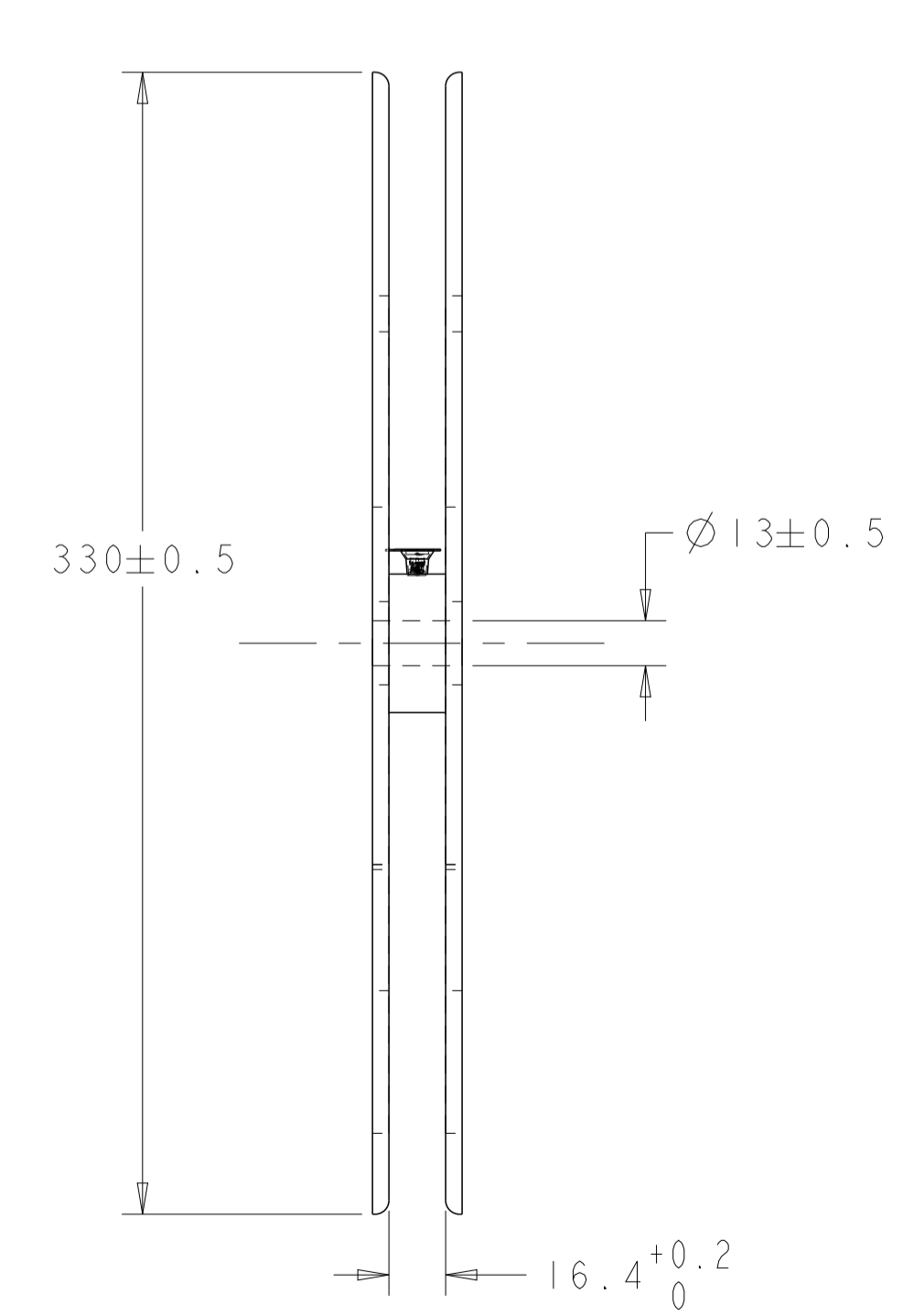
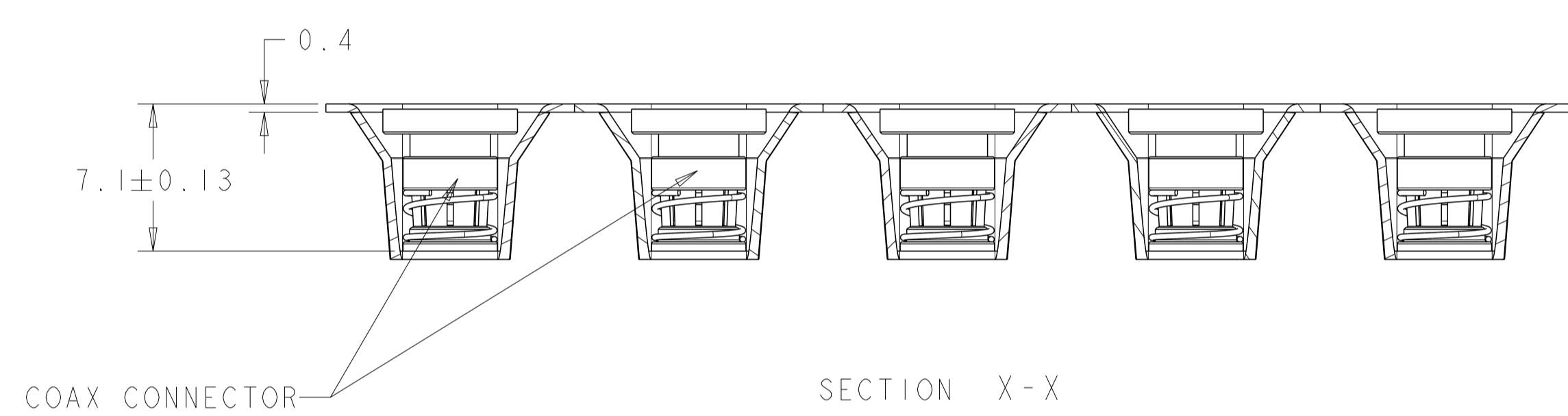
CONNECTOR, COAXIAL, BOARD TO BOARD 4.0 mm HEIGHT

SCALE 40:1 SHEET 1 OF 2 REV F

LOC		DIST		REVISIONS			
P	LTN	DESCRIPTION	DATE	DWN	APVD		
-	-	SEE SHEET 1	-	-	-		



- △ 6 TRAILER, EMPTY POCKETS WITH COVER TAPE.
- △ 7 CARRIER POCKETS FILLED WITH 1658260-2, WITH COVER TAPE.
- △ 8 LEADER, EMPTY POCKETS WITH COVER TAPE.
- △ 9 LEADER COVER TAPE.
- 10. REELED PRODUCT PER SPEC EIA 481



THIS DRAWING IS A CONTROLLED DOCUMENT.		DWN: HM VAN SCOIC 21JAN2003	TE Connectivity
DIMENSIONS: mm		CHK: M. PHILLIPS 21JAN2003	
TOLERANCES UNLESS OTHERWISE SPECIFIED:		APVD: M. PHILLIPS 21JAN2003	NAME: CONNECTOR, COAXIAL, BOARD TO BOARD 4.0 mm HEIGHT
0 PLC	±	PRODUCT SPEC	SIZE: A1
1 PLC	±0.2	APPLICATION SPEC	CAGE CODE: 1658260
2 PLC	±0.05	WEIGHT	SCALE: 40:1
3 PLC	±	CUSTOMER DRAWING	SHEET 2 OF 2
4 PLC	±		REV F
ANGLES	±1°		
FINISH			

X-ON Electronics

Largest Supplier of Electrical and Electronic Components

Click to view similar products for [Board to Board & Mezzanine Connectors](#) category:

Click to view products by [TE Connectivity](#) manufacturer:

Other Similar products are found below :

[589158040000018](#) [MDF7C-18P-2.54DSA\(55\)](#) [FCN-230C068-11](#) [FCN-268F012-G/BD](#) [FCN-268F036-G/BD](#) [FCN-268M012-G/0D](#) [FCN-268M024-G/1D](#) [FCN-723J004/1](#) [MIS-048-01-F-D-DP-K](#) [832-10-034-10-001000](#) [FX4C-80S-1.27DSA](#) [FCN-214Q030-G/0](#) [FCN-234P048-G/0](#) [FCN-235D050-G/C](#) [210-93-314-41-105000](#) [2-22603-0](#) [MDF7-40DP-2.54DSA\(55\)](#) [AXG720047](#) [5031084030](#) [MIT-114-03-F-D-K](#) [55323-1519](#) [DF33-2P-3.3DSA\(24\)](#) [YFT-20-05-H-03-SB-K](#) [503308-3040](#) [026-6203-PDB](#) [027-6203-PDB](#) [069159702701000](#) [10123981-102LF](#) [101A10019X](#) [55650-0588-C](#) [68682-310LF](#) [68684-306](#) [75140-7012](#) [87471-650](#) [194261-1](#) [FCN-268F024-G0D](#) [10124054-515LF](#) [68685-603](#) [8-1616154-3](#) [MIS-019-01-F-D](#) [541371078](#) [IL-WX-10PB-HF-B-E1000E](#) [FCN-268M024-G/3D](#) [20021832-06016C1LF](#) [KX15-20KLDL-E1000E](#) [MDF7-16DP-2.54DSA\(55\)](#) [AXE810124](#) [FCN-214J100-G/0](#) [FCN-230C068-E/S](#) [AXE812124](#)