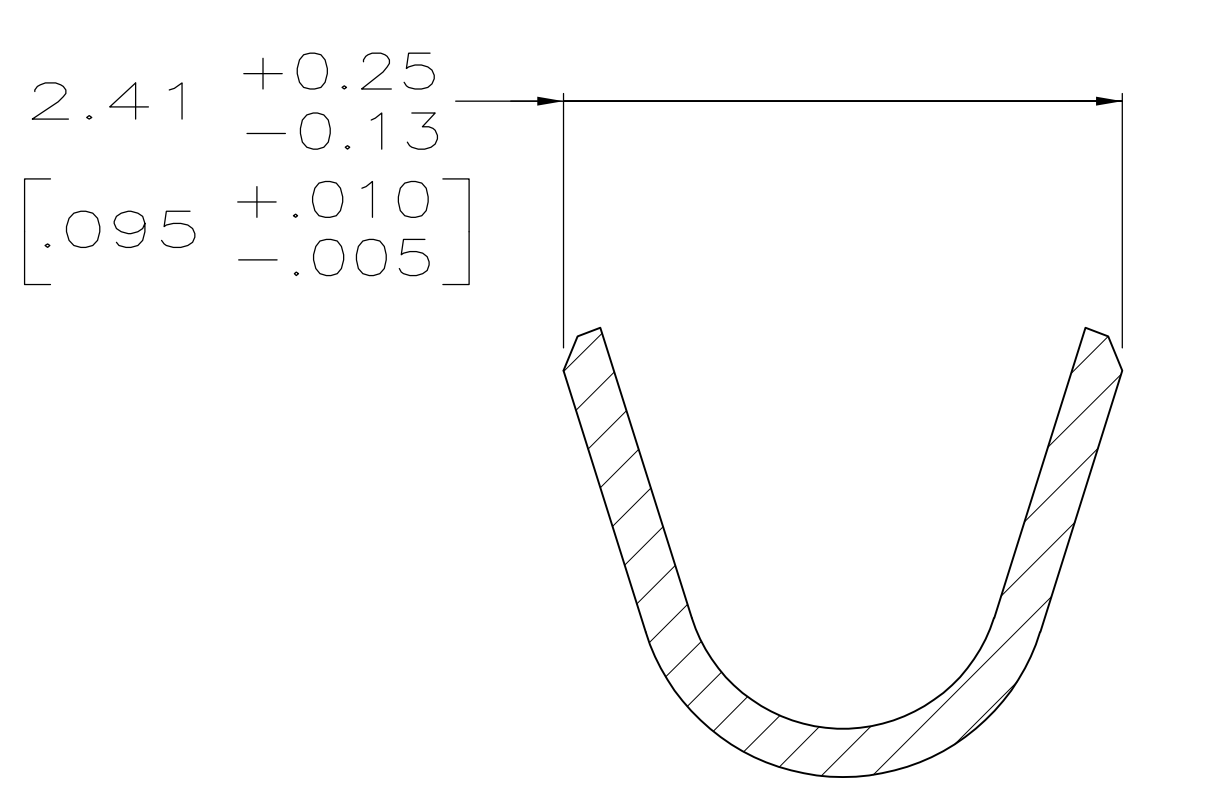
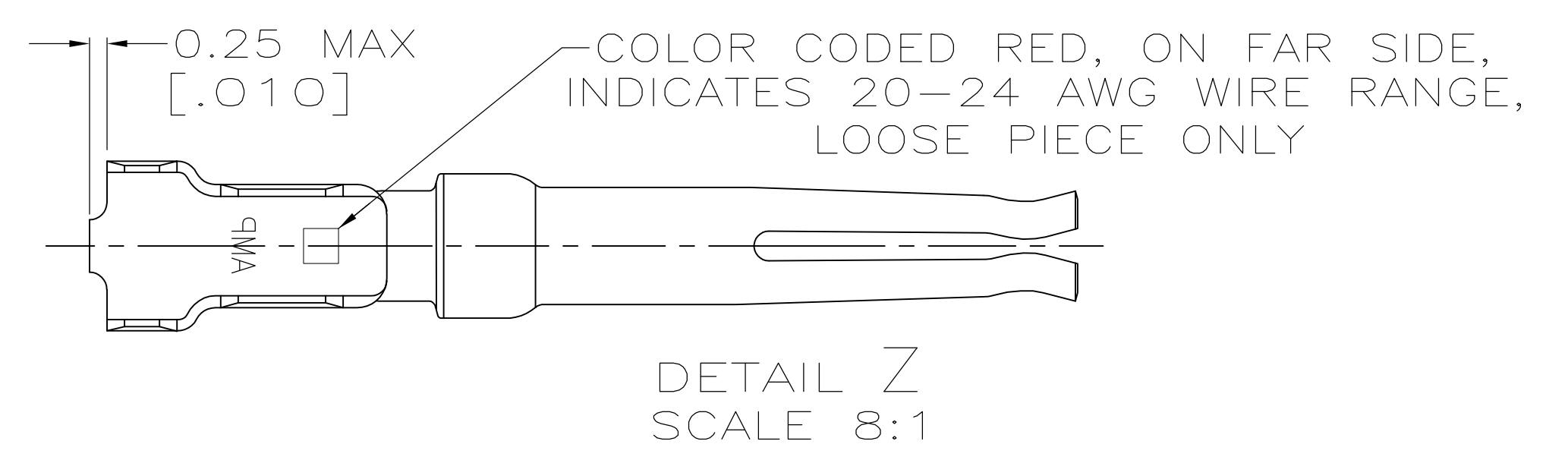
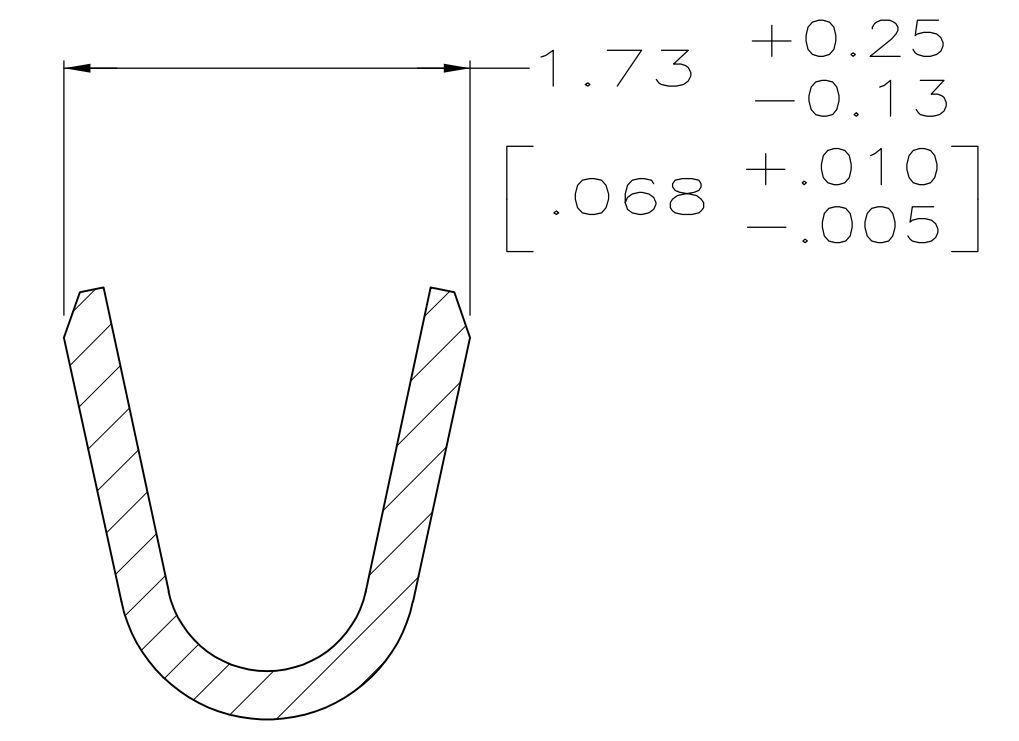


- 1 FOR MINI-APPLICATOR AND STRIPPER CRIMPER.
- 2 FOR HAND TOOL USE ONLY.
- 3. WIRE RANGE OF 20-24 AWG. INSULATION RANGE OF 1.27/1.52 [.050-.060].
- 4. TIN PLATING MAY NOT APPEAR ON CARRIER STRIP.
- 5 GOLD FLASH ON INSIDE OF LOCALIZED GOLD PLATE AREA, 2.54µm [.000100] TIN PLATED ON CRIMP BARRELS, ALL OVER 0.76µm [.000030] NICKEL UNDERPLATE.
- 6 PLATED WITH 0.76µm [.000030] GOLD ON INSIDE OF LOCALIZED GOLD PLATE AREA, 2.54µm [.000100] TIN ON CRIMP BARRELS, ALL OVER 1.27µm [.000050] NICKEL UNDERPLATE.
-OR-
GOLD FLASH OVER PALLADIUM-NICKEL, 0.76µm [.000030] TOTAL ON INSIDE OF LOCALIZED GOLD PLATE AREA, 2.54µm [.000100] TIN ON CRIMP BARRELS, ALL OVER 1.27µm [.000050] NICKEL UNDERPLATE.
- 7 GOLD FLASH ON INSIDE OF LOCALIZED GOLD PLATE AREA, 0.76µm [.000030] MIN TIN ON CRIMP BARRELS, ALL OVER 0.76µm [.000030] MIN NICKEL UNDERPLATE.
- 8 SPECIAL PACKAGING.



SECTION C-C
SCALE 20:1
INSULATION BARREL



SECTION B-B
SCALE 20:1
WIRE BARREL

6	1	-	8	1658537-6
7	1	-		1658537-5
6	2	SEE DETAIL Z		1658537-4
6	1			1658537-3
5	2	SEE DETAIL Z		1658537-2
5	1	-		1658537-1
FINISH	USE	LOOSE PIECE	PART NUMBER	

THIS DRAWING IS A CONTROLLED DOCUMENT.

DIMENSIONS: mm [INCHES]	TOLERANCES UNLESS OTHERWISE SPECIFIED:	DIN G. ATTADIA - DOCKS 01-10-05	CJK 01-10-05	J. GFRACE 01-10-05	M. WALMSLEY 01-10-05	NAME	SOCKET CONTACT, 20 DF, 20-24 AWG, AMPLIMITE
0 PLC ± -	1 PLC ± -	APVD		PRODUCT SPEC		108-40005	SIZE
2 PLC ± ± 0.13 [.005]	3 PLC ± -	APPLICATION SPEC		114-10000		100779	CAGE CODE
4 PLC ± -	ANGLES ± -	MATERIAL PHOSPHOR BRONZE		FINISH SEE TABLE		1658537	DRAWING NO
		WEIGHT		CUSTOMER DRAWING		1	RESTRICTED TO
		SCALE		SHEET 1 OF 1		REV	D1

STE TE Connectivity

X-ON Electronics

Largest Supplier of Electrical and Electronic Components

Click to view similar products for [D-Sub Contacts](#) category:

Click to view products by [TE Connectivity](#) manufacturer:

Other Similar products are found below :

[D02-22-26S-10000](#) [8656352067LF](#) [131A15029X](#) [132A11019X](#) [132J22039X](#) [132A11029X](#) [132A11049X](#) [132A12059X](#) [1757912-1](#) [188582-000](#) [162A11889X](#) [1757913-1](#) [212558-1](#) [030-1955-000](#) [053744-0098](#) [053744-0099](#) [053745-0105](#) [053745-0111](#) [601098N003](#) [D-610-10CS2962](#) [86303057NLF](#) [131A11019X](#) [162A11819X](#) [40-9854MP](#) [1-208778-5](#) [FC120N2](#) [MC7526D/AA](#) [MC8122D/AA](#) [FC4010D-15](#) [FC4006D](#) [121A05329A](#) [164C16669X](#) [86566620064LF](#) [131A13019X](#) [DLS3XS5AK40X](#) [09692825723](#) [030-1954-000](#) [L17DM53744207](#) [L17RRD1M11400](#) [030-1952-000](#) [1655496](#) [030-1953-000](#) [030-1953-030](#) [132C11039X](#) [132J15019X](#) [132C15019X](#) [132A10039X](#) [131A10029X](#) [8638PSC2006LF](#) [8656453067LF](#)