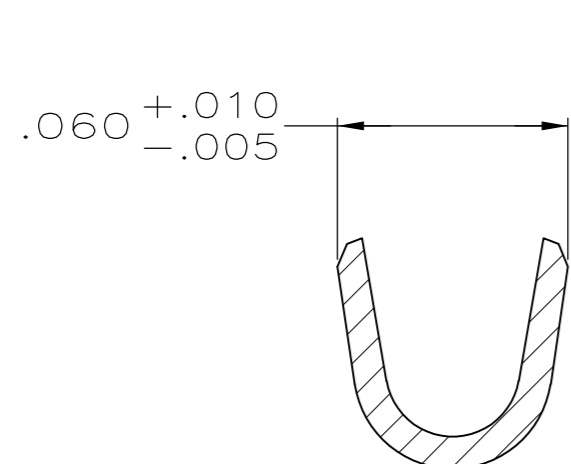
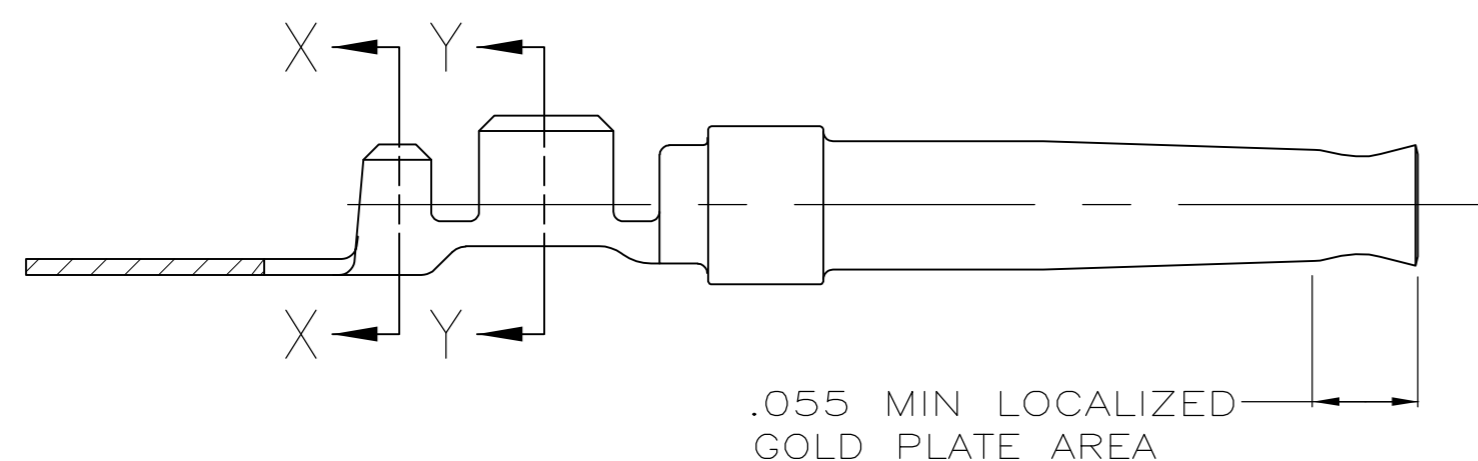
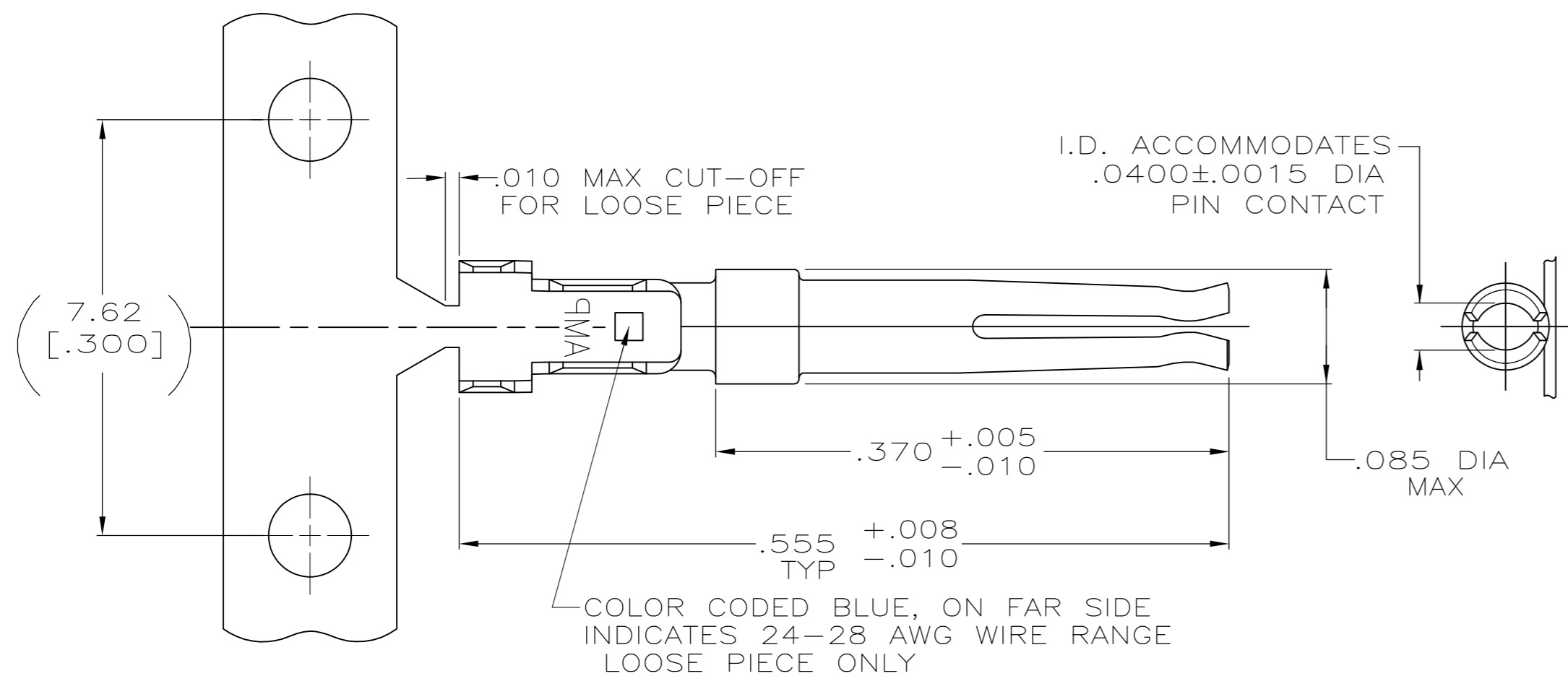
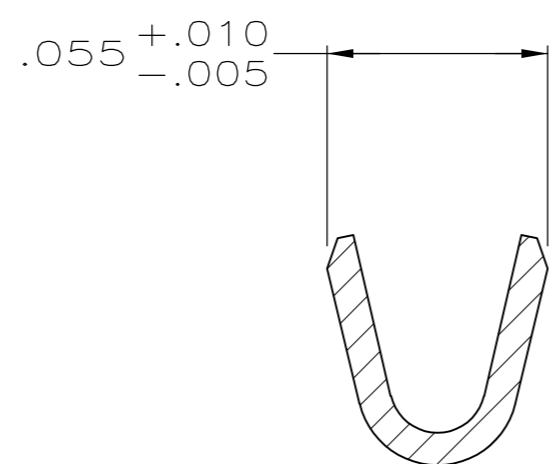


THIS DRAWING IS UNPUBLISHED. RELEASED FOR PUBLICATION
 © COPYRIGHT - By - ALL RIGHTS RESERVED.

LOC	DIST	REVISIONS					
GP	00	P	LTR	DESCRIPTION	DATE	DWN	APVD
		D2		REVISED PER ECO-11-004835	11MAR11	RK	HMR



SECTION X-X
SCALE 20:1



SECTION Y-Y
SCALE 20:1

- 1 FOR MINI-APPLICATOR AND STRIPPER CRIMPER.
- 2 FOR HAND TOOL USE ONLY.
- 3. WIRE RANGE OF 24-28, INSULATION RANGE OF .030-.040.
- 4. TIN PLATING MAY NOT APPEAR ON CARRIER STRIP.
- 5 GOLD FLASH ON INSIDE OF LOCALIZED GOLD PLATE AREA, .000100 TIN ON CRIMP BARRELS, ALL OVER .000030 NICKEL UNDERPLATE.
- 6 PLATED WITH .000030 GOLD ON INSIDE OF LOCALIZED GOLD PLATE AREA, .000100 TIN ON CRIMP BARRELS, ALL OVER .000050 NICKEL UNDERPLATE.
-OR-
GOLD FLASH OVER PALLADIUM-NICKEL PLATE, .000030 TOTAL ON INSIDE OF LOCALIZED GOLD PLATE AREA, .000100 TIN ON CRIMP BARRELS, ALL OVER .000050 NICKEL UNDERPLATE.
- 7 FOR STANDARD APPLICATOR ONLY.
- 8 OBSOLETE PARTS: OBSOLETE CIS STREAMLINING PER D.RENAUD/D.SINISI

8 OBSOLETE	5	7	STRIP	1658538-4
	5	1	STRIP	1658538-3
	6	1	STRIP	1658538-2
	5	2	LOOSE PIECE	1658538-1
	FINISH	USE	TYPE	PART NUMBER

THIS DRAWING IS A CONTROLLED DOCUMENT.		DWN 11-17-04 L. VARELA - DOCK5	STE TE Connectivity	
DIMENSIONS: INCHES		CHK 11-17-04 J. GERACE		
TOLERANCES UNLESS OTHERWISE SPECIFIED:		APVD 11-17-04 M. WALMSLEY	NAME SOCKET CONTACT, 20 DF, 24-28 AWG, AMPLIMITE	
0 PLC ± -		PRODUCT SPEC 108-40005	SIZE CAGE CODE DRAWING NO RESTRICTED TO	
1 PLC ± -		APPLICATION SPEC 114-10000	A2 00779 C=1658538	
2 PLC ± -		WEIGHT -	SCALE 10:1 SHEET 1 of 1 REV D2	
3 PLC ± .005		MATERIAL PHOSPHOR BRONZE	CUSTOMER DRAWING	
4 PLC ± -		FINISH SEE TABLE		
ANGLES ± -				

X-ON Electronics

Largest Supplier of Electrical and Electronic Components

Click to view similar products for [D-Sub Contacts](#) category:

Click to view products by [TE Connectivity](#) manufacturer:

Other Similar products are found below :

[D02-22-26S-10000](#) [8656352067LF](#) [131A15029X](#) [132A11019X](#) [132J22039X](#) [132A11029X](#) [132A11049X](#) [1757912-1](#) [188582-000](#)
[162A11889X](#) [1757913-1](#) [212558-1](#) [030-1955-000](#) [053744-0098](#) [053744-0099](#) [053745-0105](#) [053745-0111](#) [601098N003](#) [86303057NLF](#)
[131A11019X](#) [162A11819X](#) [40-9854MP](#) [1-208778-5](#) [FC120N2](#) [MC7526D/AA](#) [MC8122D/AA](#) [FC4010D-15](#) [FC4006D](#) [121A05329A](#)
[164C16669X](#) [86566620064LF](#) [C330-8997-101H](#) [131A13019X](#) [DLS3XS5AK40X](#) [09692825723](#) [030-1954-000](#) [L17DM53744207](#)
[L17RRD1M11400](#) [030-1952-000](#) [1655496](#) [030-1953-000](#) [030-1953-030](#) [132C11039X](#) [132J15019X](#) [132C15019X](#) [132C11019X](#)
[131A10029X](#) [8638PSC2006LF](#) [8656453067LF](#) [86566520064LF](#)