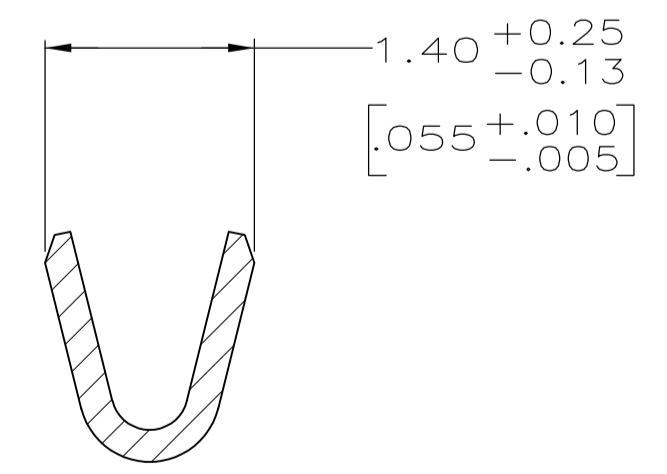


SECTION X-X
INSULATION BARREL
SCALE 20:1



SECTION Y-Y
WIRE BARREL
SCALE 20:1

- 1 FOR MINI-APPLICATOR AND STRIPPER CRIMPER.
- 2 FOR HAND TOOL USE ONLY.
- 3. WIRE RANGE OF 24-28, INSULATION RANGE OF .030-.040.
- 4. TIN PLATING MAY NOT APPEAR ON CARRIER STRIP.
- 5 GOLD FLASH IN LOCALIZED GOLD PLATE AREA, 2.54μm [.000100] MIN TIN ON WIRE BARRELS, ALL OVER 0.76μm [.000030] MIN NICKEL UNDERPLATE.
- 6 GOLD FLASH IN LOCALIZED GOLD PLATED AREA, 0.76μm [.000030] MIN TIN ON WIRE BARRELS, ALL OVER 0.76μm [.000030] MIN NICKEL UNDERPLATE.
- 7 GOLD PLATED IN LOCALIZED GOLD PLATE AREA AS FOLLOWS:
0.76μm [.000030] MIN GOLD IN MATED AREA,
2.54μm [.000100] MIN TIN ON WIRE BARRELS, ALL OVER
1.27μm [.000050] MIN NICKEL UNDERPLATE.
OR
GOLD FLASH OVER
PALLADIUM-NICKEL PLATE, 0.76μm [.000030] MIN TOTAL IN MATED AREA,
2.54μm [.000100] MIN TIN ON WIRE BARRELS, ALL OVER
1.27μm [.000050] MIN NICKEL UNDERPLATE.
- 8 FOR STANDARD APPLICATOR ONLY.

7	8	STRIP	1658540-6
2	2	LOOSE PIECE	1658540-5
1	1	STRIP	1658540-4
6	1	STRIP	1658540-3
1	1	LOOSE PIECE	1658540-2
5	1	STRIP	1658540-1
FINISH	USE	TYPE	PART NUMBER

THIS DRAWING IS A CONTROLLED DOCUMENT.

DIMENSIONS: mm [INCHES]	TOLERANCES UNLESS OTHERWISE SPECIFIED:	DIN L VARELA - DOCKS 11-17-04	TE Connectivity
0 PLC ± -	1 PLC ± -	CHK S. BOLASH 11-17-04	
2 PLC ± 0.13 [.005]	3 PLC ± -	APVD M. WALMSLEY 11-17-04	NAME PIN CONTACT, 20 DF, 24-28 AWG, AMPLIMITE
4 PLC ± -	ANGLES ± -	PRODUCT SPEC 108-40005	APPLICATION SPEC 114-10000
MATERIAL BRASS	FINISH SEE TABLE	WEIGHT -	SIZE A1
CUSTOMER DRAWING		SCALE 10:1	SHEET 1 OF 1

X-ON Electronics

Largest Supplier of Electrical and Electronic Components

Click to view similar products for [D-Sub Contacts](#) category:

Click to view products by [TE Connectivity](#) manufacturer:

Other Similar products are found below :

[D02-22-26S-10000](#) [8656352067LF](#) [131A15029X](#) [132A11019X](#) [132J22039X](#) [132A11029X](#) [132A11049X](#) [1757912-1](#) [188582-000](#)
[162A11889X](#) [1757913-1](#) [212558-1](#) [030-1955-000](#) [053744-0098](#) [053744-0099](#) [053745-0105](#) [053745-0111](#) [601098N003](#) [86303057NLF](#)
[131A11019X](#) [162A11819X](#) [40-9854MP](#) [1-208778-5](#) [FC120N2](#) [MC7526D/AA](#) [MC8122D/AA](#) [FC4010D-15](#) [FC4006D](#) [121A05329A](#)
[164C16669X](#) [86566620064LF](#) [C330-8997-101H](#) [131A13019X](#) [DLS3XS5AK40X](#) [09692825723](#) [030-1954-000](#) [L17DM53744207](#)
[L17RRD1M11400](#) [030-1952-000](#) [1655496](#) [030-1953-000](#) [030-1953-030](#) [132C11039X](#) [132J15019X](#) [132C15019X](#) [132C11019X](#)
[131A10029X](#) [8638PSC2006LF](#) [8656453067LF](#) [86566520064LF](#)