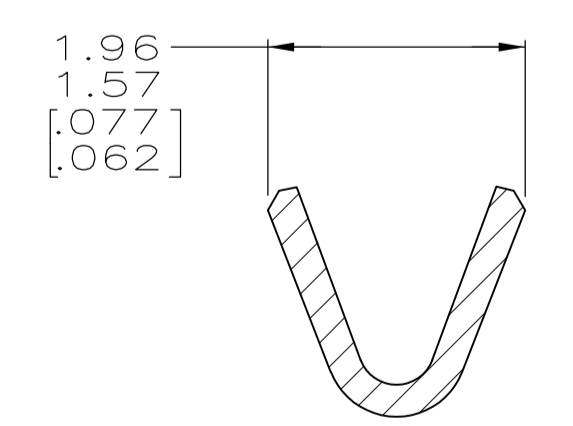
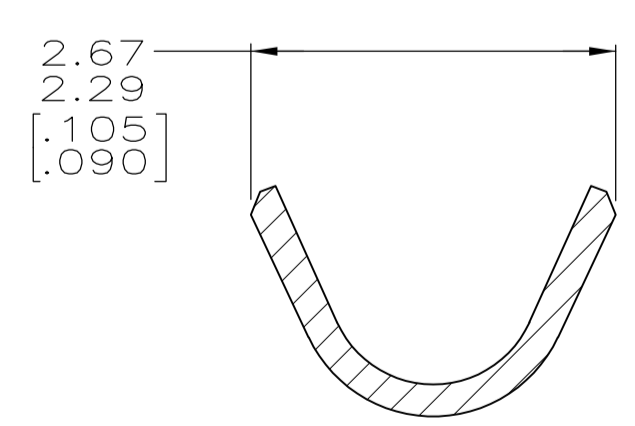
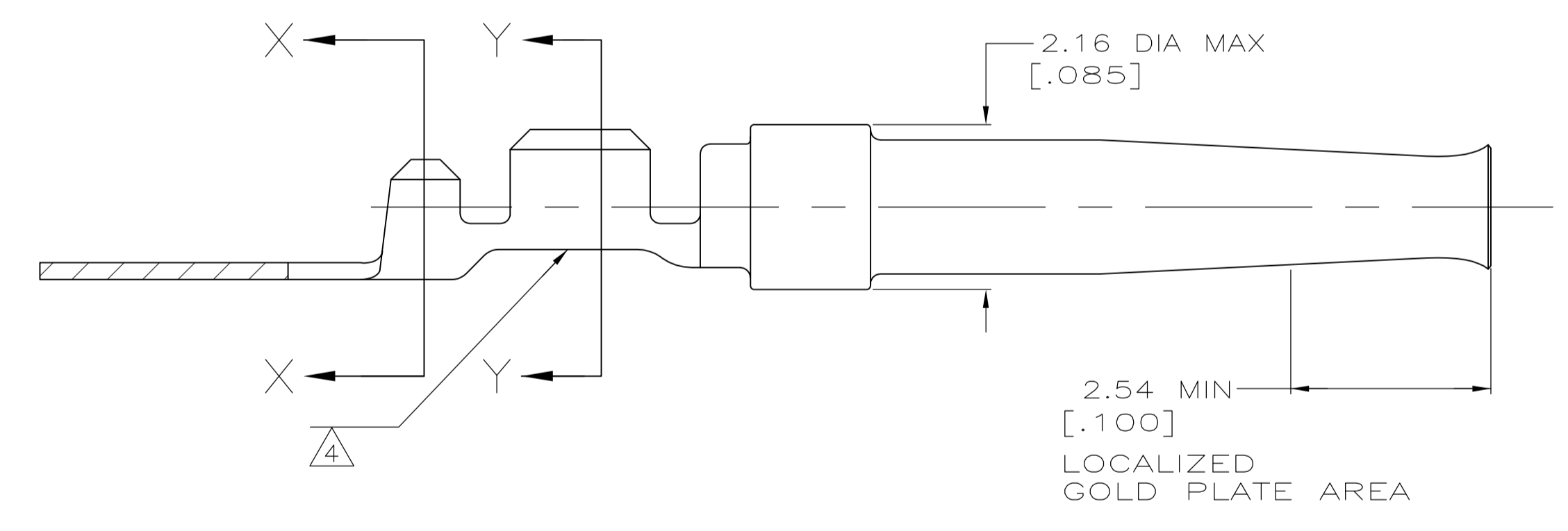


- 1. FOR MINI-APPLICATOR CRIMPING.
- 2. WIRE RANGE IS 22-26 AWG AND INSULATION RANGE IS 1.02/1.27 [.040/.050].
- 3. PLATED WITH 0.76µm [.000030] GOLD ON INSIDE OF LOCALIZED GOLD PLATE AREA, 2.54µm [.000100] TIN ON CRIMP BARRELS, ALL OVER 1.27µm [.000050] NICKEL UNDERPLATE.
-OR-
GOLD FLASH OVER PALLADIUM-NICKEL 0.76µm [.000030] TOTAL ON INSIDE OF LOCALIZED GOLD PLATE AREA, 2.54µm [.000100] TIN ON CRIMP BARRELS, ALL OVER 1.27µm [.000050] NICKEL UNDERPLATE.
- 4. COLOR CODE YELLOW IN THIS AREA INDICATES 22-26 AWG WIRE RANGE. ONLY LOOSE PIECE PART NUMBERS ARE COLOR CODED.
- 5. TIN PLATING MAY NOT APPEAR ON CARRIER STRIP.
- 6. GOLD FLASH ON INSIDE OF LOCALIZED PLATE AREA, 2.54µm [.000100] TIN PLATED ON CRIMP BARRELS, ALL OVER 1.27µm [.000050] NICKEL UNDERPLATE.



STANDARD	6	STRIP	1	1658543-3
STANDARD	3	STRIP	1	1658543-2
STANDARD	3	LOOSE PIECE		1658543-1
PACKAGING TYPE	FINISH	TYPE	PART NUMBER	

THIS DRAWING IS A CONTROLLED DOCUMENT.

DIMENSIONS: INCHES	TOLERANCES UNLESS OTHERWISE SPECIFIED:	DIN L VARELA - DOCKS 11-17-04	APVD M WALMSLEY 11-17-04	NAME	Tyco Electronics Corporation Harrisburg, PA 17105-3608
0 PLC ± -	1 PLC ± -	2 PLC ± 0.13 [.005]	3 PLC ± -	4 PLC ± -	RESTRICTED TO
ANGLES ± °	SEE TABLE	PRODUCT SPEC 108-40005	APPLICATION SPEC 114-10000	SIZE A1	CAGE CODE 00779
MATERIAL PHOS BRONZE	FINISH	WEIGHT	SCALE 15:1	DRAWING NO. 1658543	SHEET 1 OF 1
CUSTOMER DRAWING			REV D		

X-ON Electronics

Largest Supplier of Electrical and Electronic Components

Click to view similar products for [D-Sub Contacts](#) category:

Click to view products by [TE Connectivity](#) manufacturer:

Other Similar products are found below :

[D02-22-26S-10000](#) [8656352067LF](#) [131A15029X](#) [132A11019X](#) [132J22039X](#) [132A11029X](#) [132A11049X](#) [1757912-1](#) [188582-000](#)
[162A11889X](#) [1757913-1](#) [212558-1](#) [030-1955-000](#) [053744-0098](#) [053744-0099](#) [053745-0105](#) [053745-0111](#) [601098N003](#) [86303057NLF](#)
[131A11019X](#) [162A11819X](#) [40-9854MP](#) [1-208778-5](#) [FC120N2](#) [MC7526D/AA](#) [MC8122D/AA](#) [FC4010D-15](#) [FC4006D](#) [121A05329A](#)
[164C16669X](#) [86566620064LF](#) [C330-8997-101H](#) [131A13019X](#) [DLS3XS5AK40X](#) [09692825723](#) [030-1954-000](#) [L17DM53744207](#)
[L17RRD1M11400](#) [030-1952-000](#) [1655496](#) [030-1953-000](#) [030-1953-030](#) [132C11039X](#) [132J15019X](#) [132C15019X](#) [131A10029X](#)
[8638PSC2006LF](#) [8656453067LF](#) [86566520064LF](#) [L17DM537441](#)