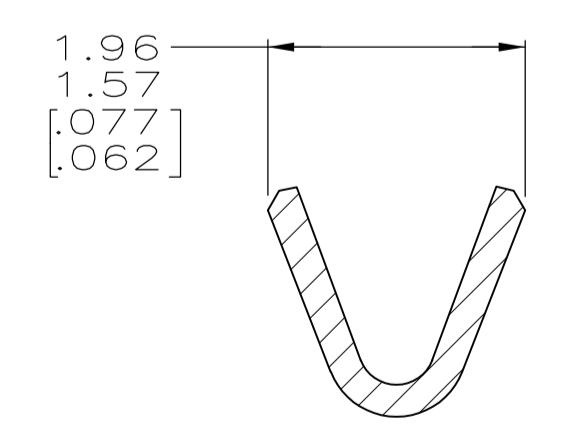
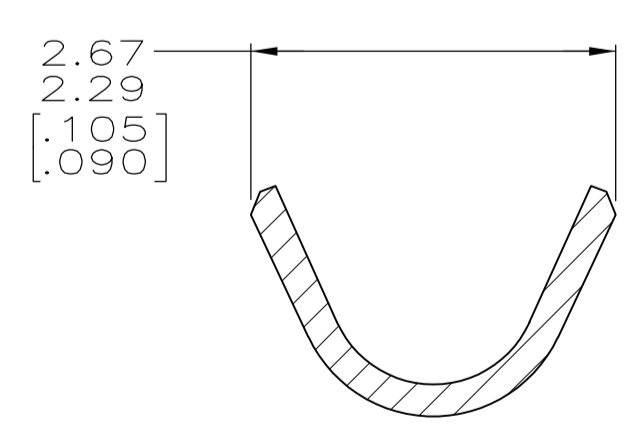
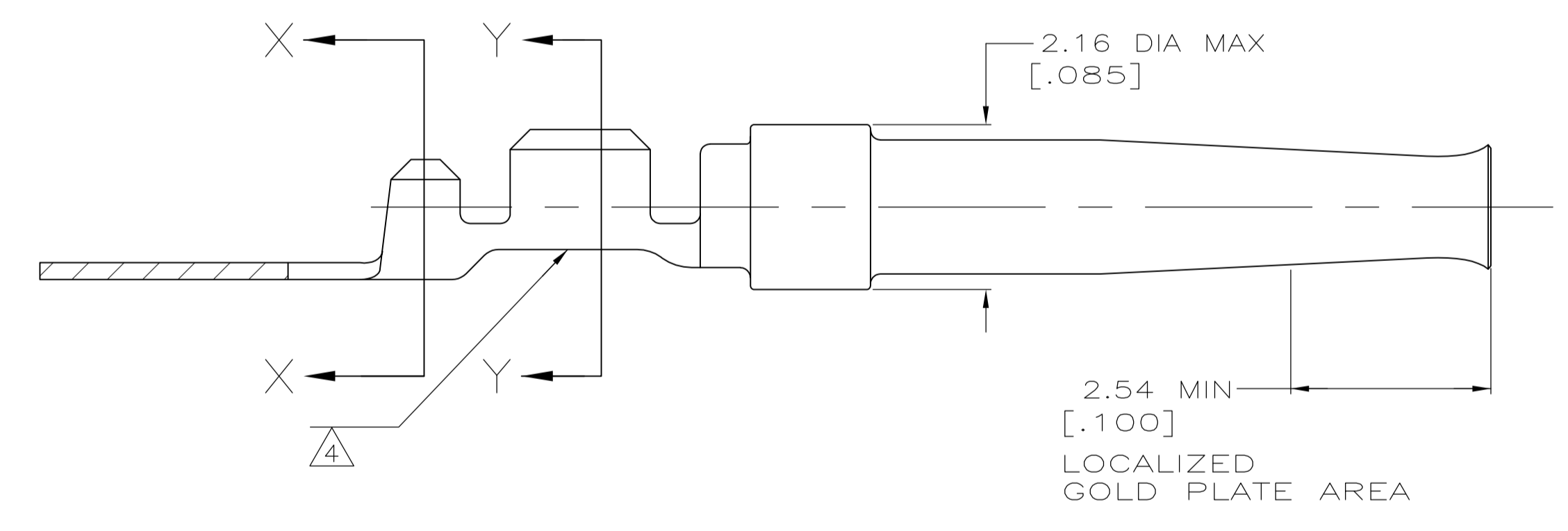


- 1 FOR MINI-APPLICATOR CRIMPING.
- 2 WIRE RANGE IS 22-26 AWG AND INSULATION RANGE IS 1.02/1.27 [.040/.050].
- 3 PLATED WITH 0.76μm [.000030] GOLD ON INSIDE OF LOCALIZED GOLD PLATE AREA, 2.54μm [.000100] TIN ON CRIMP BARRELS, ALL OVER 1.27μm [.000050] NICKEL UNDERPLATE.  
-OR-  
GOLD FLASH OVER PALLADIUM-NICKEL 0.76μm [.000030] TOTAL ON INSIDE OF LOCALIZED GOLD PLATE AREA, 2.54μm [.000100] TIN ON CRIMP BARRELS, ALL OVER 1.27μm [.000050] NICKEL UNDERPLATE.
- 4 COLOR CODE YELLOW IN THIS AREA INDICATES 22-26 AWG WIRE RANGE. ONLY LOOSE PIECE PART NUMBERS ARE COLOR CODED.
- 5 TIN PLATING MAY NOT APPEAR ON CARRIER STRIP.
- 6 GOLD FLASH ON INSIDE OF LOCALIZED PLATE AREA, 2.54μm [.000100] TIN PLATED ON CRIMP BARRELS, ALL OVER 1.27μm [.000050] NICKEL UNDERPLATE.



STANDARD	6	STRIP	1	1658543-3
STANDARD	3	STRIP	1	1658543-2
STANDARD	3	LOOSE PIECE		1658543-1
PACKAGING TYPE	FINISH	TYPE	PART NUMBER	

THIS DRAWING IS A CONTROLLED DOCUMENT.

DIMENSIONS: INCHES	TOLERANCES UNLESS OTHERWISE SPECIFIED:	DIN	11-17-04	Tyco Electronics Corporation Harrisburg, PA 17105-3608			
		DRW	11-17-04				
	0 PLC ± -	APD	11-17-04	Tyco Electronics SOCKET CONTACT, 20 DF, 22-26 AWG, AMPLIMITE			
	1 PLC ± -	NAME	M. WALSLEY				
	2 PLC ± 0.13 [.005]	PRODUCT SPEC	108-40005				
	3 PLC ± -	APPLICATION SPEC	114-10000	SIZE	CAGE CODE	DRAWING NO	RESTRICTED TO
	4 PLC ± -	WEIGHT		A1	00779	1658543	
	ANGLES ± °	CUSTOMER DRAWING		SCALE	15:1	SHEET	1 OF 1

## X-ON Electronics

Largest Supplier of Electrical and Electronic Components

*Click to view similar products for [D-Sub Contacts](#) category:*

*Click to view products by [TE Connectivity](#) manufacturer:*

Other Similar products are found below :

[D02-22-26S-10000](#) [8656352067LF](#) [131A15029X](#) [132A11019X](#) [132J22039X](#) [132A11029X](#) [132A11049X](#) [132A12059X](#) [1757912-1](#) [188582-000](#) [162A11889X](#) [1757913-1](#) [212558-1](#) [030-1955-000](#) [053744-0098](#) [053744-0099](#) [053745-0105](#) [053745-0111](#) [601098N003](#) [D-610-10CS2962](#) [86303057NLF](#) [131A11019X](#) [162A11819X](#) [40-9854MP](#) [1-208778-5](#) [FC120N2](#) [MC7526D/AA](#) [MC8122D/AA](#) [FC4010D-15](#) [FC4006D](#) [121A05329A](#) [164C16669X](#) [86566620064LF](#) [131A13019X](#) [DLS3XS5AK40X](#) [09692825723](#) [030-1954-000](#) [L17DM53744207](#) [L17RRD1M11400](#) [030-1952-000](#) [1655496](#) [030-1953-000](#) [030-1953-030](#) [132C11039X](#) [132J15019X](#) [132C15019X](#) [132A10039X](#) [131A10029X](#) [8638PSC2006LF](#) [8656453067LF](#)