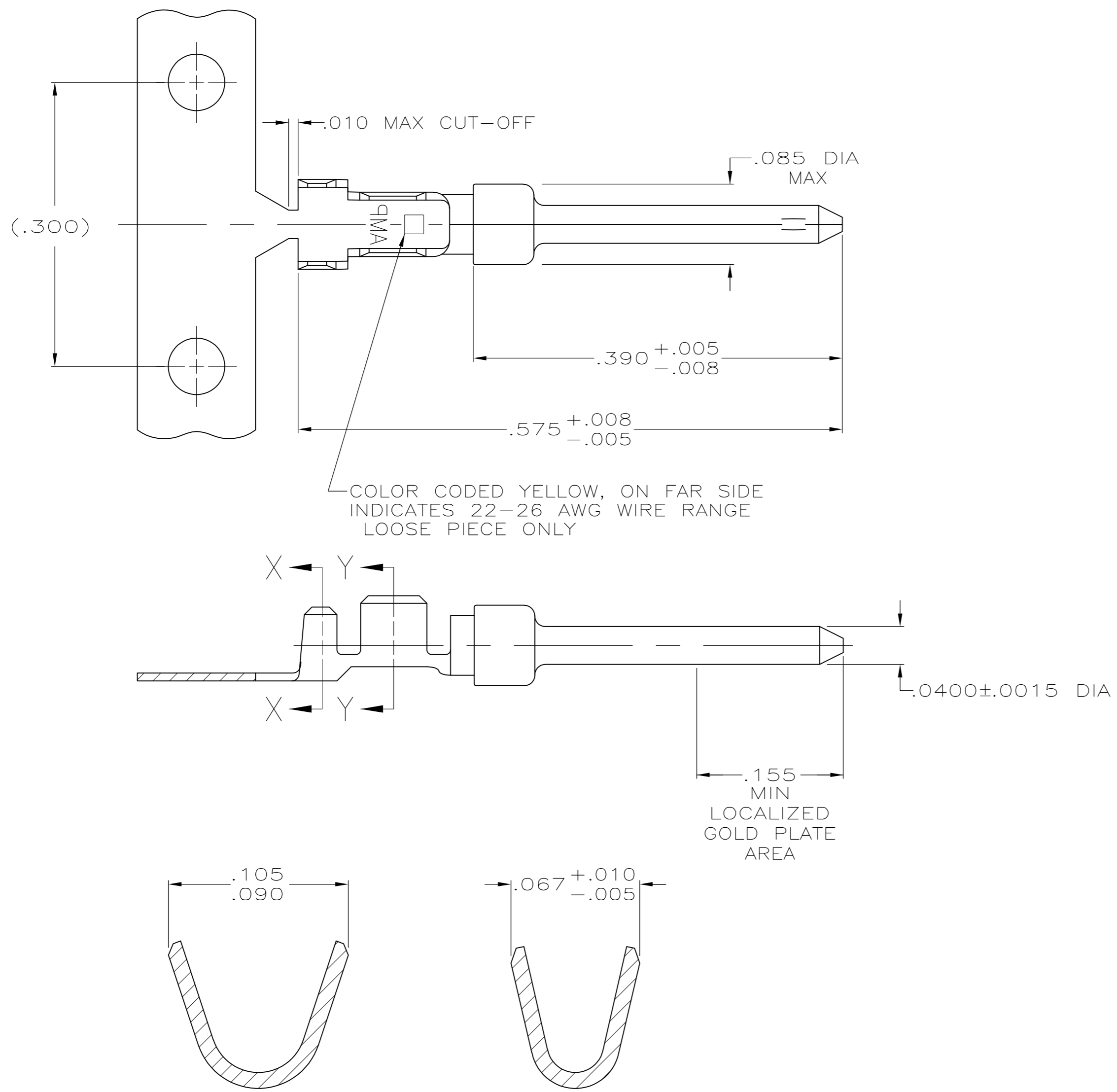


THIS DRAWING IS UNPUBLISHED. RELEASED FOR PUBLICATION
 © COPYRIGHT - By - ALL RIGHTS RESERVED.

LOC	DIST	REVISIONS					
GP	00	P	LTR	DESCRIPTION	DATE	DWN	APVD
		D1		REVISED PER ECO-11-004835	11MAR11	RK	HMR



- 1 FOR MINI-APPLICATOR.
- 2 FOR HAND TOOL USE ONLY.
- 3. WIRE RANGE OF 22-26, INSULATION RANGE OF .040-.050.
- 4. TIN PLATING MAY NOT APPEAR ON CARRIER STRIP.
- 5 GOLD PLATED IN LOCALIZED GOLD PLATE AREA AS FOLLOWS:
 .000030 MIN GOLD IN MATED AREA, .000100 MIN TIN ON WIRE BARRELS, ALL OVER .000050 MIN NICKEL UNDERPLATE.
 OR
 GOLD FLASH OVER PALLADIUM-NICKEL PLATE, .000030 MIN TOTAL IN MATED AREA, .000100 MIN TIN ON WIRE BARRELS, ALL OVER .000050 MIN NICKEL UNDERPLATE.
- 6 GOLD FLASH IN LOCALIZED GOLD PLATE AREA, .000100 MIN TIN ON WIRE BARRELS, ALL OVER .000050 MIN NICKEL UNDERPLATE.

SECTION X-X
INSULATION BARREL
SCALE 20:1

SECTION Y-Y
WIRE BARREL
SCALE 20:1

FINISH	USE	TYPE	PART NUMBER
6	2	LOOSE PIECE	1658544-4
6	1	STRIP	1658544-3
5	1	STRIP	1658544-2
5	2	LOOSE PIECE	1658544-1

THIS DRAWING IS A CONTROLLED DOCUMENT.		DWN L. VARELA - DOCK5 11-17-04	TE TE Connectivity	
DIMENSIONS: INCHES		CHK J. GERACE 11-17-04		
TOLERANCES UNLESS OTHERWISE SPECIFIED:		APVD M. WALMSLEY 11-17-04	NAME PIN CONTACT, 20 DF, 22-26 AWG, AMPLIMITE	
0 PLC ± -	1 PLC ± -	PRODUCT SPEC 108-40005	SIZE CAGE CODE DRAWING NO RESTRICTED TO	
2 PLC ± -	3 PLC ± .005	APPLICATION SPEC 114-10000	A2 00779	C=1658544
4 PLC ± -	ANGLES ± -	WEIGHT -	SCALE 10:1	SHEET 1 of 1
MATERIAL BRASS	FINISH SEE TABLE	CUSTOMER DRAWING	REV D1	

X-ON Electronics

Largest Supplier of Electrical and Electronic Components

Click to view similar products for [D-Sub Contacts](#) category:

Click to view products by [TE Connectivity](#) manufacturer:

Other Similar products are found below :

[D02-22-26S-10000](#) [8656352067LF](#) [131A15029X](#) [132A11019X](#) [132J22039X](#) [132A11029X](#) [132A11049X](#) [132A12059X](#) [1757912-1](#) [188582-000](#) [162A11889X](#) [1757913-1](#) [212558-1](#) [030-1955-000](#) [053744-0098](#) [053744-0099](#) [053745-0105](#) [053745-0111](#) [601098N003](#) [86303057NLF](#) [131A11019X](#) [162A11819X](#) [40-9854MP](#) [1-208778-5](#) [FC120N2](#) [MC7526D/AA](#) [MC8122D/AA](#) [FC4010D-15](#) [FC4006D](#) [121A05329A](#) [164C16669X](#) [86566620064LF](#) [C330-8997-101H](#) [131A13019X](#) [DLS3XS5AK40X](#) [09692825723](#) [030-1954-000](#) [L17DM53744207](#) [L17RRD1M11400](#) [030-1952-000](#) [1655496](#) [030-1953-000](#) [030-1953-030](#) [132C11039X](#) [132J15019X](#) [132C15019X](#) [132A10039X](#) [131A10029X](#) [8638PSC2006LF](#) [8656453067LF](#)