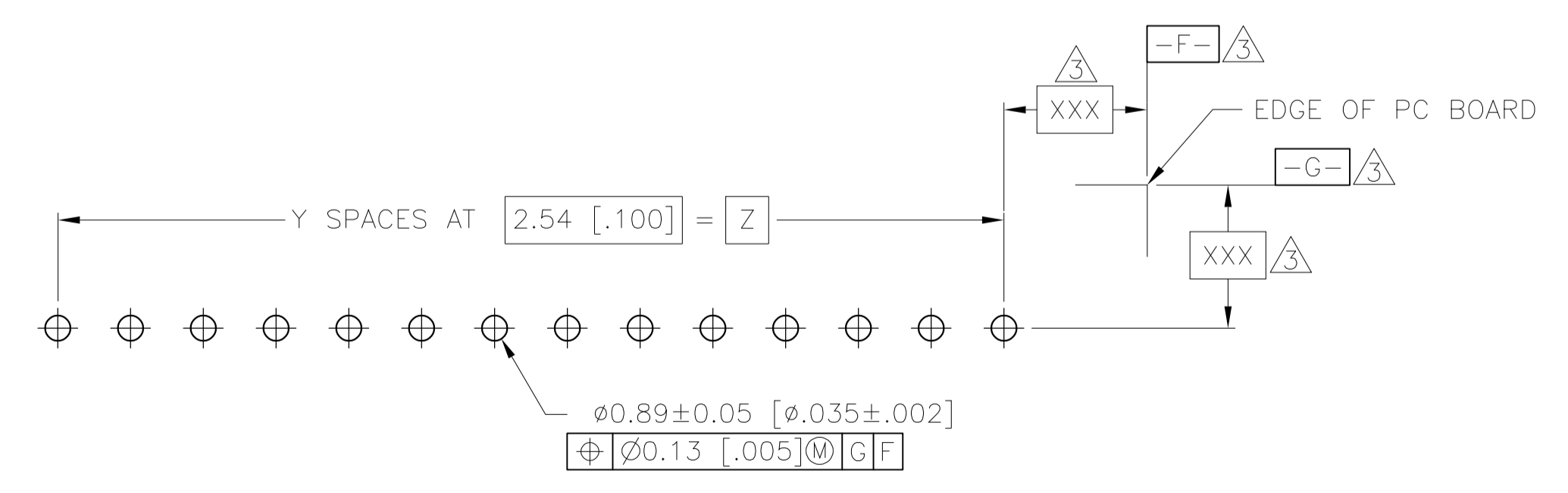
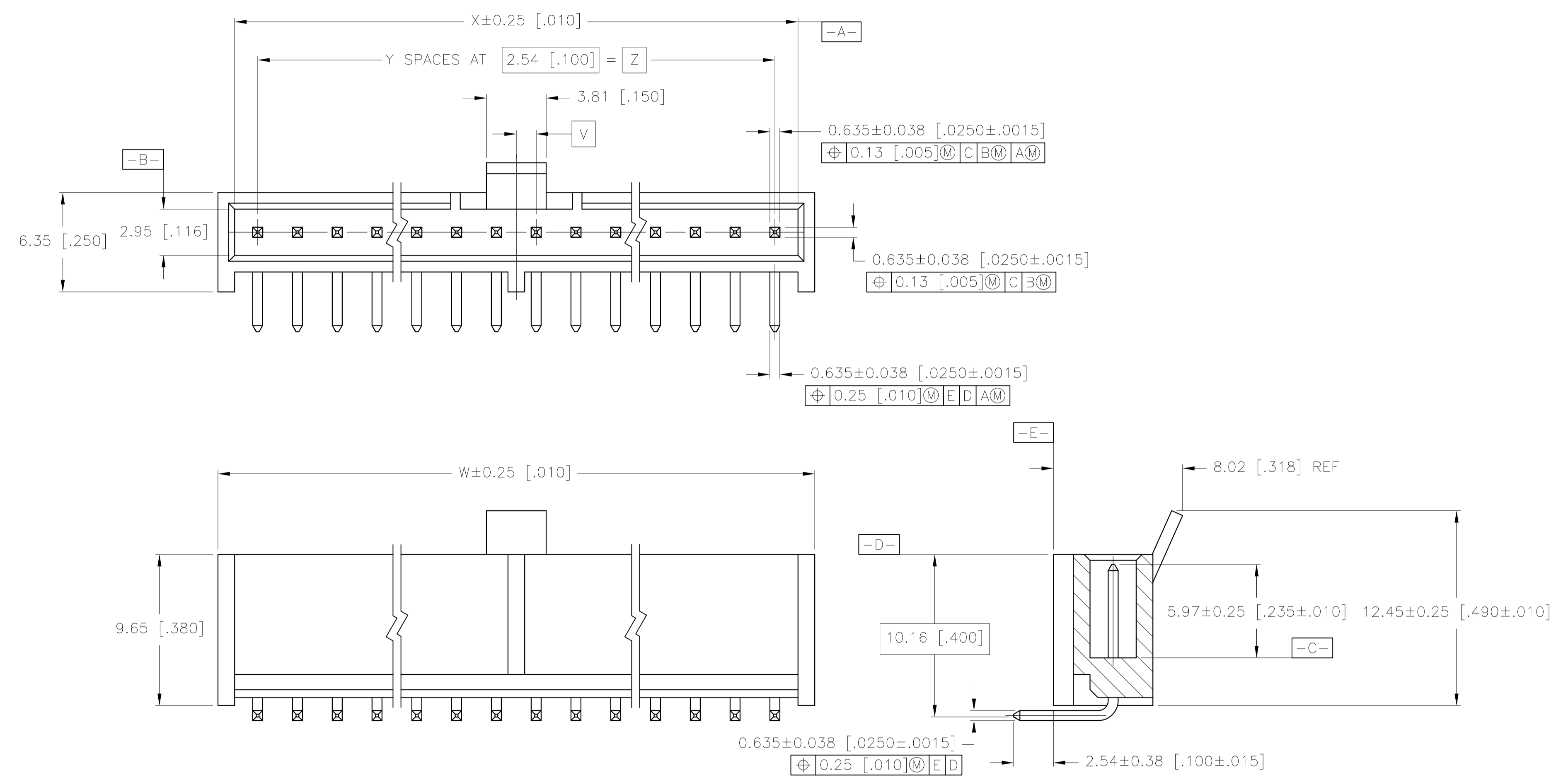


- △ HOUSING: NYLON, 94V-0 RATED, COLOR BLUE. CONTACTS: PHOSPHOR BRONZE.
- △ CONTACTS: 0.00254 [.000100] MIN TIN OVER 0.00127 [.000050] MIN NICKEL.
- △ DATUMS AND BASIC DIMENSIONS TO BE ESTABLISHED BY CUSTOMER.
- △ CONTACTS: 0.00076 [.000030] MIN GOLD IN CONTACT AREA. 0.00254 [.000100] MIN TIN ON SOLDER POST, ALL OVER 0.00127 [.000050] MIN NICKEL.



| | | | | | | | | | | | |
|---|-------|---------|----|-------|---------|-------|---------|------|--------|----|-------------|
| △ | 78.74 | [3.100] | 31 | 81.69 | [3.216] | 83.82 | [3.300] | 1.27 | [.050] | 32 | 5-1658548-8 |
| △ | 78.74 | [3.100] | 31 | 81.69 | [3.216] | 83.82 | [3.300] | 1.27 | [.050] | 32 | 5-1658548-7 |
| △ | 76.20 | [3.000] | 30 | 79.15 | [3.116] | 81.28 | [3.200] | 0.00 | [.000] | 31 | 5-1658548-6 |
| △ | 76.20 | [3.000] | 30 | 79.15 | [3.116] | 81.28 | [3.200] | 0.00 | [.000] | 31 | 5-1658548-5 |
| △ | 73.66 | [2.900] | 29 | 76.61 | [3.016] | 78.74 | [3.100] | 1.27 | [.050] | 30 | 5-1658548-4 |
| △ | 73.66 | [2.900] | 29 | 76.61 | [3.016] | 78.74 | [3.100] | 1.27 | [.050] | 30 | 5-1658548-3 |
| △ | 71.12 | [2.800] | 28 | 74.07 | [2.916] | 76.20 | [3.000] | 0.00 | [.000] | 29 | 5-1658548-2 |
| △ | 71.12 | [2.800] | 28 | 74.07 | [2.916] | 76.20 | [3.000] | 0.00 | [.000] | 29 | 5-1658548-1 |
| △ | 68.58 | [2.700] | 27 | 71.53 | [2.816] | 73.66 | [2.900] | 1.27 | [.050] | 28 | 5-1658548-0 |
| △ | 68.58 | [2.700] | 27 | 71.53 | [2.816] | 73.66 | [2.900] | 1.27 | [.050] | 28 | 4-1658548-9 |
| △ | 66.04 | [2.600] | 26 | 68.99 | [2.716] | 71.12 | [2.800] | 0.00 | [.000] | 27 | 4-1658548-8 |
| △ | 66.04 | [2.600] | 26 | 68.99 | [2.716] | 71.12 | [2.800] | 0.00 | [.000] | 27 | 4-1658548-7 |
| △ | 63.50 | [2.500] | 25 | 66.45 | [2.616] | 68.58 | [2.700] | 1.27 | [.050] | 26 | 4-1658548-6 |
| △ | 63.50 | [2.500] | 25 | 66.45 | [2.616] | 68.58 | [2.700] | 1.27 | [.050] | 26 | 4-1658548-5 |
| △ | 60.96 | [2.400] | 24 | 63.91 | [2.516] | 66.04 | [2.600] | 0.00 | [.000] | 25 | 4-1658548-4 |
| △ | 60.96 | [2.400] | 24 | 63.91 | [2.516] | 66.04 | [2.600] | 0.00 | [.000] | 25 | 4-1658548-3 |
| △ | 58.42 | [2.300] | 23 | 61.37 | [2.416] | 63.50 | [2.500] | 1.27 | [.050] | 24 | 4-1658548-2 |
| △ | 58.42 | [2.300] | 23 | 61.37 | [2.416] | 63.50 | [2.500] | 1.27 | [.050] | 24 | 4-1658548-1 |
| △ | 55.88 | [2.200] | 21 | 58.83 | [2.316] | 60.96 | [2.400] | 0.00 | [.000] | 23 | 4-1658548-0 |
| △ | 55.88 | [2.200] | 21 | 58.83 | [2.316] | 60.96 | [2.400] | 0.00 | [.000] | 23 | 3-1658548-9 |
| △ | 50.80 | [2.000] | 20 | 53.75 | [2.116] | 55.88 | [2.200] | 0.00 | [.000] | 21 | 3-1658548-8 |
| △ | 50.80 | [2.000] | 20 | 53.75 | [2.116] | 55.88 | [2.200] | 0.00 | [.000] | 21 | 3-1658548-7 |
| △ | 48.26 | [1.900] | 19 | 51.21 | [2.016] | 53.34 | [2.100] | 1.27 | [.050] | 20 | 3-1658548-6 |
| △ | 48.26 | [1.900] | 19 | 51.21 | [2.016] | 53.34 | [2.100] | 1.27 | [.050] | 20 | 3-1658548-5 |
| △ | 45.72 | [1.800] | 18 | 48.67 | [1.916] | 50.80 | [2.000] | 0.00 | [.000] | 19 | 3-1658548-4 |
| △ | 45.72 | [1.800] | 18 | 48.67 | [1.916] | 50.80 | [2.000] | 0.00 | [.000] | 19 | 3-1658548-3 |
| △ | 43.18 | [1.700] | 17 | 46.13 | [1.816] | 48.26 | [1.900] | 1.27 | [.050] | 18 | 3-1658548-2 |
| △ | 43.18 | [1.700] | 17 | 46.13 | [1.816] | 48.26 | [1.900] | 1.27 | [.050] | 18 | 3-1658548-1 |
| △ | 40.64 | [1.600] | 16 | 43.59 | [1.716] | 45.72 | [1.800] | 0.00 | [.000] | 17 | 3-1658548-0 |
| △ | 40.64 | [1.600] | 16 | 43.59 | [1.716] | 45.72 | [1.800] | 0.00 | [.000] | 17 | 2-1658548-9 |
| △ | 38.10 | [1.500] | 15 | 41.05 | [1.616] | 43.18 | [1.700] | 1.27 | [.050] | 16 | 2-1658548-8 |
| △ | 38.10 | [1.500] | 15 | 41.05 | [1.616] | 43.18 | [1.700] | 1.27 | [.050] | 16 | 2-1658548-7 |
| △ | 35.56 | [1.400] | 14 | 38.51 | [1.516] | 40.64 | [1.600] | 0.00 | [.000] | 15 | 2-1658548-6 |
| △ | 35.56 | [1.400] | 14 | 38.51 | [1.516] | 40.64 | [1.600] | 0.00 | [.000] | 15 | 2-1658548-5 |
| △ | 33.02 | [1.300] | 13 | 35.97 | [1.416] | 38.10 | [1.500] | 1.27 | [.050] | 14 | 2-1658548-4 |
| △ | 33.02 | [1.300] | 13 | 35.97 | [1.416] | 38.10 | [1.500] | 1.27 | [.050] | 14 | 2-1658548-3 |
| △ | 30.48 | [1.200] | 12 | 33.43 | [1.316] | 35.56 | [1.400] | 0.00 | [.000] | 13 | 2-1658548-2 |
| △ | 30.48 | [1.200] | 12 | 33.43 | [1.316] | 35.56 | [1.400] | 0.00 | [.000] | 13 | 2-1658548-1 |
| △ | 27.94 | [1.100] | 11 | 30.89 | [1.216] | 33.02 | [1.300] | 1.27 | [.050] | 12 | 2-1658548-0 |
| △ | 27.94 | [1.100] | 11 | 30.89 | [1.216] | 33.02 | [1.300] | 1.27 | [.050] | 12 | 1-1658548-9 |
| △ | 25.40 | [1.000] | 10 | 28.35 | [1.116] | 30.48 | [1.200] | 0.00 | [.000] | 11 | 1-1658548-8 |
| △ | 25.40 | [1.000] | 10 | 28.35 | [1.116] | 30.48 | [1.200] | 0.00 | [.000] | 11 | 1-1658548-7 |
| △ | 22.86 | [0.900] | 9 | 25.81 | [1.016] | 27.94 | [1.100] | 1.27 | [.050] | 10 | 1-1658548-6 |
| △ | 22.86 | [0.900] | 9 | 25.81 | [1.016] | 27.94 | [1.100] | 1.27 | [.050] | 10 | 1-1658548-5 |
| △ | 20.32 | [0.800] | 8 | 23.27 | [0.916] | 25.40 | [1.000] | 0.00 | [.000] | 9 | 1-1658548-4 |
| △ | 20.32 | [0.800] | 8 | 23.27 | [0.916] | 25.40 | [1.000] | 0.00 | [.000] | 9 | 1-1658548-3 |
| △ | 17.78 | [0.700] | 7 | 20.73 | [0.816] | 22.86 | [0.900] | 1.27 | [.050] | 8 | 1-1658548-2 |
| △ | 17.78 | [0.700] | 7 | 20.73 | [0.816] | 22.86 | [0.900] | 1.27 | [.050] | 8 | 1-1658548-1 |
| △ | 15.24 | [0.600] | 6 | 18.19 | [0.716] | 20.32 | [0.800] | 0.00 | [.000] | 7 | 1-1658548-0 |
| △ | 15.24 | [0.600] | 6 | 18.19 | [0.716] | 20.32 | [0.800] | 0.00 | [.000] | 7 | 1658548-9 |
| △ | 12.70 | [0.500] | 5 | 15.65 | [0.616] | 17.78 | [0.700] | 1.27 | [.050] | 6 | 1658548-8 |
| △ | 12.70 | [0.500] | 5 | 15.65 | [0.616] | 17.78 | [0.700] | 1.27 | [.050] | 6 | 1658548-7 |
| △ | 10.16 | [0.400] | 4 | 13.11 | [0.516] | 15.24 | [0.600] | 0.00 | [.000] | 5 | 1658548-6 |
| △ | 10.16 | [0.400] | 4 | 13.11 | [0.516] | 15.24 | [0.600] | 0.00 | [.000] | 5 | 1658548-5 |
| △ | 7.62 | [0.300] | 3 | 10.57 | [0.416] | 12.70 | [0.500] | 1.27 | [.050] | 4 | 1658548-4 |
| △ | 7.62 | [0.300] | 3 | 10.57 | [0.416] | 12.70 | [0.500] | 1.27 | [.050] | 4 | 1658548-3 |
| △ | 53.34 | [2.100] | 21 | 56.29 | [2.216] | 58.42 | [2.300] | 1.27 | [.050] | 22 | 1658548-2 |
| △ | 53.34 | [2.100] | 21 | 56.29 | [2.216] | 58.42 | [2.300] | 1.27 | [.050] | 22 | 1658548-1 |

| FINISH | Z | Y | X | W | V | NO OF POS | PART NUMBER |
|--------|---|---|---|---|---|-----------|-------------|
| | | | | | | | |

| | | | | |
|--|--|-------------------------|---|--------------|
| THIS DRAWING IS A CONTROLLED DOCUMENT. | | DIN J.GERACE 17OCT03 | Tyco Electronics Corporation Harrisburg, PA 17105-3608 | |
| DIMENSIONS: mm [INCHES] | TOLERANCES UNLESS OTHERWISE SPECIFIED: | CHK S.BOLASH 17OCT03 | NAME | |
| 0 PLC ± - | 1 PLC ± - | APVD M.WALMSLEY 17OCT03 | PRODUCT SPEC | |
| 2 PLC ± 0.13 [.005] | 3 PLC ± - | APPLICATION SPEC | SIZE | CAGE CODE |
| 4 PLC ± - | ANGLES ± - | WEIGHT | A1 | 00779 |
| MATERIAL | FINISH SEE TABLE | RESTRICTED TO | SCALE 5:1 | SHEET 1 of 1 |
| | | CUSTOMER DRAWING | 1658548 | REV B |

X-ON Electronics

Largest Supplier of Electrical and Electronic Components

Click to view similar products for [FFC & FPC Connectors](#) category:

Click to view products by [TE Connectivity](#) manufacturer:

Other Similar products are found below :

[FPH-1422G](#) [FPH-1602G](#) [K-FC20](#) [FH29B-80S-0.2SHW\(99\)](#) [FPH-2022G](#) [AYF332735](#) [52610-1075](#) [52610-1275](#) [52610-1934](#) [501864-3091-TR225](#) [086222026001800](#) [52610-0675](#) [62684-36210E9ALF](#) [52746-1671-TR250](#) [10051922-2810EHLF](#) [6-520415-9](#) [SFV6R-1STE9HLF](#) [XF3M-2915-1B-R100](#) [1658549-1](#) [AYF534065TA](#) [AYF351525](#) [086212040340800+](#) [67000-014LF](#) [67000-004LF](#) [006207341915000+](#) [DS1020-19RT1D](#) [67000-003LF](#) [67000-011LF](#) [67000-016LF](#) [HFW14R-2STE9LF](#) [SFV32R-2STBE9HLF](#) [SFW12R-5STE9LF](#) [SFW18R-1STAE9LF](#) [SFW4R-5STE9LF](#) [52807-0430](#) [046283021002868+](#) [THD1015-8CL-SN](#) [67000-006LF](#) [502250-8027](#) [104267-9617](#) [66987-011LF](#) [AYF362535](#) [F0501-T-50-20T-R](#) [F1003-ZV-12-25T-R](#) [HFW8S-2STAE1HLF](#) [67000-008LF](#) [67000-012LF](#) [ECC576069EU](#) [F1002-B-20-20T-R](#) [HFW15S-2STAE1HLF](#)