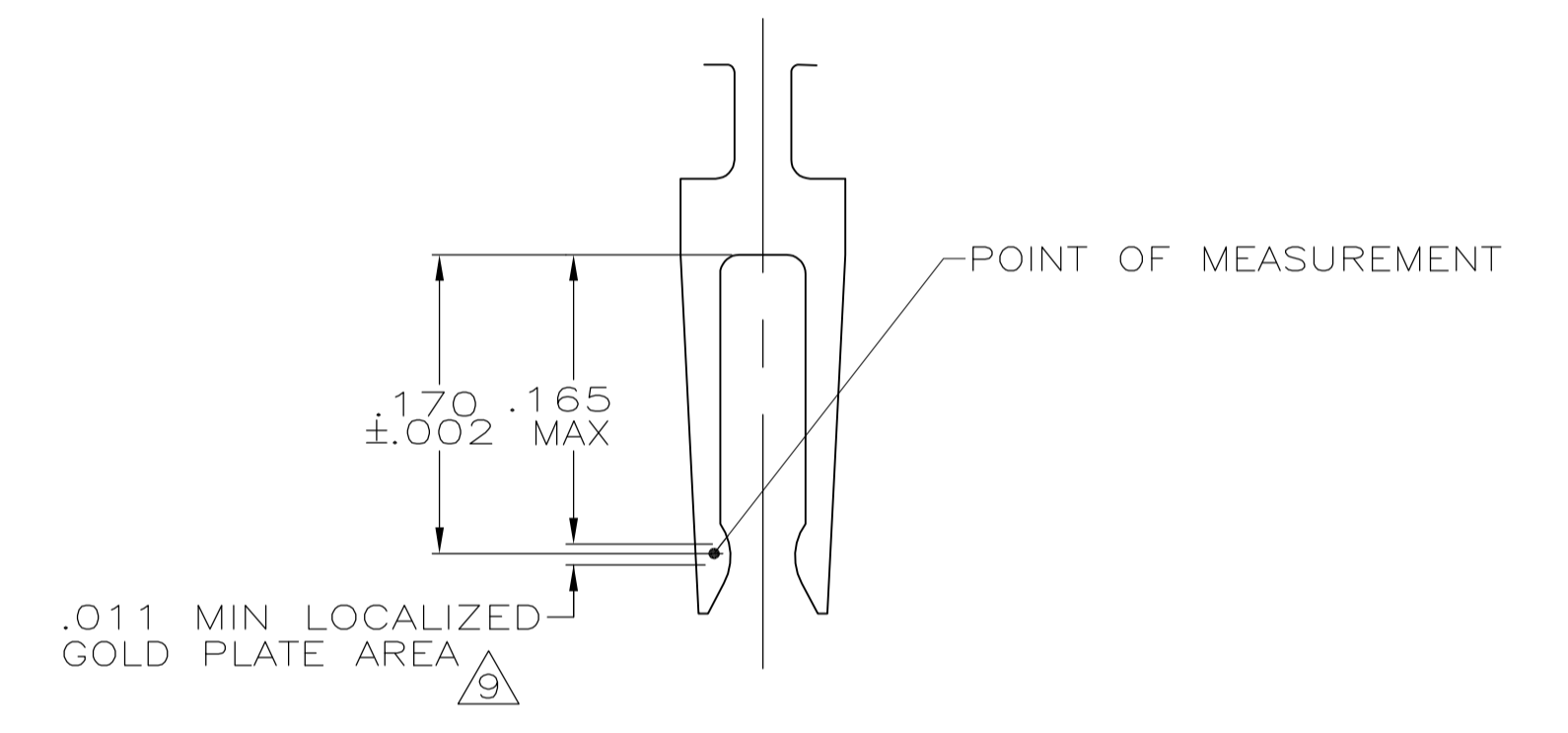
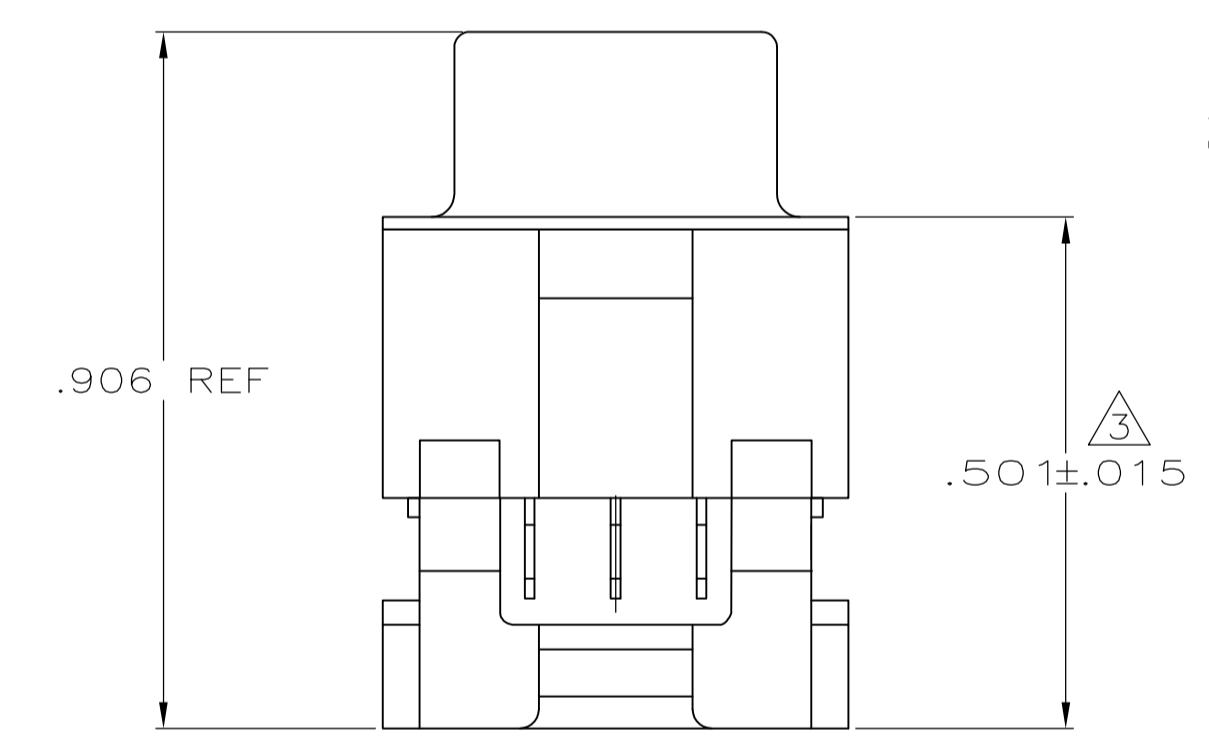
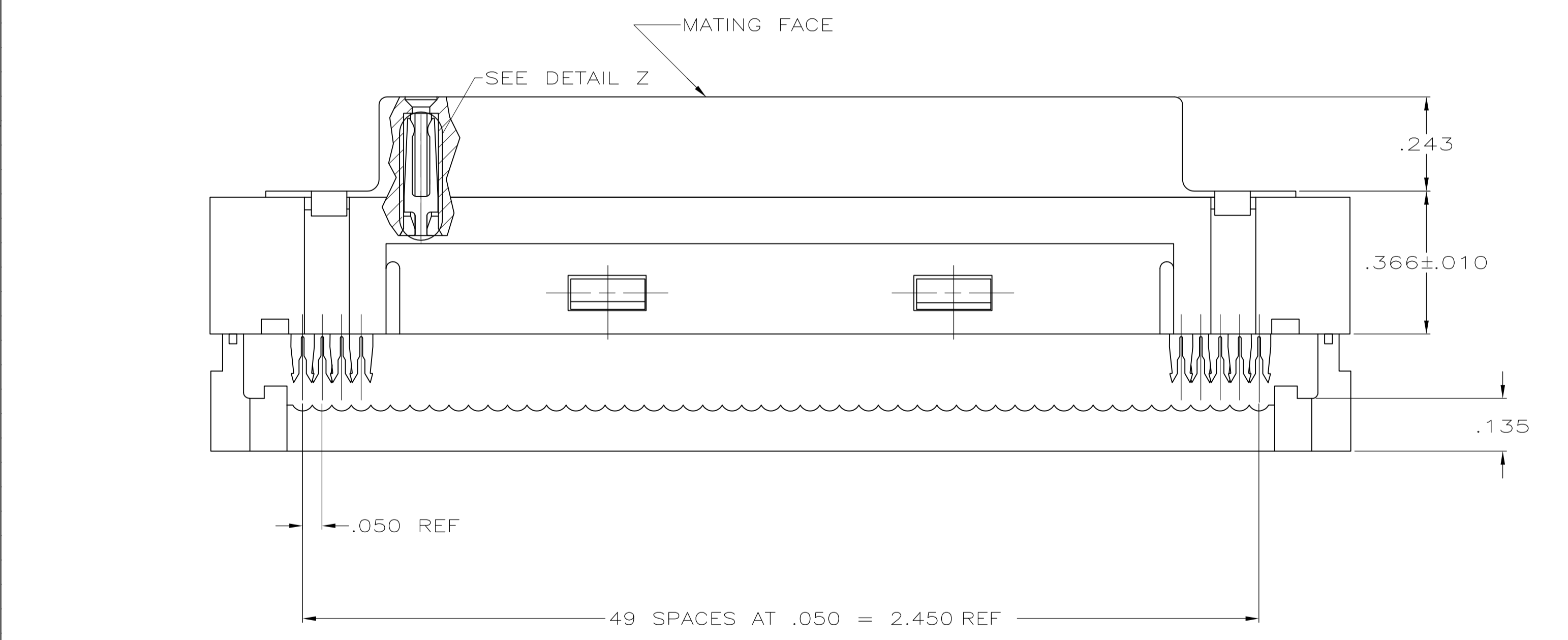
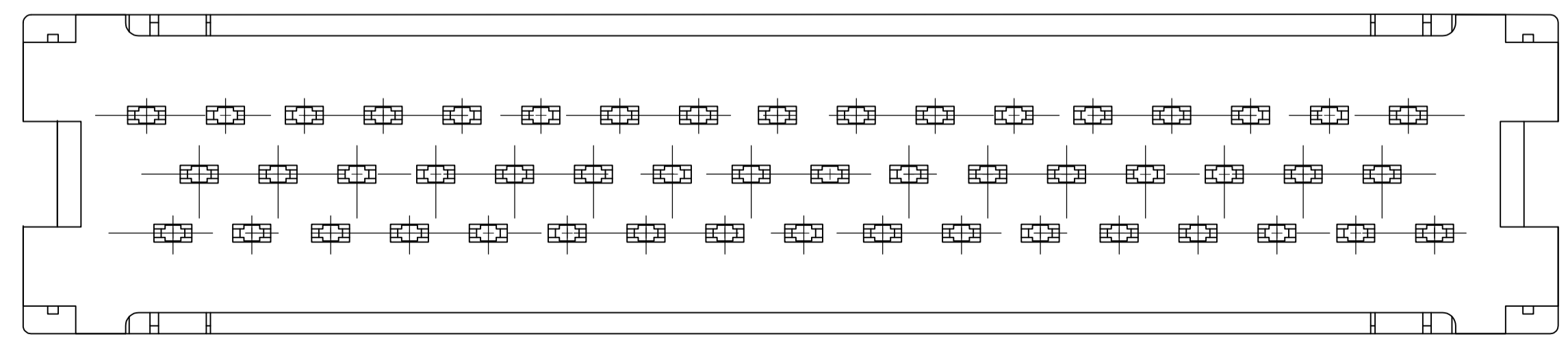


- CONNECTORS COMPLY WITH AMP SPEC 108-40012.
 - CONNECTOR DESIGNED FOR 28 AND 26 AWG STRANDED AND SOLID CONDUCTOR RIBBON CABLE ON .050 ϕ .
- △3 DIMENSION APPLIES TO TERMINATED CONNECTOR.
- △4 MOLDED PARTS:FLAME RETARDANT 94V-0 RATED THERMOPLASTIC; COLOR:BLACK.
- △5 SHELL: STEEL PER QQ-S-698.
- △6 CONTACTS: PH BRZ PER QQ-B-750.
- △7 GOLD PLATING PER MIL-G-45204, TIN PLATING PER MIL-T-10727,NICKEL PLATING PER QQ-N-290.
- △8 SHELL: BRIGHT TIN PLATED.
- △9 CONTACTS: PLATED .000030 GOLD IN LOCALIZED GOLD PLATE AREA,.000100 - .000200 MATTE TIN ON TERMINATION END,ALL OVER .000050 NICKEL ON ENTIRE CONTACT.
- △10 THE MAX SCREW PENETRATION INTO THE CONNECTOR = .312.
- △11 THREADED INSERTS: ZINC PLATED .000150-.000300 THICK, CLEAR CHROMATE COATED.



DETAIL Z
SCALE 10:1
ROTATED 180° CW



1658606-1
PART NO

THIS DRAWING IS A CONTROLLED DOCUMENT.		DIN	L. BAUM	6/12/03	TE Connectivity
DIMENSIONS: INCHES		CHK	C. ROHDE	6/12/03	
TOLERANCES UNLESS OTHERWISE SPECIFIED:		APVD	M. WALMSLEY	6/12/03	NAME
0. PLC ± -		PRODUCT SPEC		RECPT ASSY, HDF, FRONT METAL SHELL LEAD-FREE, AMP-LATCH	
1. PLC ± -		APPLICATION SPEC		-	
2. PLC ± -		SIZE	A1	CAGE CODE	00779
3. PLC ± .005		DRAWING NO	1658606		RESTRICTED TO
4. PLC ± -		WEIGHT	-		-
ANGLES ± -		CUSTOMER DRAWING		SCALE	NTS
MATERIAL		SHEET		1	OF 1
FINISH		REV		B1	

X-ON Electronics

Largest Supplier of Electrical and Electronic Components

Click to view similar products for [D-Sub Standard Connectors](#) category:

Click to view products by [TE Connectivity](#) manufacturer:

Other Similar products are found below :

[56F711-015](#) [012-9507-004](#) [LV242999-142T12](#) [015-0341-000](#) [015-0372-005](#) [015-0372-008](#) [015-8755-001](#) [020419-0104](#) [012-0467-000](#) [012-0515-000](#) [012-9507-034](#) [012-9507-114](#) [020745-0008](#) [609-25P](#) [M24308/2-23Z](#) [CT2-14S-2PCA34](#) [CT2-18-11PCAU](#) [CT2-36-15SC](#) [CT6-14S-2SC](#) [CT6E14SA7SC](#) [CT6E22-14PC](#) [CT6E22-14PS](#) [CT6E22-22PS](#) [CT6M20-19SS](#) [M83513/01-FC](#) [M85049/48-3-2F](#) [6STD09PCM99B70X](#) [6STD09SCM99B30X](#) [6STD09SCT99S40X](#) [6STD15PCT99S40X](#) [6STD15SCM99B30X](#) [6STD15SCT99S40X](#) [6STF09PCM05B70X](#) [7-135760-9](#) [MC11E-10-6SN](#) [747552-3](#) [MD1-21PS](#) [MDM-15SCBRM7-F222](#) [MDM96517-699](#) [MDM96521-744](#) [MDVB1-21SL1](#) [MIK0-1-7SH003](#) [MIKQ6-7SH076](#) [MIKQ7-7PH077](#) [MIKQ7-7PH11](#) [MIKQ7-7PH32](#) [MJSV-28SL61](#) [MKJ4A1F14-55S](#) [8-135760-3](#) [8STD09PCM99B30X](#)