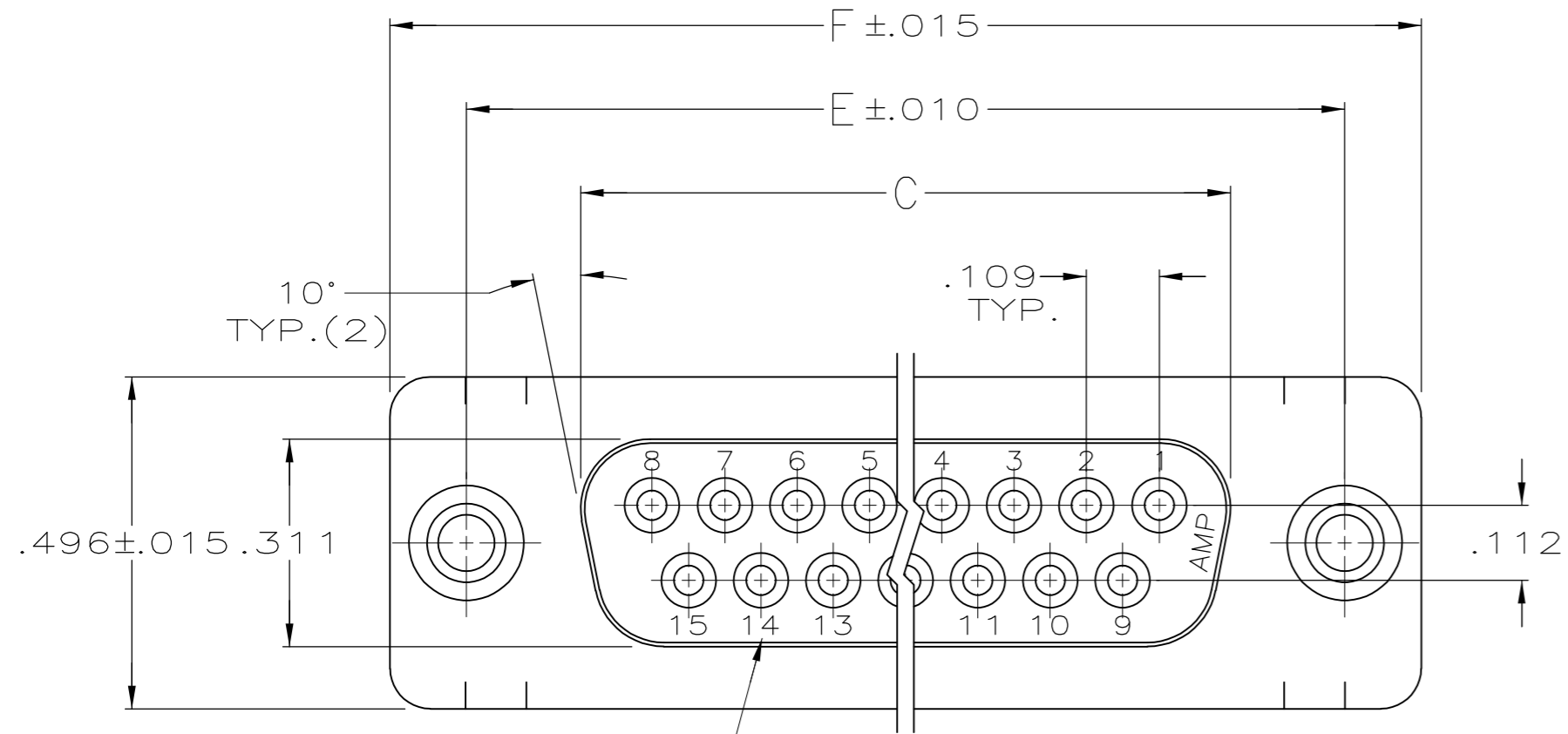
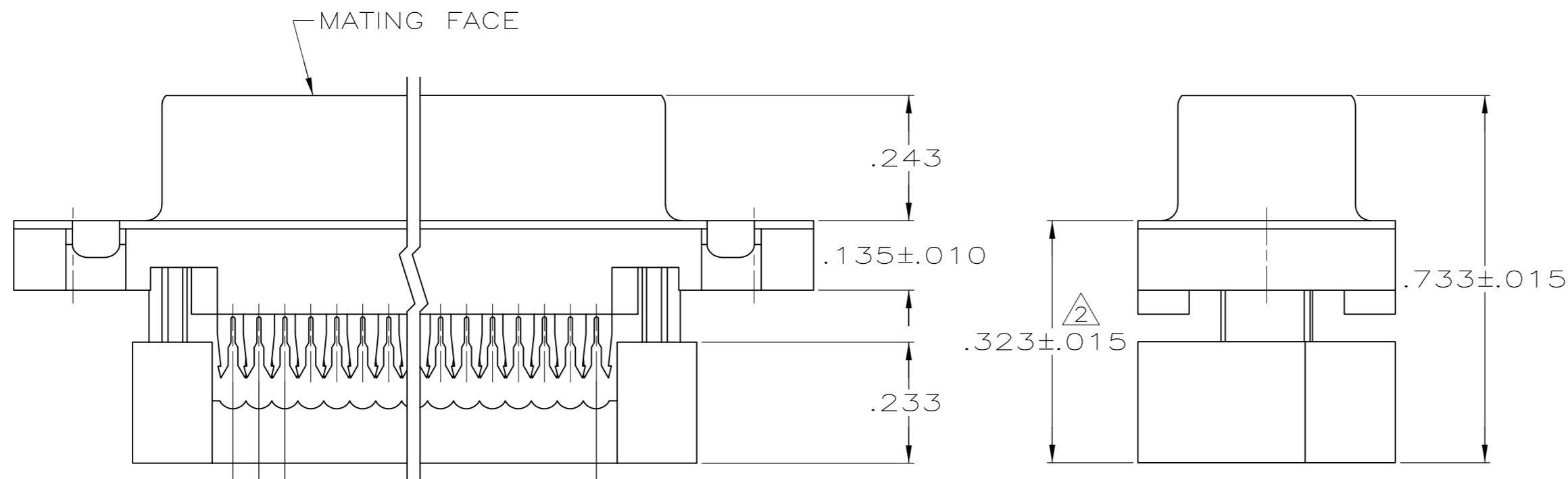


THIS DRAWING IS UNPUBLISHED. RELEASED FOR PUBLICATION
 © COPYRIGHT - By - ALL RIGHTS RESERVED.

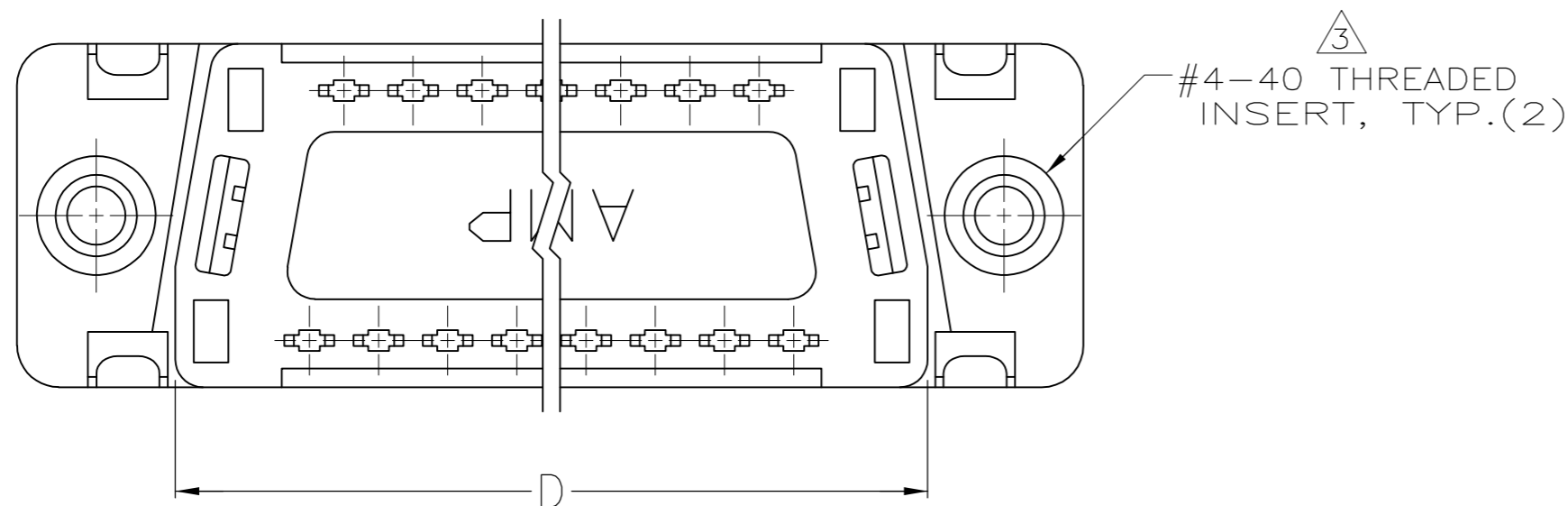
LOC		DIST		REVISIONS			
P	LTR	DESCRIPTION		DATE	DWN	APVD	
GP	00	A3	REVISED PER ECO-11-004835		11MAR11	RK	HMR



- CONNECTOR DESIGNED FOR 28 AND 26 AWG STRANDED AND SOLID CONDUCTOR RIBBON CABLE ON .050 ϕ .
- DIMENSION APPLIES TO TERMINATED CONNECTOR.
- INSERTS WILL WITHSTAND 6 IN LBS TORQUE AND 50 LBS PULL OUT FORCE FROM MATING FACE SIDE.
- HOUSING: THERMOPLASTIC, 94V-0 RATED, FLAME RETARDANT, COLOR: SEE TABLE. COVER: THERMOPLASTIC, 94V-0 RATED, FLAME RETARDANT, COLOR: BLACK. SHELL: STEEL PER QQ-S-698. CONTACTS: PHOSPHOR BRONZE PER QQ-B-750. INSERTS: BRASS PER MIL-C-50.
- GOLD PLATING PER MIL-G-45204, TIN PLATING PER MIL-T-10727, NICKEL PLATING PER QQ-N-290.
- SHELL: BRIGHT TIN PLATED. CONTACTS: .000030 MIN GOLD IN LOCALIZED GOLD PLATE AREA, .000100-.000200 MATTE TIN ON TERMINATION END, ALL OVER .000050 MIN NICKEL ON ENTIRE CONTACT.
- COLOR- C99 PANTONE 131C, GOLD.
- OBSOLETE PARTS: OBSOLETE CIS STREAMLINING PER D.RENAUD/D.SINISI



.050 REF.
 .100 REF.
 A SPACES AT .050 = B



F	E	D	C	B	A	HOUSING COLOR	NO OF POSN	PART NUMBER
1.541	1.312	1.087	.971	.700	14	BLACK	15	1658610-6
1.216	.984	.759	.643	.400	8	BLACK	9	1658610-4
1.541	1.312	1.087	.971	.700	14	BLACK	15	1658610-3
2.090	1.852	1.623	1.511	1.200	24	BLACK	25	1658610-2
2.732	2.500	2.275	2.159	1.800	36	BLACK	37	1658610-1

THIS DRAWING IS A CONTROLLED DOCUMENT.

DWN	B. MCMASTER	30MAR04
CHK	C. ROHDE	30MAR04
APVD	M. WALMSLEY	30MAR04

TE Connectivity

NAME: RECP ASSY, FRONT METAL SHELL, THREADED INSERTS, LEAD-FREE, AMPLIMITE HDF

PRODUCT SPEC: 108-40012

APPLICATION SPEC: -

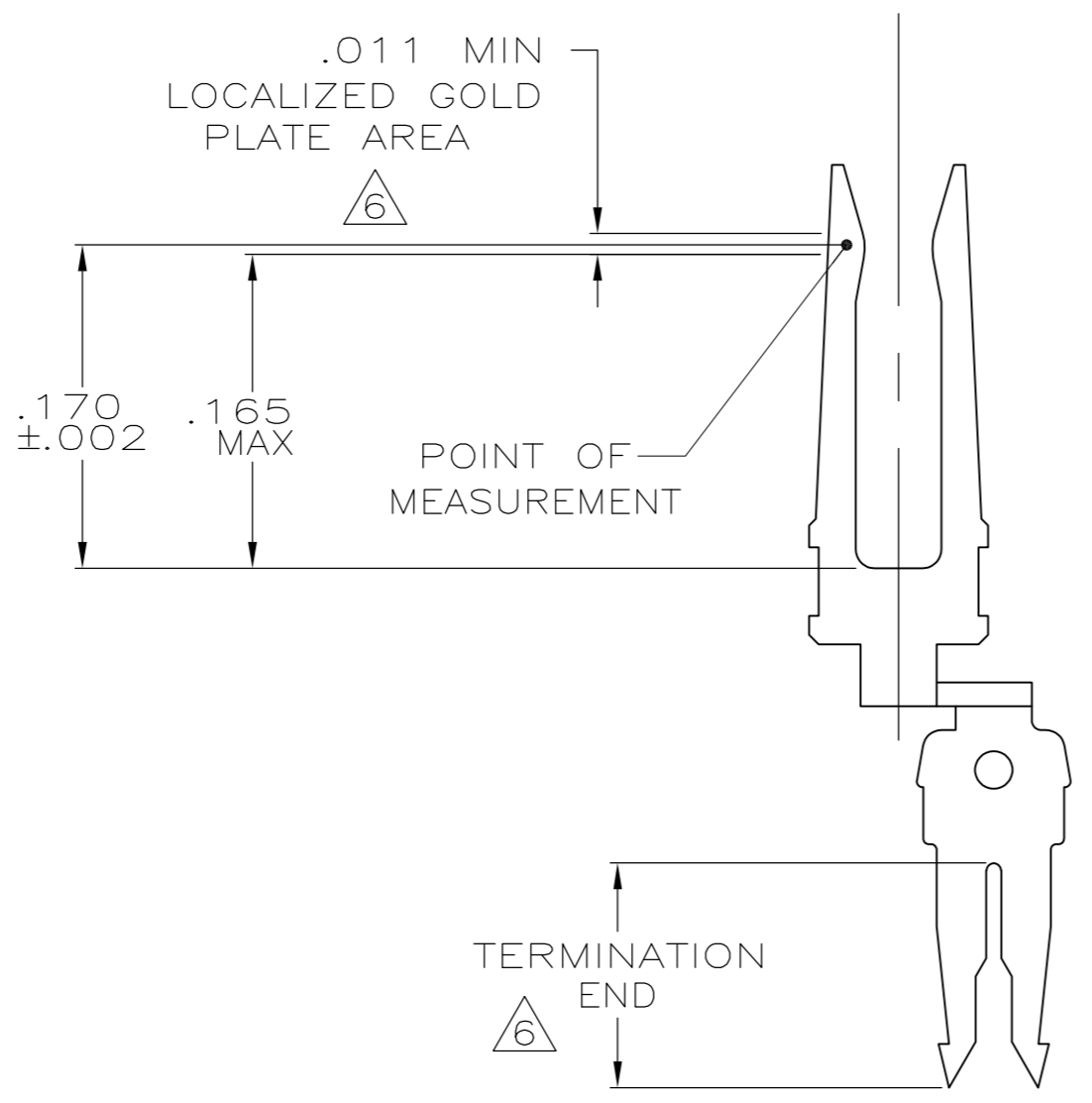
SIZE: A2 CAGE CODE: 00779 DRAWING NO: C=1658610 RESTRICTED TO: -

WEIGHT: -

CUSTOMER DRAWING SCALE: 4:1 SHEET: 1 of 2 REV: A3

THIS DRAWING IS UNPUBLISHED. RELEASED FOR PUBLICATION
 © COPYRIGHT - By - ALL RIGHTS RESERVED.

LOC	DIST	REVISIONS			
P	LTR	DESCRIPTION	DATE	DWN	APVD
GP	00	SEE SHEET 1	-	-	-



CONTACT DETAIL
 SCALE 10:1

THIS DRAWING IS A CONTROLLED DOCUMENT.		DWN B. MCMASTER 30MAR04	TE TE Connectivity	
DIMENSIONS: INCHES		CHK C. ROHDE 30MAR04		
TOLERANCES UNLESS OTHERWISE SPECIFIED:		APVD M. WALMSLEY 30MAR04	NAME	
0 PLC ± -		PRODUCT SPEC	RECPY ASSY, FRONT METAL SHELL, THREADED INSERTS, LEAD-FREE, AMPLIMITE HDF	
1 PLC ± -		108-40012	SIZE	RESTRICTED TO
2 PLC ± -		APPLICATION SPEC	CAGE CODE	DRAWING NO
3 PLC ± .005		-	A2 00779	C=1658610
4 PLC ± -		MATERIAL	SCALE	SHEET
ANGLES ± 2°		FINISH	4:1	2 of 2
MATERIAL		WEIGHT	CUSTOMER DRAWING	REV
-		-		A3

1658610

X-ON Electronics

Largest Supplier of Electrical and Electronic Components

Click to view similar products for [D-Sub Standard Connectors](#) category:

Click to view products by [TE Connectivity](#) manufacturer:

Other Similar products are found below :

[56F711-015](#) [012-9507-004](#) [LV242999-142T12](#) [015-0341-000](#) [015-0372-005](#) [015-0372-008](#) [015-8755-001](#) [020419-0104](#) [012-0467-000](#) [012-0515-000](#) [012-9507-034](#) [012-9507-114](#) [020745-0008](#) [609-25P](#) [M24308/2-23Z](#) [CT2-14S-2PCA34](#) [CT2-18-11PCAU](#) [CT6-10SL-3SC](#) [CT6-10SL-4SC](#) [CT6-14S-2SC](#) [CT6E14SA7SC](#) [M83513/01-FC](#) [M83723/76W24619 L/C](#) [M85049/48-3-2F](#) [6STD09PCM99B70X](#) [6STD09SCM99B30X](#) [6STD09SCT99S40X](#) [6STD15PCT99S40X](#) [6STD15SCM99B30X](#) [6STD15SCT99S40X](#) [6STF09PCM05B70X](#) [7-135760-9](#) [MC11E-10-6SN](#) [747552-3](#) [MD1-21PS](#) [MDM-15SCBRM7-F222](#) [MDM96517-699](#) [MDM96521-744](#) [MDVB1-21SL1](#) [MIK0-1-7SH003](#) [MIKQ6-7SH076](#) [MIKQ7-7PH077](#) [MIKQ7-7PH11](#) [MIKQ7-7PH32](#) [MJSV-28SL61](#) [MKJ4A1F14-55S](#) [8-135760-3](#) [8STD09PCM99B30X](#) [PG-KV/PV-16-GROM-SEALING](#) [GDA15P](#)