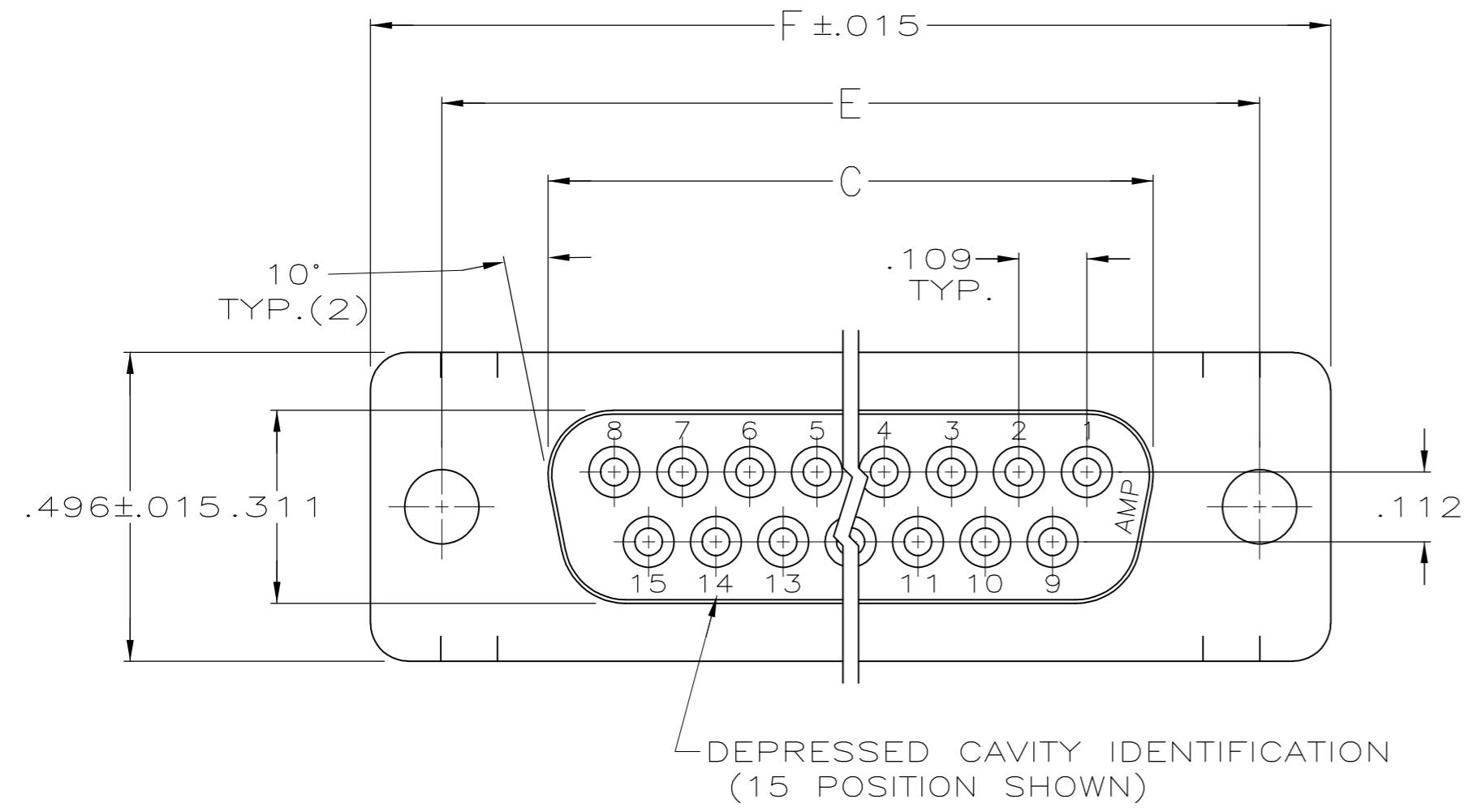
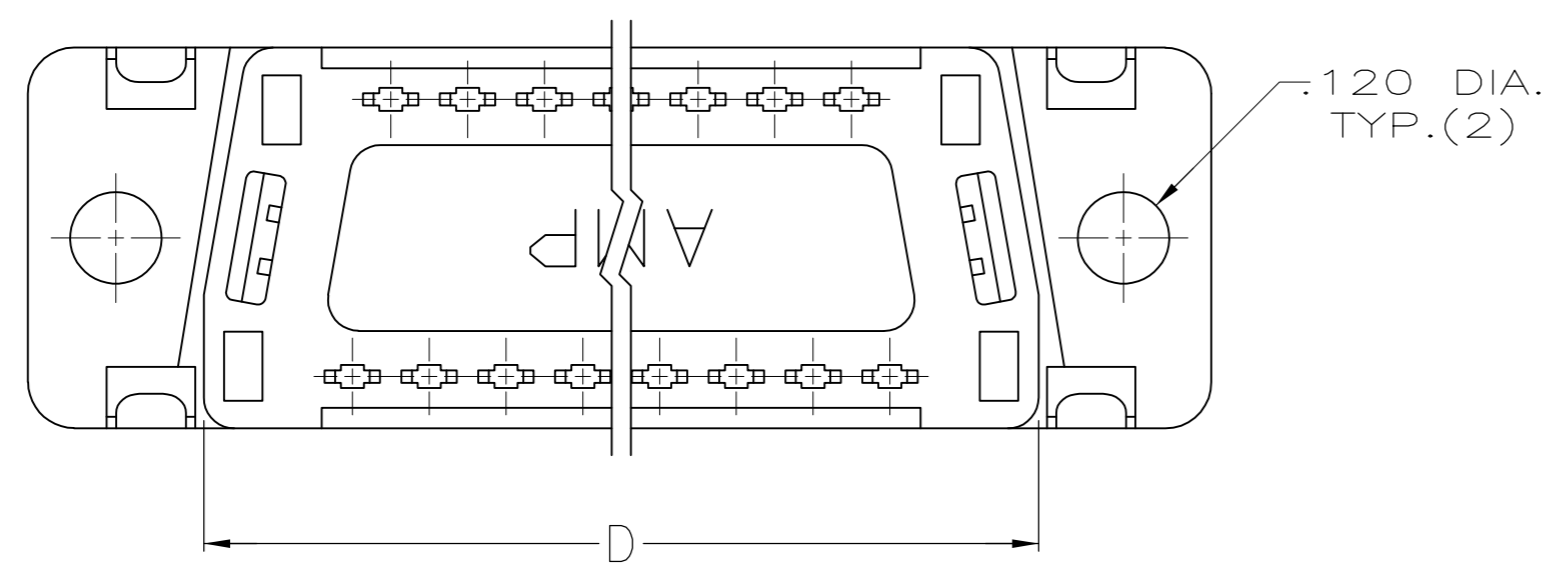
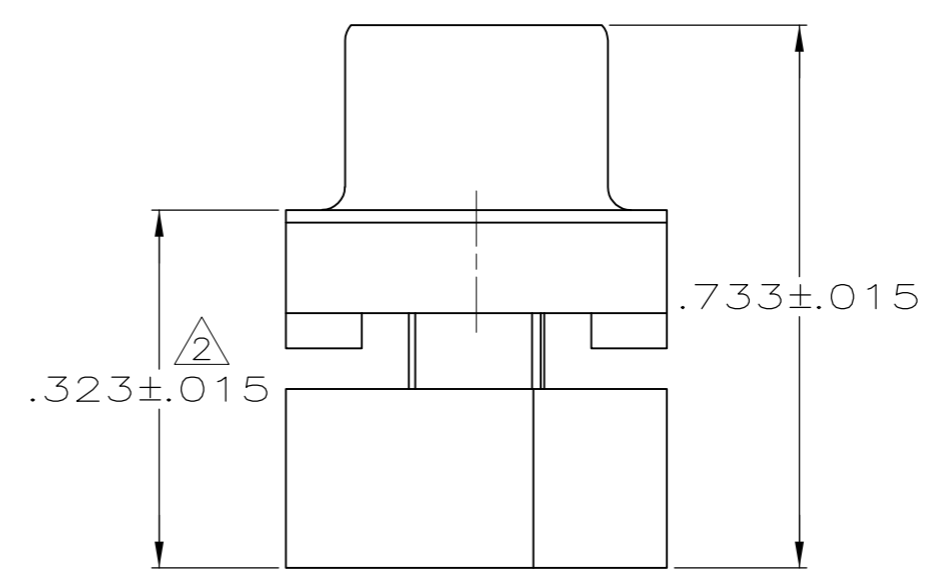
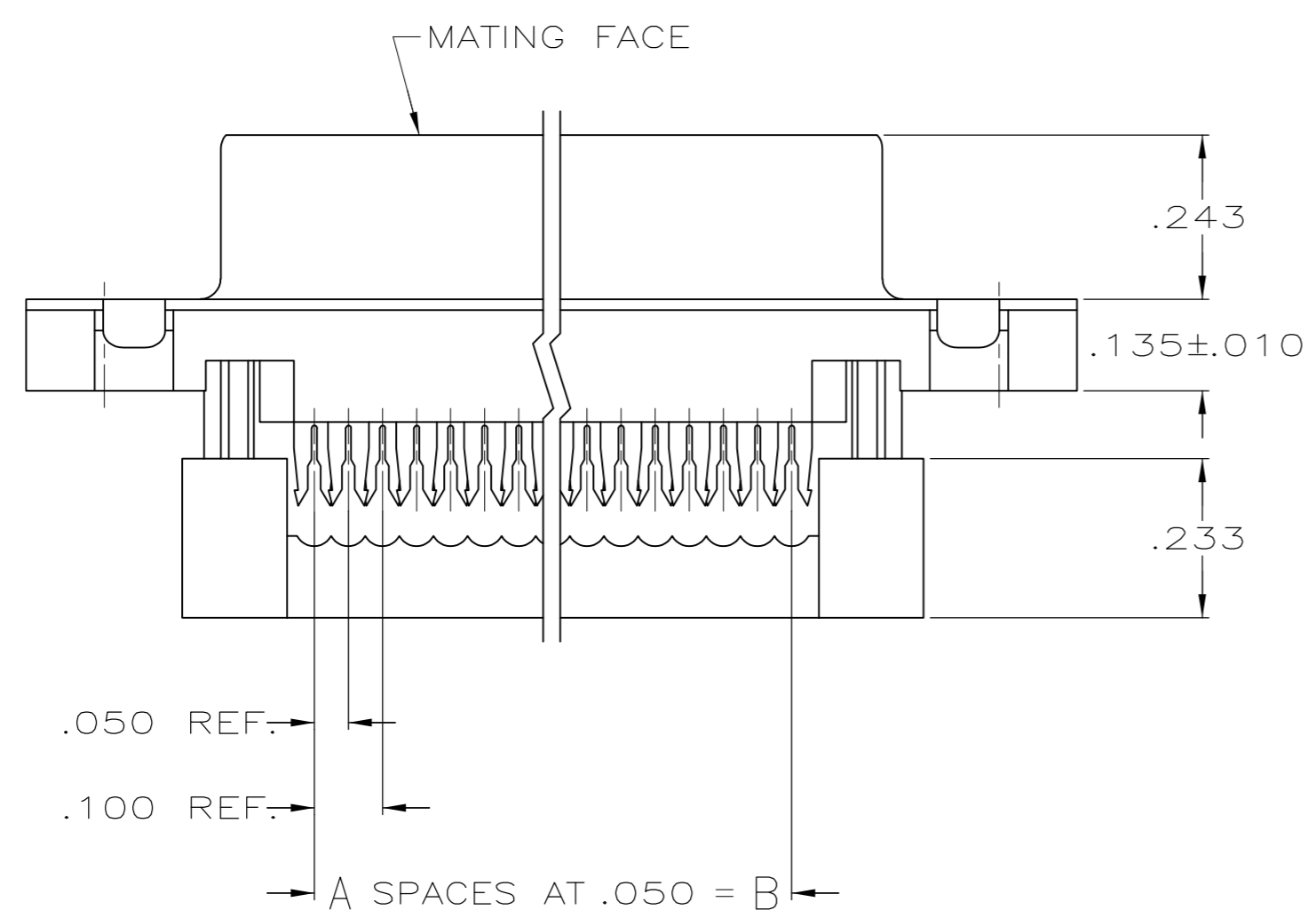


THIS DRAWING IS UNPUBLISHED. RELEASED FOR PUBLICATION  
 © COPYRIGHT - By - ALL RIGHTS RESERVED.

LOC		DIST		REVISIONS			
P	LTR	DESCRIPTION		DATE	DWN	APVD	
GP	00	P		REVISED PER ECO-11-004835	11MAR11	RK HMR	



- CONNECTOR DESIGNED FOR 28 AND 26 AWG STRANDED AND SOLID CONDUCTOR RIBBON CABLE ON .050 $\phi$ .
- DIMENSION APPLIES TO TERMINATED CONNECTOR.
- MOLDED PARTS: THERMOPLASTIC, 94V-0 RATED, FLAME RETARDANT, BLACK. SHELL: STEEL PER QQ-S-698. CONTACTS: PHOSPHOR BRONZE PER QQ-B-750.
- GOLD PLATING PER MIL-G-45204, TIN PLATING PER MIL-T-10727, NICKEL PLATING PER QQ-N-290
- SHELL: BRIGHT TIN PLATED. CONTACTS: .000030 MIN GOLD IN LOCALIZED GOLD PLATE AREA, .000100-.000200 MATTE TIN ON TERMINATION END, ALL OVER .000050 MIN NICKEL ON ENTIRE CONTACT.



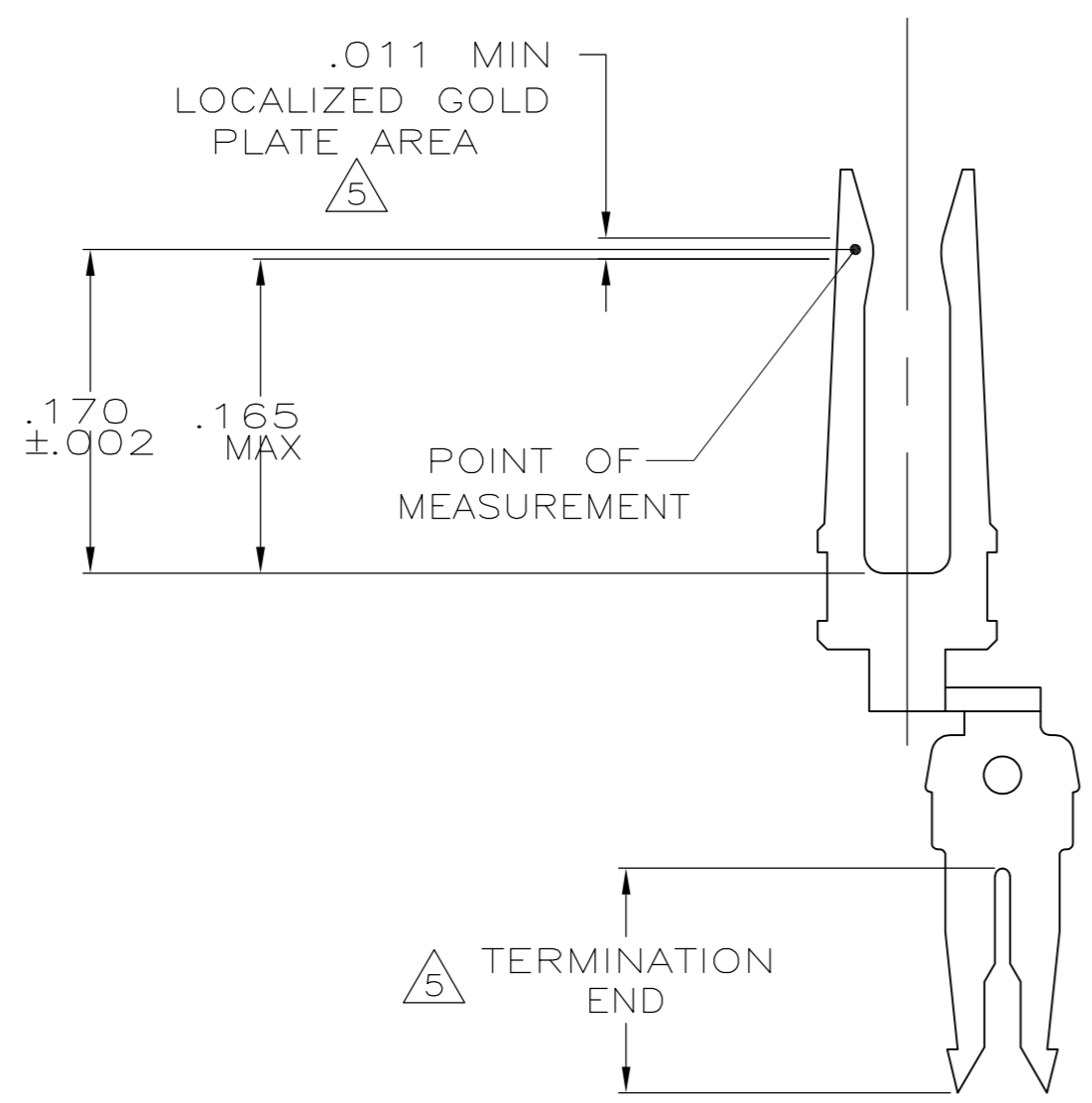
1.216	.984	.759	.643	.400	8	9	1658612-4
1.541	1.312	1.087	.971	.700	14	15	1658612-3
2.090	1.852	1.623	1.511	1.200	24	25	1658612-2
2.732	2.500	2.275	2.159	1.800	36	37	1658612-1
F	E	D	C	B	A	NO OF POSN	PART NUMBER

THIS DRAWING IS A CONTROLLED DOCUMENT.

DWN	L. BAUM	6/13/03		TE Connectivity RCPT ASSY, FRONT METAL SHELL, LEAD-FREE, AMPLIMITE HDF
CHK	C. ROHDE	6/13/03		
APVD	M. WALMSLEY	6/13/03		
NAME	108-40012			
DIMENSIONS: INCHES			PRODUCT SPEC	
TOLERANCES UNLESS OTHERWISE SPECIFIED:			APPLICATION SPEC	
0 PLC ± -			-	
1 PLC ± -			-	
2 PLC ± -			-	
3 PLC ± .005			-	
4 PLC ± -			-	
ANGLES ± 2°			-	
FINISH			WEIGHT	
3			-	
4			-	
5			-	
MATERIAL			SCALE	
3			4:1	
CUSTOMER DRAWING			SHEET	
-			1 of 2	
-			REV	
-			P	

THIS DRAWING IS UNPUBLISHED. RELEASED FOR PUBLICATION  
 © COPYRIGHT - By - ALL RIGHTS RESERVED.

LOC	DIST	REVISIONS					
GP	00	P	LTR	DESCRIPTION	DATE	DWN	APVD
		-	-	SEE SHEET 1	-	-	-



CONTACT DETAIL  
 SCALE 10:1

THIS DRAWING IS A CONTROLLED DOCUMENT.		DWN	L. BAUM	6/13/03		TE Connectivity		
DIMENSIONS: INCHES		CHK	C. ROHDE	6/13/03		RCPT ASSY, FRONT METAL SHELL, LEAD-FREE, AMPLIMITE HDF		
		APVD	M. WALMSLEY	6/13/03		NAME		
TOLERANCES UNLESS OTHERWISE SPECIFIED: 0 PLC ± - 1 PLC ± - 2 PLC ± - 3 PLC ± .005 4 PLC ± - ANGLES ± 2°		PRODUCT SPEC	108-40012			SIZE	A2	CAGE CODE
MATERIAL: SEE SHEET 1		FINISH	SEE SHEET 1		DRAWING NO	C=1658612		RESTRICTED TO
		WEIGHT	-		SCALE	4:1		SHEET
		CUSTOMER DRAWING			2 of 2		REV	P

1658612

## X-ON Electronics

Largest Supplier of Electrical and Electronic Components

*Click to view similar products for [D-Sub Standard Connectors](#) category:*

*Click to view products by [TE Connectivity](#) manufacturer:*

Other Similar products are found below :

[56F711-015](#) [012-9507-004](#) [LV242999-142T12](#) [015-0341-000](#) [015-0372-005](#) [015-0372-008](#) [015-8755-001](#) [020419-0104](#) [012-0467-000](#) [012-0515-000](#) [012-9507-034](#) [012-9507-114](#) [020745-0008](#) [609-25P](#) [M24308/2-23Z](#) [CT2-14S-2PCA34](#) [CT2-18-11PCAU](#) [CT6-10SL-3SC](#) [CT6-10SL-4SC](#) [CT6-14S-2SC](#) [CT6E14SA7SC](#) [M83513/01-FC](#) [M83723/76W24619 L/C](#) [M85049/48-3-2F](#) [6STD09PCM99B70X](#) [6STD09SCM99B30X](#) [6STD09SCT99S40X](#) [6STD15PCT99S40X](#) [6STD15SCM99B30X](#) [6STD15SCT99S40X](#) [6STF09PCM05B70X](#) [7-135760-9](#) [MC11E-10-6SN](#) [747552-3](#) [MD1-21PS](#) [MDM-15SCBRM7-F222](#) [MDM96517-699](#) [MDM96521-744](#) [MDVB1-21SL1](#) [MIK0-1-7SH003](#) [MIKQ6-7SH076](#) [MIKQ7-7PH077](#) [MIKQ7-7PH11](#) [MIKQ7-7PH32](#) [MJSV-28SL61](#) [MKJ4A1F14-55S](#) [8-135760-3](#) [8STD09PCM99B30X](#) [PG-KV/PV-16-GROM-SEALING](#) [GDA15P](#)