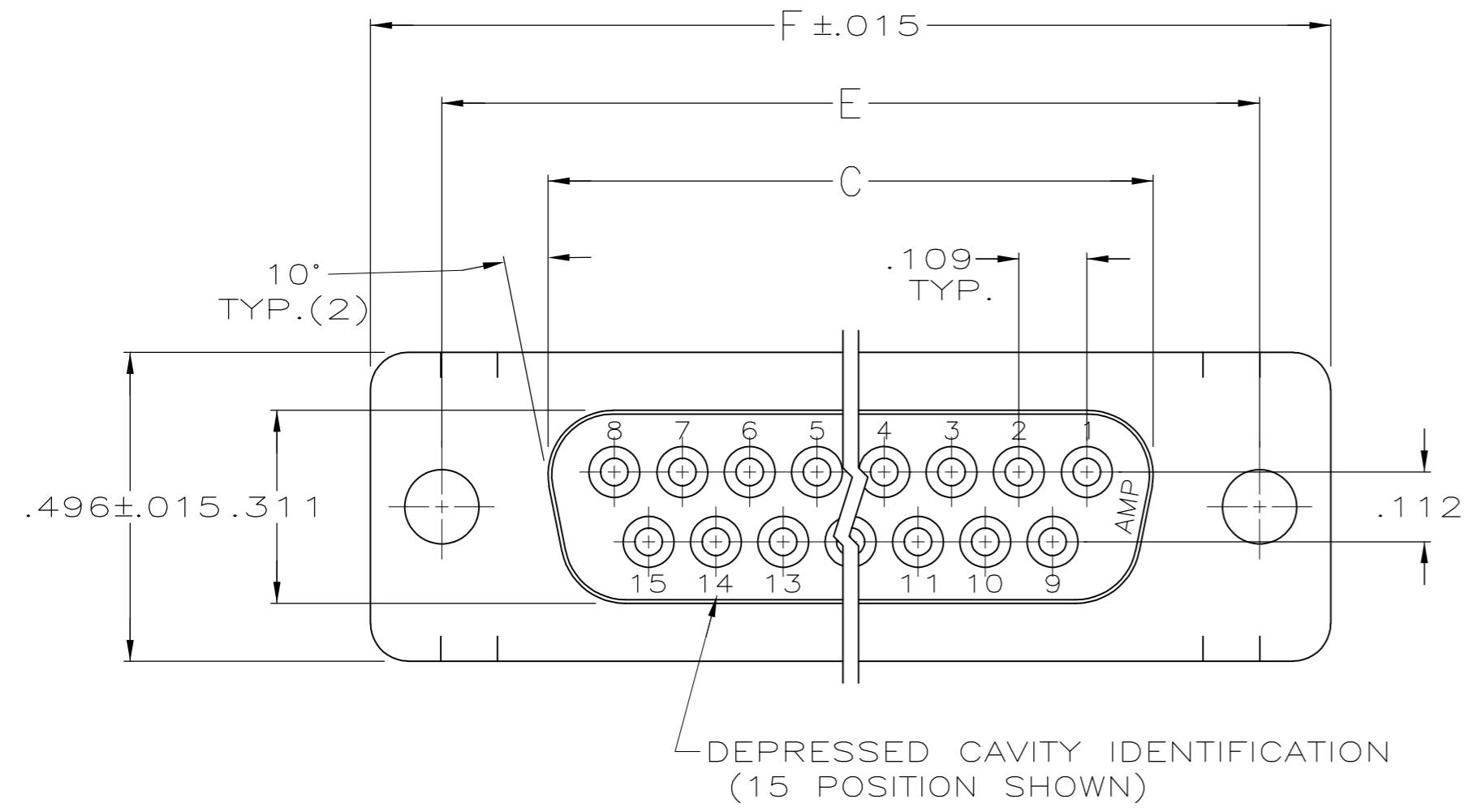
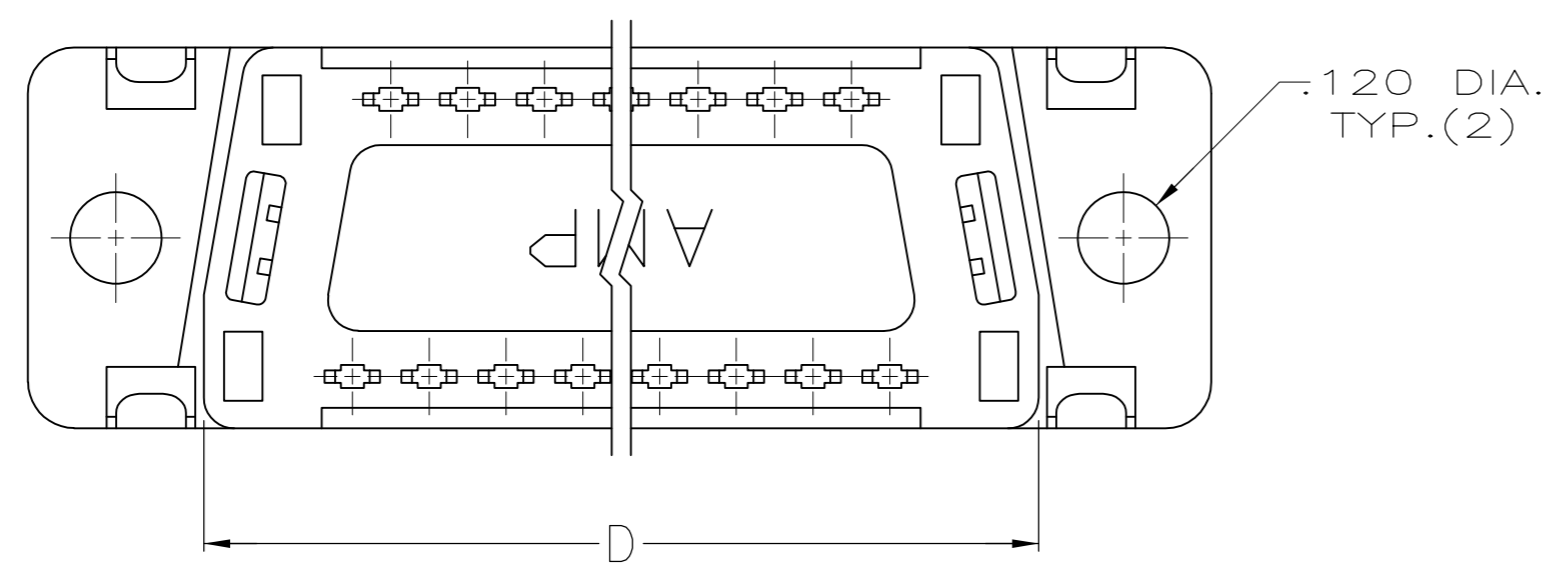
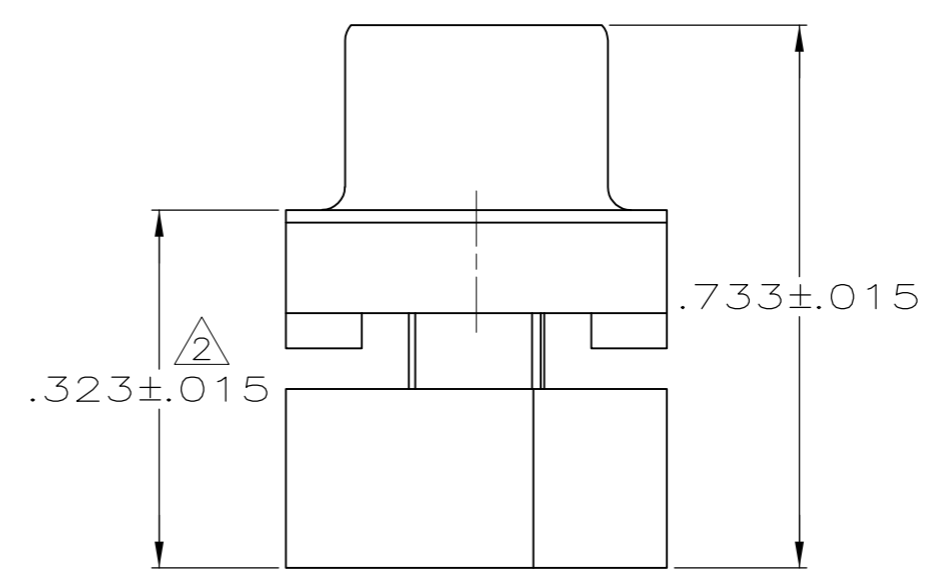
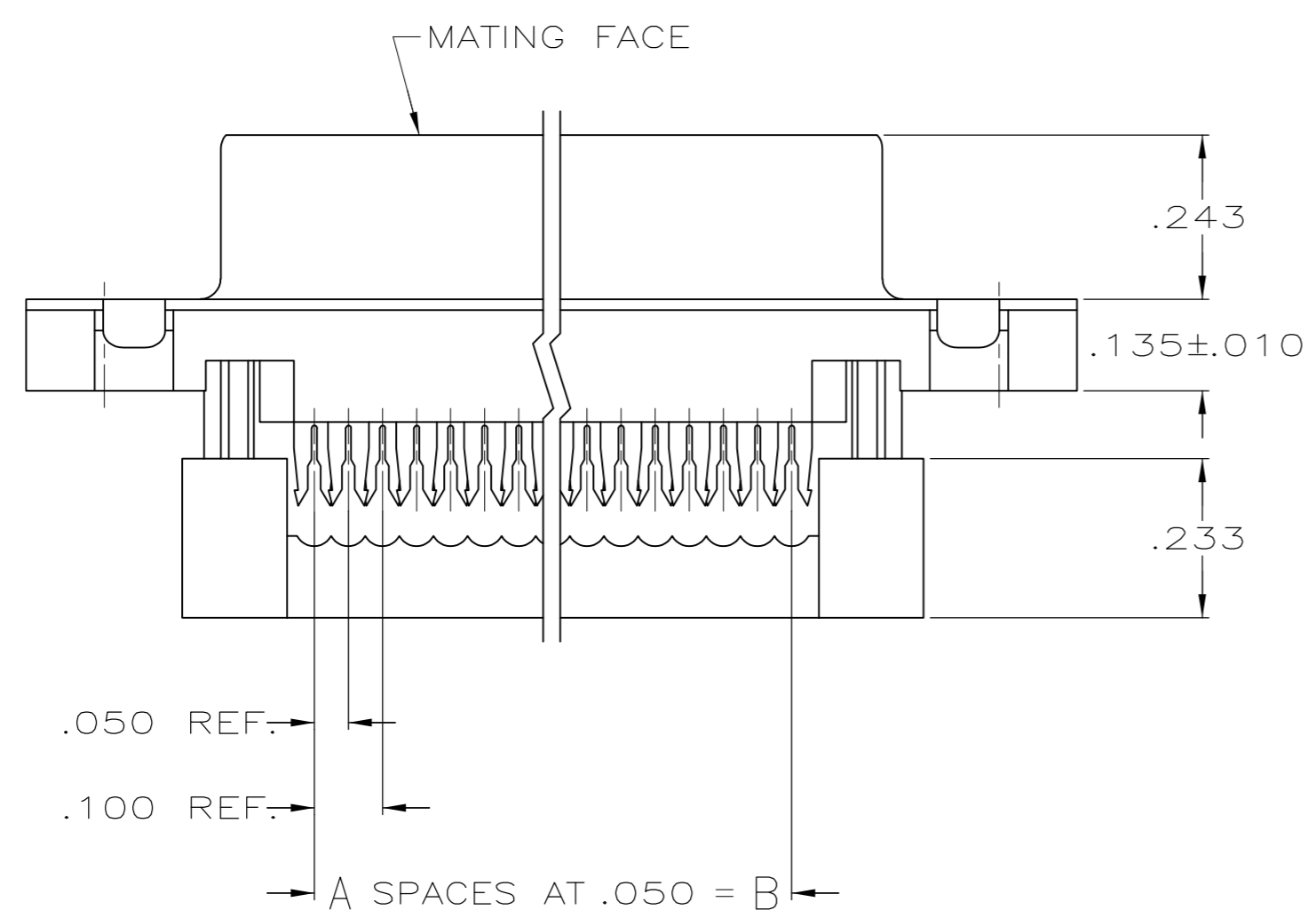


THIS DRAWING IS UNPUBLISHED. RELEASED FOR PUBLICATION  
 © COPYRIGHT - By - ALL RIGHTS RESERVED.

| LOC |     | DIST        |  | REVISIONS                 |         |        |  |
|-----|-----|-------------|--|---------------------------|---------|--------|--|
| P   | LTR | DESCRIPTION |  | DATE                      | DWN     | APVD   |  |
| GP  | 00  | P           |  | REVISED PER ECO-11-004835 | 11MAR11 | RK HMR |  |



- CONNECTOR DESIGNED FOR 28 AND 26 AWG STRANDED AND SOLID CONDUCTOR RIBBON CABLE ON .050 $\phi$ .
- DIMENSION APPLIES TO TERMINATED CONNECTOR.
- MOLDED PARTS: THERMOPLASTIC, 94V-0 RATED, FLAME RETARDANT, BLACK. SHELL: STEEL PER QQ-S-698. CONTACTS: PHOSPHOR BRONZE PER QQ-B-750.
- GOLD PLATING PER MIL-G-45204, TIN PLATING PER MIL-T-10727, NICKEL PLATING PER QQ-N-290
- SHELL: BRIGHT TIN PLATED. CONTACTS: .000030 MIN GOLD IN LOCALIZED GOLD PLATE AREA, .000100-.000200 MATTE TIN ON TERMINATION END, ALL OVER .000050 MIN NICKEL ON ENTIRE CONTACT.



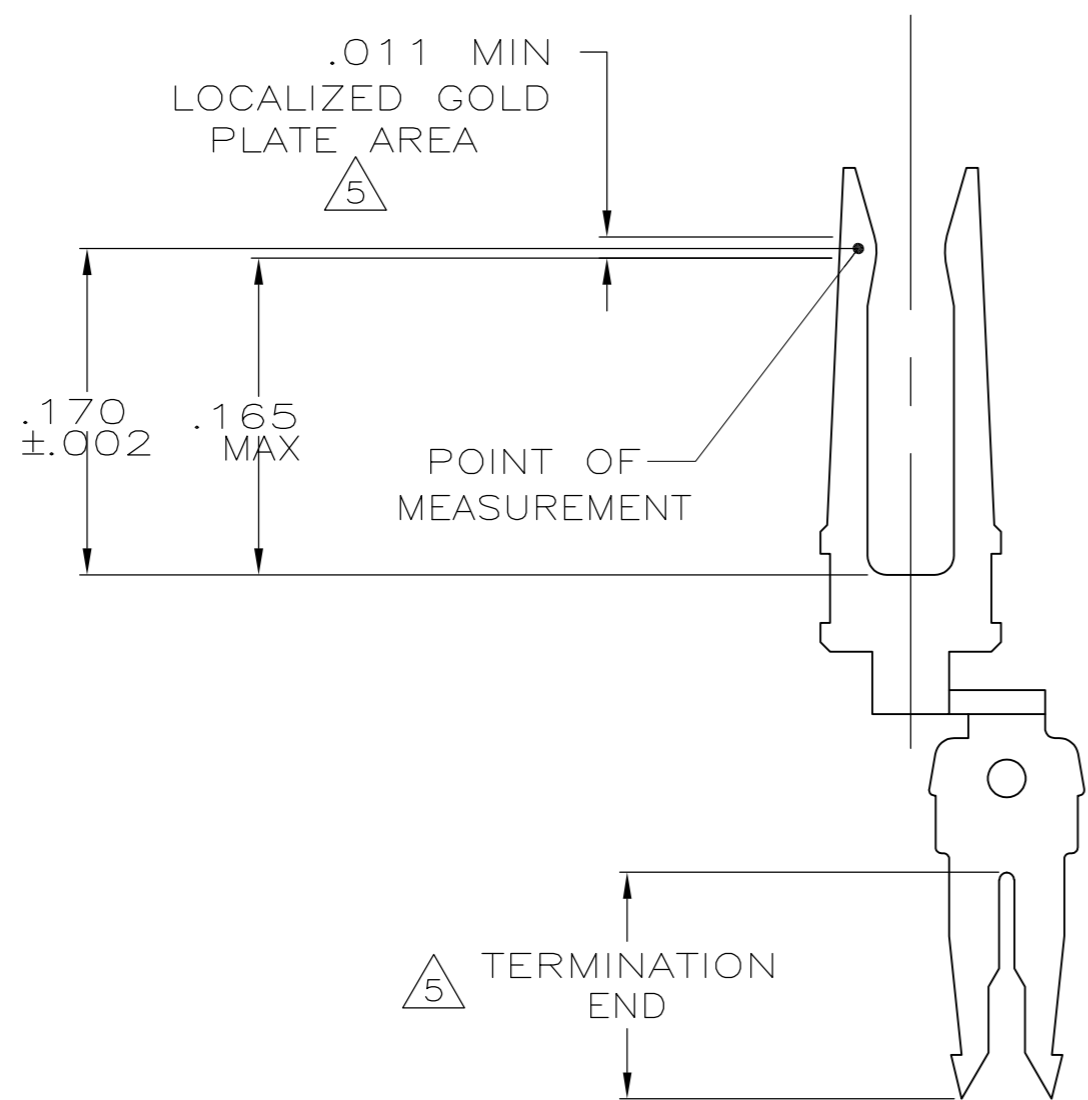
| 1.216 | .984  | .759  | .643  | .400  | 8  | 9          | 1658612-4   |
|-------|-------|-------|-------|-------|----|------------|-------------|
| 1.541 | 1.312 | 1.087 | .971  | .700  | 14 | 15         | 1658612-3   |
| 2.090 | 1.852 | 1.623 | 1.511 | 1.200 | 24 | 25         | 1658612-2   |
| 2.732 | 2.500 | 2.275 | 2.159 | 1.800 | 36 | 37         | 1658612-1   |
| F     | E     | D     | C     | B     | A  | NO OF POSN | PART NUMBER |

THIS DRAWING IS A CONTROLLED DOCUMENT.

|                          |          |  |                      |                 |
|--------------------------|----------|--|----------------------|-----------------|
| DWN L. BAUM 6/13/03      |          | RCPT ASSY, FRONT METAL SHELL, LEAD-FREE, AMPLIMITE HDF |                      |                 |
| CHK C. ROHDE 6/13/03     |          |  |                      |                 |
| APVD M. WALMSLEY 6/13/03 |          |  |                      |                 |
| NAME                     |          |  |                      |                 |
| PRODUCT SPEC 108-40012   | SIZE A2  | CAGE CODE 00779  | DRAWING NO C=1658612 | RESTRICTED TO - |
| APPLICATION SPEC         | WEIGHT - | SCALE 4:1  | SHEET 1 of 2         | REV P           |
| MATERIAL                 | FINISH   | CUSTOMER DRAWING                                       |                      |                 |

THIS DRAWING IS UNPUBLISHED. RELEASED FOR PUBLICATION  
 © COPYRIGHT - By - ALL RIGHTS RESERVED.

| LOC | DIST | REVISIONS |     |             |      |     |      |
|-----|------|-----------|-----|-------------|------|-----|------|
| GP  | 00   | P         | LTR | DESCRIPTION | DATE | DWN | APVD |
|     |      | -         | -   | SEE SHEET 1 | -    | -   | -    |



CONTACT DETAIL  
SCALE 10:1

|  |                       |                                |   |                    |       |   |   |       |   |   |       |   |      |       |   |   |        |   |    |                           |               |  |
|--|-----------------------|--------------------------------|---|--------------------|-------|---|---|-------|---|---|-------|---|------|-------|---|---|--------|---|----|---------------------------|---------------|--|
| THIS DRAWING IS A CONTROLLED DOCUMENT.   |                       | DWN<br>L. BAUM<br>6/13/03      |   |                    |       |   |   |       |   |   |       |   |      |       |   |   |        |   |    |                           |               |  |
| DIMENSIONS:<br>INCHES  |                       | CHK<br>C. ROHDE<br>6/13/03     |   |                    |       |   |   |       |   |   |       |   |      |       |   |   |        |   |    |                           |               |  |
| TOLERANCES UNLESS OTHERWISE SPECIFIED:   |                       | APVD<br>M. WALMSLEY<br>6/13/03 | NAME<br>RCPT ASSY, FRONT METAL SHELL,<br>LEAD-FREE, AMPLIMITE HDF |                    |       |   |   |       |   |   |       |   |      |       |   |   |        |   |    |                           |               |  |
| <table border="1"> <tr><td>0 PLC</td><td>±</td><td>-</td></tr> <tr><td>1 PLC</td><td>±</td><td>-</td></tr> <tr><td>2 PLC</td><td>±</td><td>-</td></tr> <tr><td>3 PLC</td><td>±</td><td>.005</td></tr> <tr><td>4 PLC</td><td>±</td><td>-</td></tr> <tr><td>ANGLES</td><td>±</td><td>2°</td></tr> </table> |                       | 0 PLC                          | ±   | -                  | 1 PLC | ± | - | 2 PLC | ± | - | 3 PLC | ± | .005 | 4 PLC | ± | - | ANGLES | ± | 2° | PRODUCT SPEC<br>108-40012 | RESTRICTED TO |  |
| 0 PLC  | ±                     | -                              |   |                    |       |   |   |       |   |   |       |   |      |       |   |   |        |   |    |                           |               |  |
| 1 PLC  | ±                     | -                              |   |                    |       |   |   |       |   |   |       |   |      |       |   |   |        |   |    |                           |               |  |
| 2 PLC  | ±                     | -                              |   |                    |       |   |   |       |   |   |       |   |      |       |   |   |        |   |    |                           |               |  |
| 3 PLC  | ±                     | .005                           |   |                    |       |   |   |       |   |   |       |   |      |       |   |   |        |   |    |                           |               |  |
| 4 PLC  | ±                     | -                              |   |                    |       |   |   |       |   |   |       |   |      |       |   |   |        |   |    |                           |               |  |
| ANGLES   | ±                     | 2°                             |   |                    |       |   |   |       |   |   |       |   |      |       |   |   |        |   |    |                           |               |  |
| MATERIAL<br>SEE SHEET 1  | FINISH<br>SEE SHEET 1 | APPLICATION SPEC<br>-          | SIZE<br>A2  | CAGE CODE<br>00779 |       |   |   |       |   |   |       |   |      |       |   |   |        |   |    |                           |               |  |
|  |                       | WEIGHT<br>-                    | DRAWING NO<br>C=1658612   | SCALE<br>4:1       |       |   |   |       |   |   |       |   |      |       |   |   |        |   |    |                           |               |  |
|  |                       | CUSTOMER DRAWING               | SHEET<br>2 of 2   | REV<br>P           |       |   |   |       |   |   |       |   |      |       |   |   |        |   |    |                           |               |  |

## X-ON Electronics

Largest Supplier of Electrical and Electronic Components

*Click to view similar products for [D-Sub Standard Connectors](#) category:*

*Click to view products by [TE Connectivity](#) manufacturer:*

Other Similar products are found below :

[56F711-015](#) [012-9507-004](#) [LV242999-142T12](#) [015-0341-000](#) [015-0372-005](#) [015-0372-008](#) [015-8755-001](#) [020419-0104](#) [012-0467-000](#) [012-0515-000](#) [012-9507-034](#) [012-9507-114](#) [020745-0008](#) [609-25P](#) [M24308/2-23Z](#) [CT2-14S-2PCA34](#) [CT2-18-11PCAU](#) [CT2-36-15SC](#) [CT6-14S-2SC](#) [CT6E14SA7SC](#) [CT6E22-14PC](#) [CT6E22-14PS](#) [CT6E22-22PS](#) [CT6M20-19SS](#) [M83513/01-FC](#) [M85049/48-3-2F](#) [6STD09PCM99B70X](#) [6STD09SCM99B30X](#) [6STD09SCT99S40X](#) [6STD15PCT99S40X](#) [6STD15SCM99B30X](#) [6STD15SCT99S40X](#) [6STF09PCM05B70X](#) [7-135760-9](#) [MC11E-10-6SN](#) [747552-3](#) [MD1-21PS](#) [MDM-15SCBRM7-F222](#) [MDM96517-699](#) [MDM96521-744](#) [MDVB1-21SL1](#) [MIK0-1-7SH003](#) [MIKQ6-7SH076](#) [MIKQ7-7PH077](#) [MIKQ7-7PH11](#) [MIKQ7-7PH32](#) [MJSV-28SL61](#) [MKJ4A1F14-55S](#) [8-135760-3](#) [8STD09PCM99B30X](#)