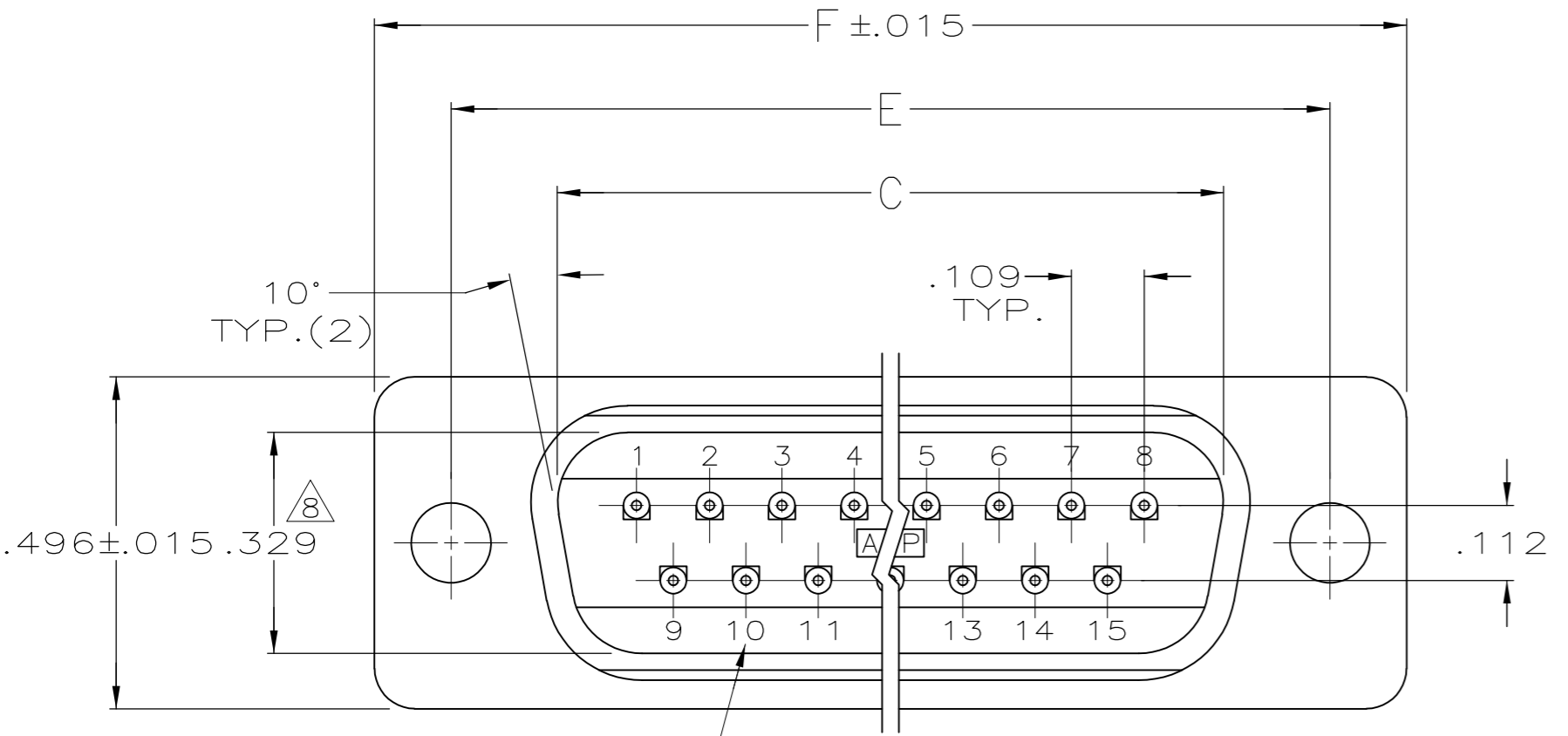
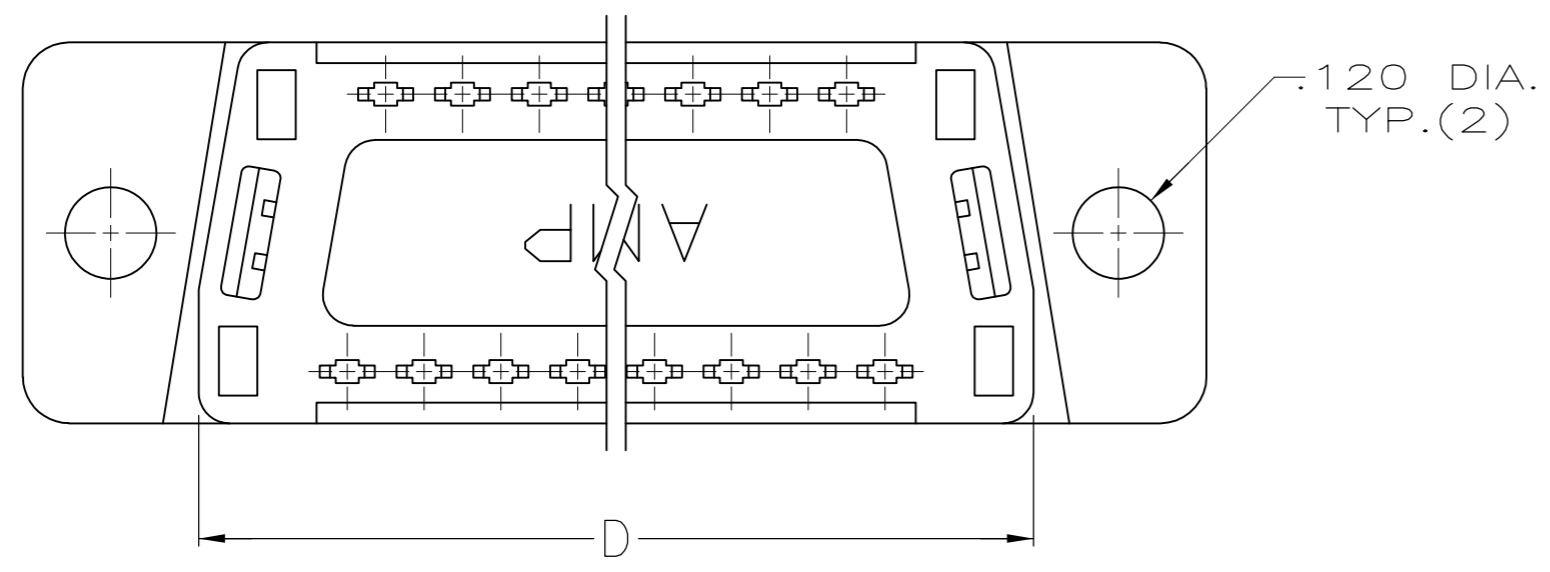
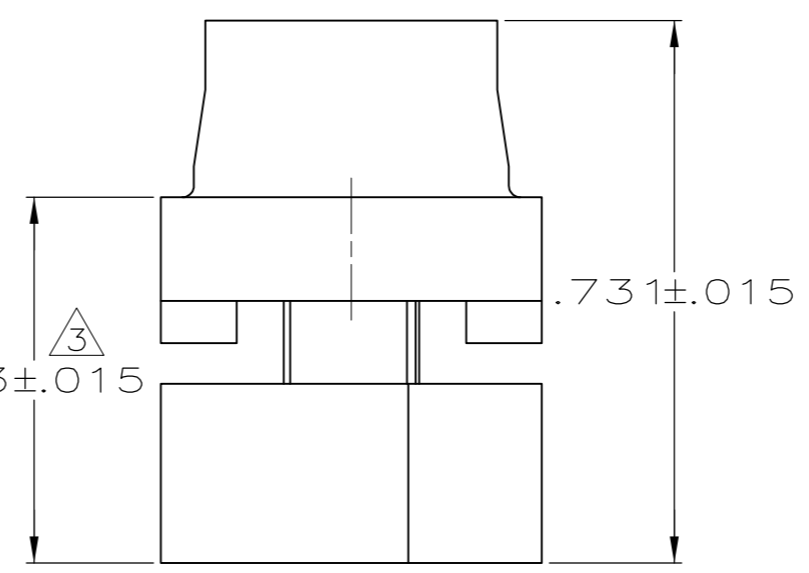
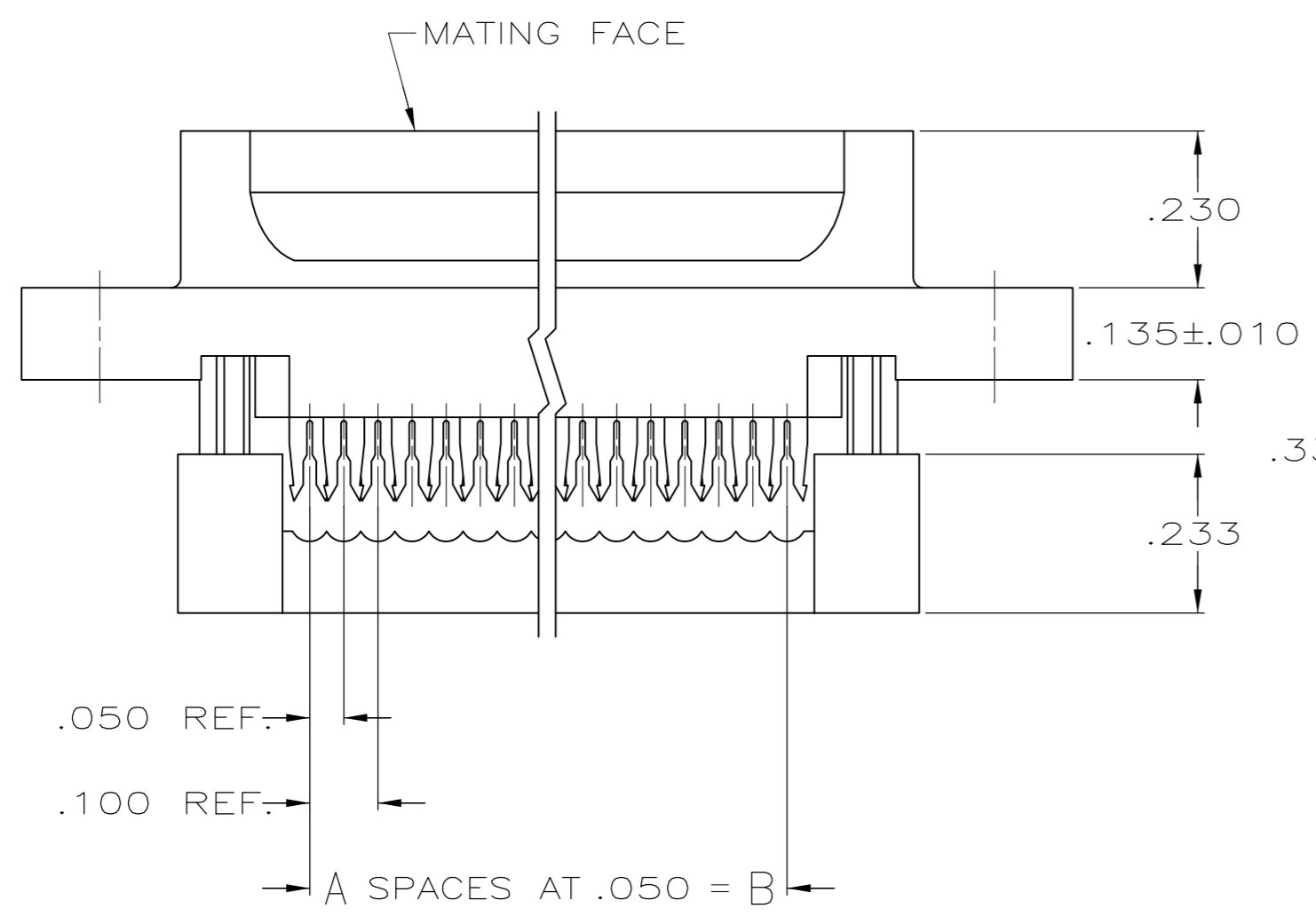


THIS DRAWING IS UNPUBLISHED. RELEASED FOR PUBLICATION  
 © COPYRIGHT - By - ALL RIGHTS RESERVED.

| LOC |     | DIST        |                           | REVISIONS |      |     |  |
|-----|-----|-------------|---------------------------|-----------|------|-----|--|
| P   | LTR | DESCRIPTION | DATE                      | DWN       | APVD |     |  |
| GP  | 00  | B1          | REVISED PER ECO-11-004835 | 11MAR11   | RK   | HMR |  |



RAISED CAVITY IDENTIFICATION  
(15 POSITION SHOWN)



- CONNECTORS COMPLY WITH AMP SPEC. 108-40,012 AND MATE WITH ANY SAME NUMBER POSITION RECEPTACLE CONNECTOR IN AMPLIMITE SERIES.
- CONNECTOR DESIGNED FOR 28 AND 26 AWG STRANDED AND SOLID CONDUCTOR RIBBON CABLE ON .050  $\phi$ .
- DIMENSION APPLIES TO TERMINATED CONNECTOR.
- MOLDED PARTS: FLAME RETARDANT 94V-0 RATED THERMOPLASTIC; COLOR: BLACK.
- CONTACTS: PHOS. BRONZE PER QQ-B-750.
- GOLD PLATING PER MIL-G-45204, TIN PLATING PER MIL-T-10727, NICKEL PLATING PER QQ-N-290.
- CONTACTS:  
 .000030 GOLD ON MATING END, .000100-.000200 MATTE TIN ON TERMINATION END, ALL OVER .000050 NICKEL ON ENTIRE CONTACT.  
 OR  
 GOLD FLASH OVER PALLADIUM-NICKEL ON MATING END, .000030 MIN TOTAL, .000100-.000200 MATTE TIN ON TERMINATION END, ALL OVER .000050 NICKEL ON ENTIRE CONTACT.
- DIMENSION APPLIES TO BASE OF SHROUD.

| 1.216 | .984  | .759  | .666  | .400  | 8  | 9          | 1658615-4   |
|-------|-------|-------|-------|-------|----|------------|-------------|
| 1.541 | 1.312 | 1.087 | .994  | .700  | 14 | 15         | 1658615-3   |
| 2.090 | 1.852 | 1.623 | 1.534 | 1.200 | 24 | 25         | 1658615-2   |
| 2.732 | 2.500 | 2.275 | 2.183 | 1.800 | 36 | 37         | 1658615-1   |
| F     | E     | D     | C     | B     | A  | NO.OF POS. | PART NUMBER |

THIS DRAWING IS A CONTROLLED DOCUMENT.

|             |   |         |        |                 |            |               |
|-------------|---|---------|--------|-----------------|------------|---------------|
| DWN         | L. BAUM   | 6/13/03 |        | TE Connectivity |            |               |
| CHK         | C. ROHDE  | 6/13/03 |        |                 |            |               |
| APVD        | M. WALMSLEY   | 6/13/03 |        |                 |            |               |
| NAME        | PLUG ASSEMBLY, LEAD-FREE, AMPLIMITE HDF   |         |        |                 |            |               |
| DIMENSIONS: | TOLERANCES UNLESS OTHERWISE SPECIFIED:  |         | SIZE   | CAGE CODE       | DRAWING NO | RESTRICTED TO |
| INCHES      | 0 PLC ± -<br>1 PLC ± -<br>2 PLC ± -<br>3 PLC ± .005<br>4 PLC ± -<br>ANGLES ± 2° |         | A2     | 00779           | C=1658615  | -             |
| MATERIAL    | FINISH  |         | WEIGHT | SCALE           |            | SHEET         |
|             |   |         | -      | 4:1             | 1 OF 1     | REV B1        |

CUSTOMER DRAWING

## X-ON Electronics

Largest Supplier of Electrical and Electronic Components

*Click to view similar products for [D-Sub Standard Connectors](#) category:*

*Click to view products by [TE Connectivity](#) manufacturer:*

Other Similar products are found below :

[56F711-015](#) [012-9507-004](#) [LV242999-142T12](#) [015-0341-000](#) [015-0349-000](#) [015-0372-005](#) [015-0372-008](#) [015-8755-001](#) [020419-0104](#) [012-0467-000](#) [012-0515-000](#) [012-9507-034](#) [012-9507-114](#) [020745-0008](#) [609-25P](#) [CT2-14S-2PCA34](#) [CT2-18-11PCAU](#) [CT2-36-15SC](#) [CT6-14S-2SC](#) [CT6E14SA7SC](#) [CT6E22-14PC](#) [CT6E22-14PS](#) [CT6E22-22PS](#) [M83513/01-FC](#) [M85049/48-3-2F](#) [6STD09PCM99B70X](#) [6STD09SCM99B30X](#) [6STD09SCT99S40X](#) [6STD15PCT99S40X](#) [6STD15SCM99B30X](#) [6STD15SCT99S40X](#) [6STF09PCM05B70X](#) [7-135760-9](#) [MC11E-10-6SN](#) [747552-3](#) [MD1-21PS](#) [MDM-15SCBRM7-F222](#) [MDM96517-699](#) [MDM96521-744](#) [MDVB1-21SL1](#) [MIK0-1-7SH003](#) [MIKQ6-7SH076](#) [MIKQ7-7PH077](#) [MIKQ7-7PH11](#) [MIKQ7-7PH32](#) [MIKQ9-7PH003](#) [MJSV-28SL61](#) [MKJ4A1F14-55S](#) [8-135760-3](#) [8STD09PCM99B30X](#)