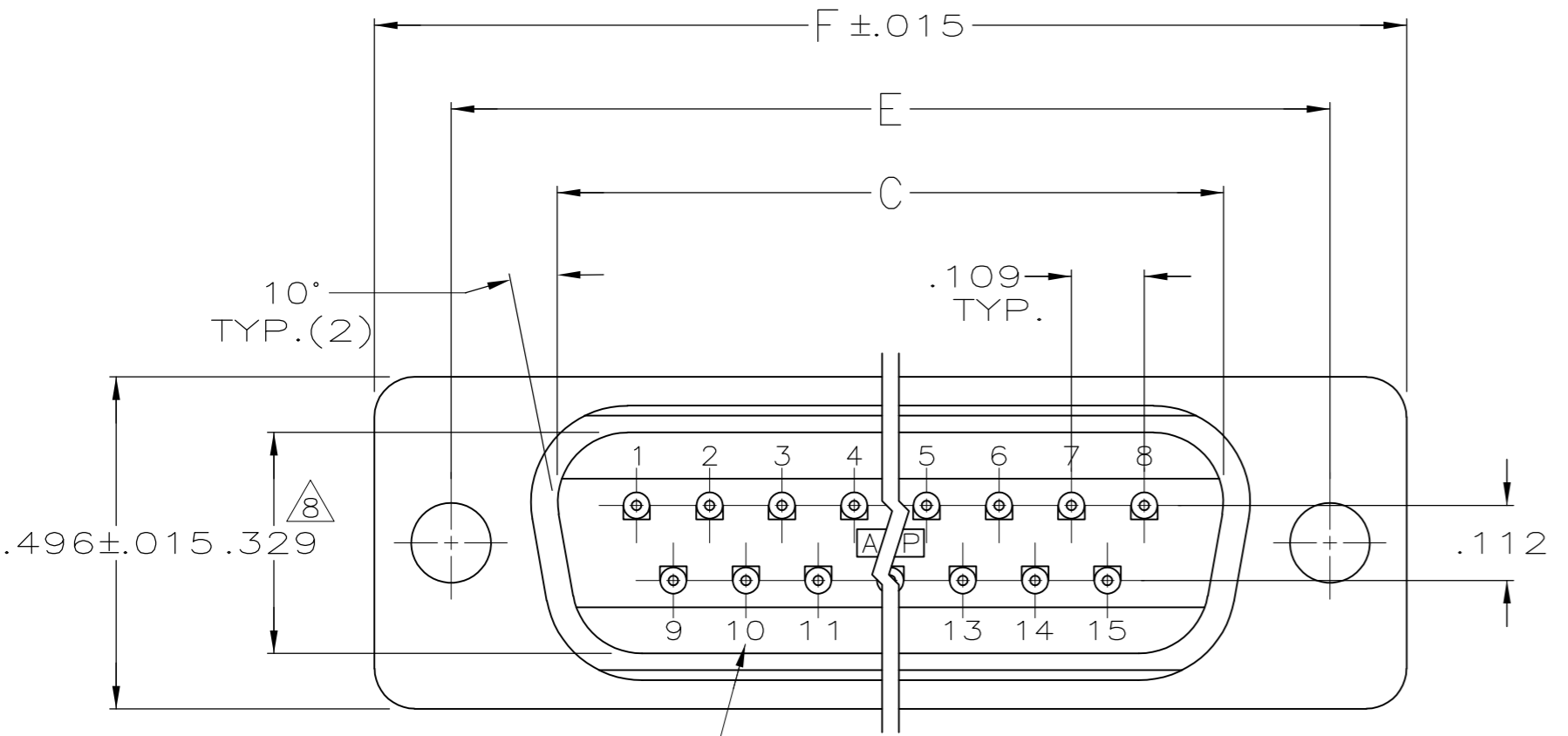
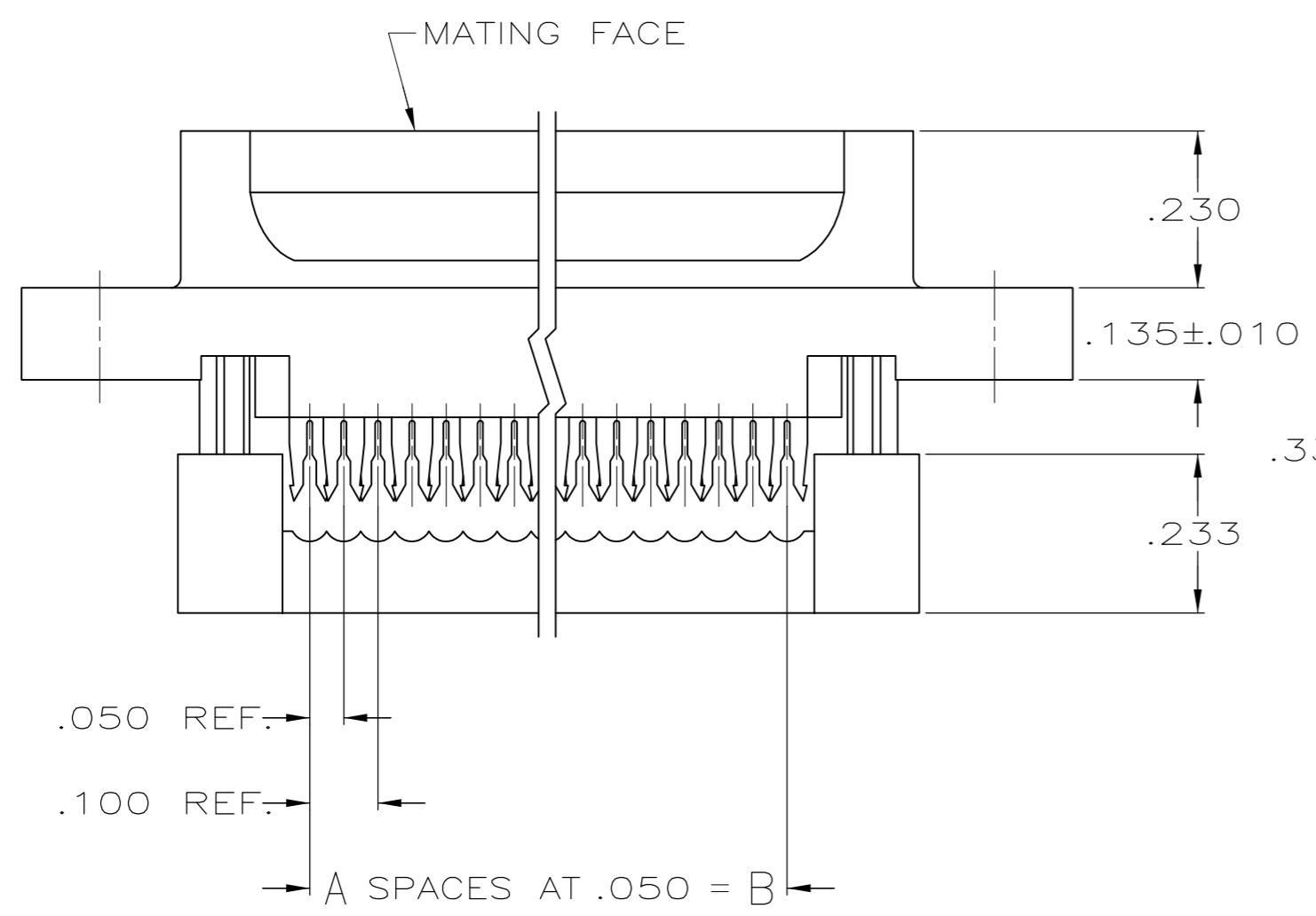


THIS DRAWING IS UNPUBLISHED. RELEASED FOR PUBLICATION
 © COPYRIGHT - By - ALL RIGHTS RESERVED.

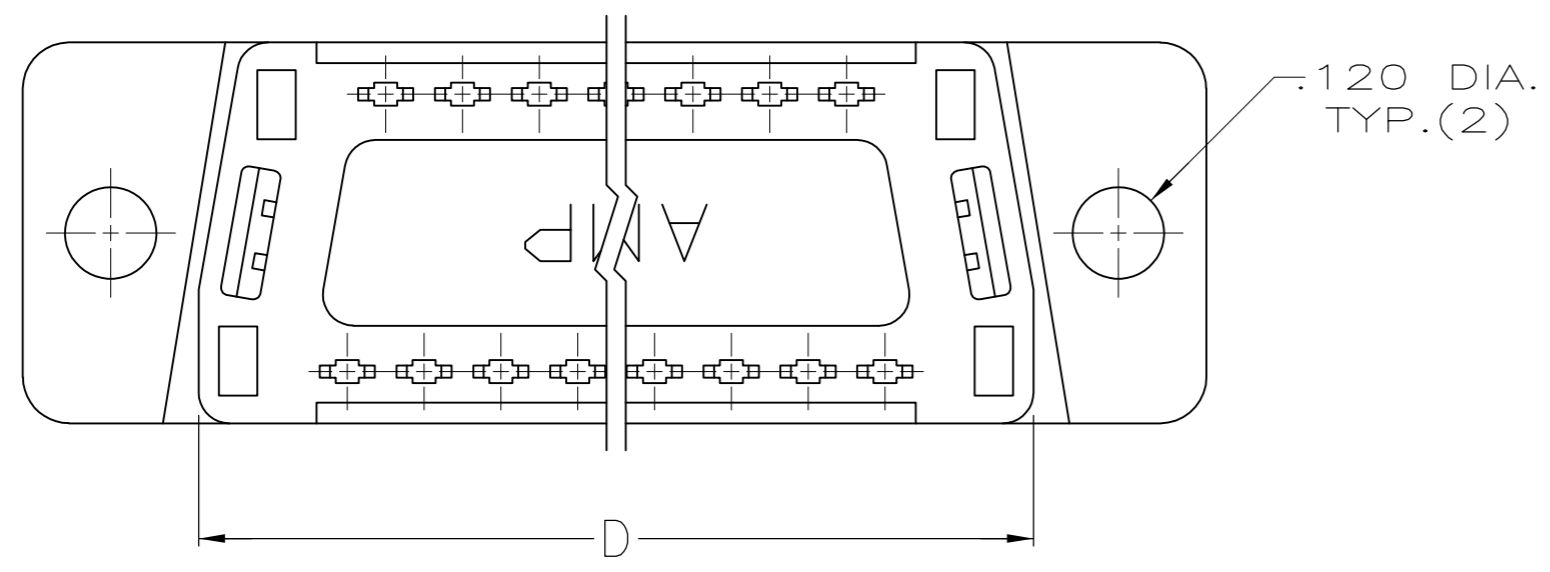
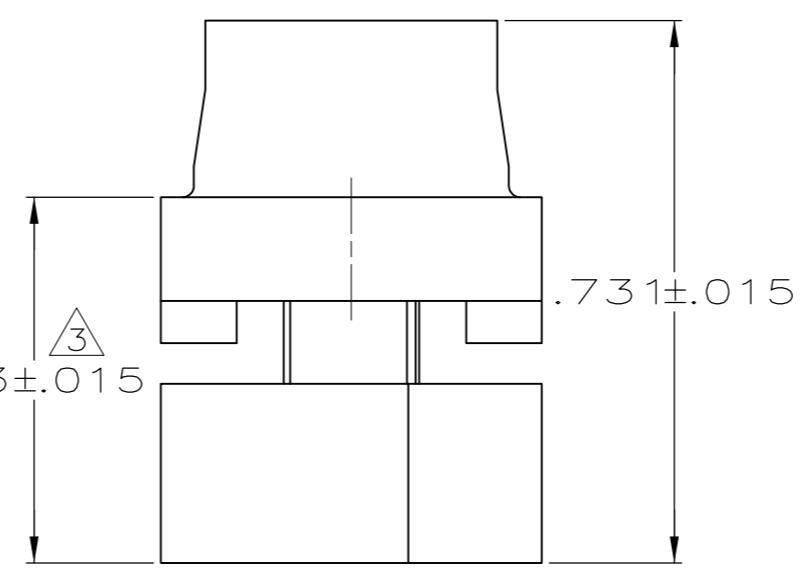
| LOC | | DIST | | REVISIONS | | | |
|-----|-----|---------------------------|---------|-----------|------|--|--|
| P | LTR | DESCRIPTION | DATE | DWN | APVD | | |
| B1 | | REVISED PER ECO-11-004835 | 11MAR11 | RK | HMR | | |



RAISED CAVITY IDENTIFICATION
(15 POSITION SHOWN)



.050 REF.
 .100 REF.
 A SPACES AT .050 = B



- CONNECTORS COMPLY WITH AMP SPEC. 108-40,012 AND MATE WITH ANY SAME NUMBER POSITION RECEPTACLE CONNECTOR IN AMPLIMITE SERIES.
- CONNECTOR DESIGNED FOR 28 AND 26 AWG STRANDED AND SOLID CONDUCTOR RIBBON CABLE ON .050 ϕ .
- DIMENSION APPLIES TO TERMINATED CONNECTOR.
- MOLDED PARTS: FLAME RETARDANT 94V-0 RATED THERMOPLASTIC; COLOR: BLACK.
- CONTACTS: PHOS. BRONZE PER QQ-B-750.
- GOLD PLATING PER MIL-G-45204, TIN PLATING PER MIL-T-10727, NICKEL PLATING PER QQ-N-290.
- CONTACTS:
 .000030 GOLD ON MATING END, .000100-.000200 MATTE TIN ON TERMINATION END, ALL OVER .000050 NICKEL ON ENTIRE CONTACT.
 OR
 GOLD FLASH OVER PALLADIUM-NICKEL ON MATING END, .000030 MIN TOTAL, .000100-.000200 MATTE TIN ON TERMINATION END, ALL OVER .000050 NICKEL ON ENTIRE CONTACT.
- DIMENSION APPLIES TO BASE OF SHROUD.

| 1.216 | .984 | .759 | .666 | .400 | 8 | 9 | 1658615-4 |
|-------|-------|-------|-------|-------|----|------------|-------------|
| 1.541 | 1.312 | 1.087 | .994 | .700 | 14 | 15 | 1658615-3 |
| 2.090 | 1.852 | 1.623 | 1.534 | 1.200 | 24 | 25 | 1658615-2 |
| 2.732 | 2.500 | 2.275 | 2.183 | 1.800 | 36 | 37 | 1658615-1 |
| F | E | D | C | B | A | NO.OF POS. | PART NUMBER |

THIS DRAWING IS A CONTROLLED DOCUMENT.

| | | | | | | |
|-------------|---|------------------|-----------|-----------------|--------------|---------------|
| DWN | L. BAUM | 6/13/03 | | TE Connectivity | | |
| CHK | C. ROHDE | 6/13/03 | | | | |
| APVD | M. WALMSLEY | 6/13/03 | | | | |
| NAME | PLUG ASSEMBLY, LEAD-FREE, AMPLIMITE HDF | | | | | |
| DIMENSIONS: | TOLERANCES UNLESS OTHERWISE SPECIFIED: | PRODUCT SPEC | SIZE | CAGE CODE | DRAWING NO | RESTRICTED TO |
| INCHES | 0 PLC ± - | APPLICATION SPEC | A2 | 00779 | C=1658615 | - |
| | 1 PLC ± - | WEIGHT | SCALE 4:1 | | SHEET 1 of 1 | REV B1 |
| | 2 PLC ± - | CUSTOMER DRAWING | | | | |
| | 3 PLC ± .005 | | | | | |
| | 4 PLC ± - | | | | | |
| | ANGLES ± 2° | | | | | |
| MATERIAL | FINISH | | | | | |
| | | | | | | |

X-ON Electronics

Largest Supplier of Electrical and Electronic Components

Click to view similar products for [D-Sub Standard Connectors](#) category:

Click to view products by [TE Connectivity](#) manufacturer:

Other Similar products are found below :

[56F711-015](#) [012-9507-004](#) [LV242999-142T12](#) [015-0341-000](#) [015-0372-005](#) [015-0372-008](#) [015-8755-001](#) [020419-0104](#) [012-0467-000](#) [012-0515-000](#) [012-9507-034](#) [012-9507-114](#) [020745-0008](#) [609-25P](#) [M24308/2-23Z](#) [CT2-14S-2PCA34](#) [CT2-18-11PCAU](#) [CT6-10SL-3SC](#) [CT6-10SL-4SC](#) [CT6-14S-2SC](#) [CT6E14SA7SC](#) [M83513/01-FC](#) [M83723/76W24619 L/C](#) [M85049/48-3-2F](#) [6STD09PCM99B70X](#) [6STD09SCM99B30X](#) [6STD09SCT99S40X](#) [6STD15PCT99S40X](#) [6STD15SCM99B30X](#) [6STD15SCT99S40X](#) [6STF09PCM05B70X](#) [7-135760-9](#) [MC11E-10-6SN](#) [747552-3](#) [MD1-21PS](#) [MDM-15SCBRM7-F222](#) [MDM96517-699](#) [MDM96521-744](#) [MDVB1-21SL1](#) [MIK0-1-7SH003](#) [MIKQ6-7SH076](#) [MIKQ7-7PH077](#) [MIKQ7-7PH11](#) [MIKQ7-7PH32](#) [MJSV-28SL61](#) [MKJ4A1F14-55S](#) [8-135760-3](#) [8STD09PCM99B30X](#) [PG-KV/PV-16-GROM-SEALING](#) [GDA15P](#)