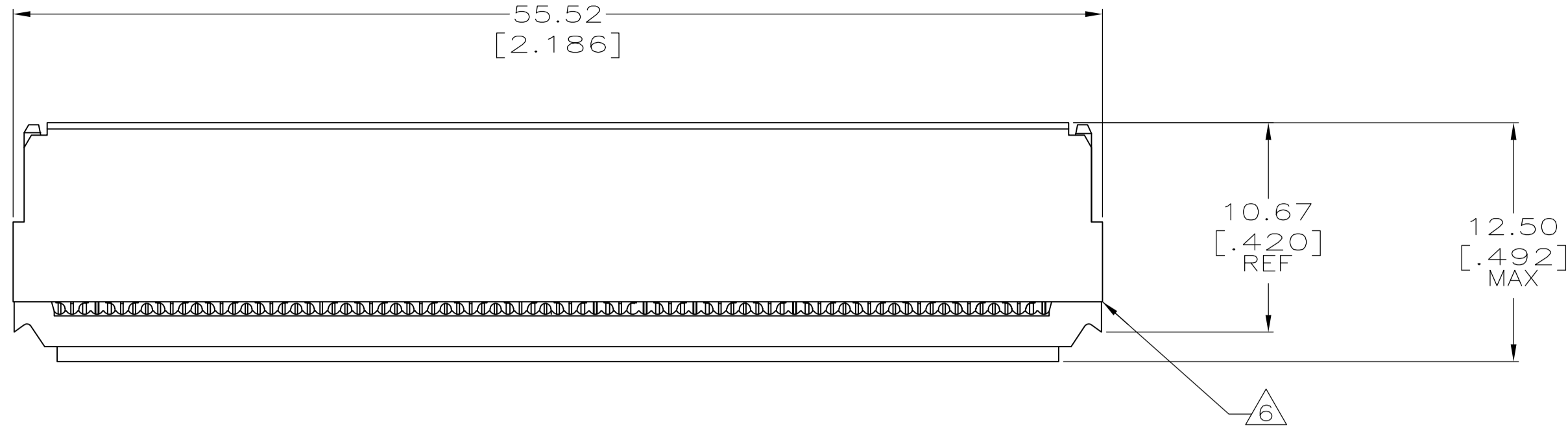
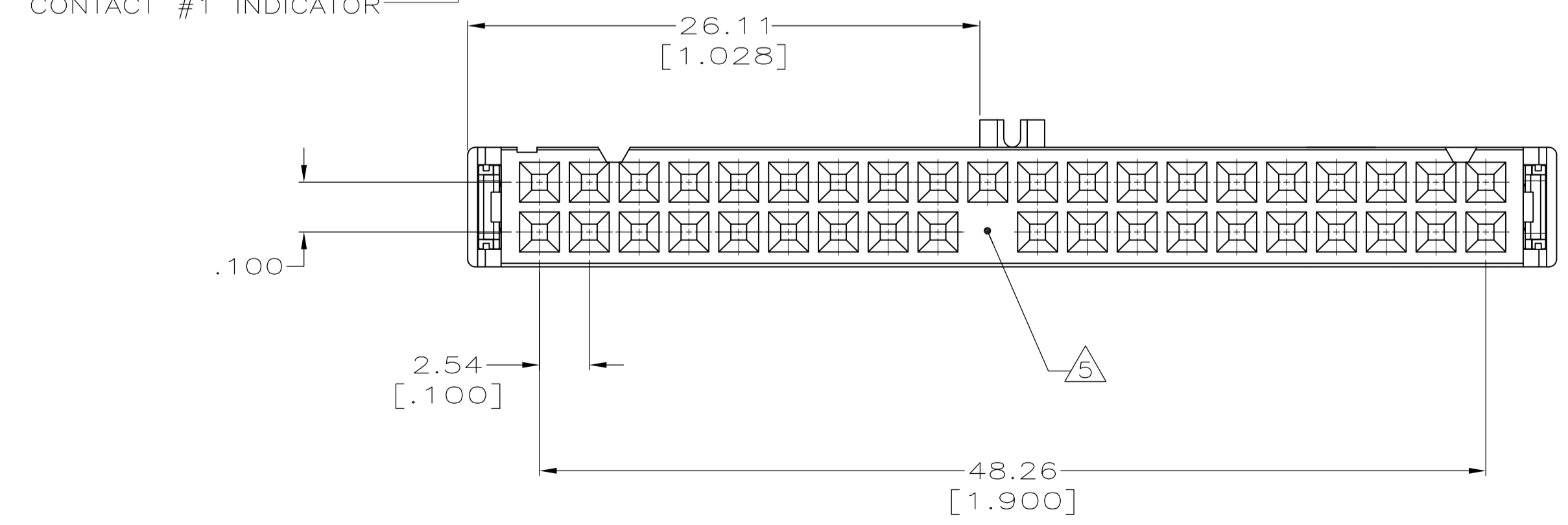
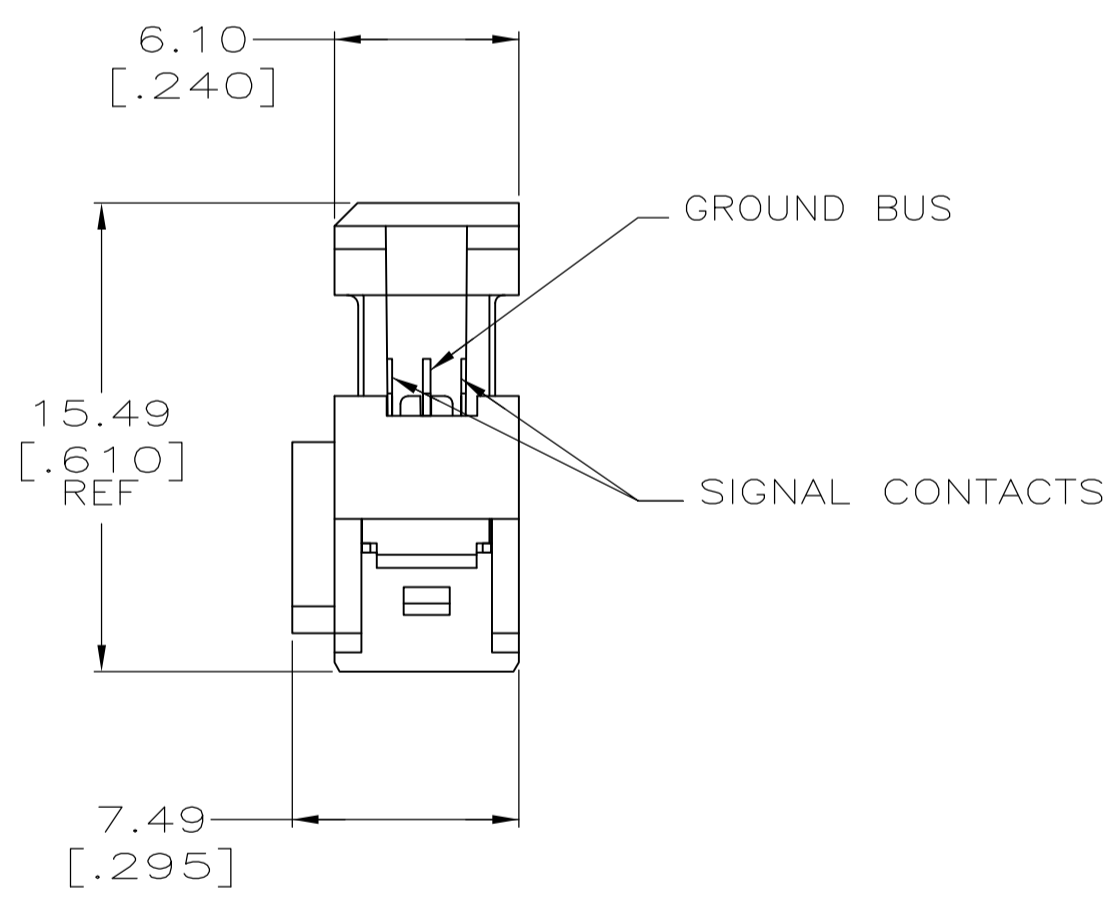
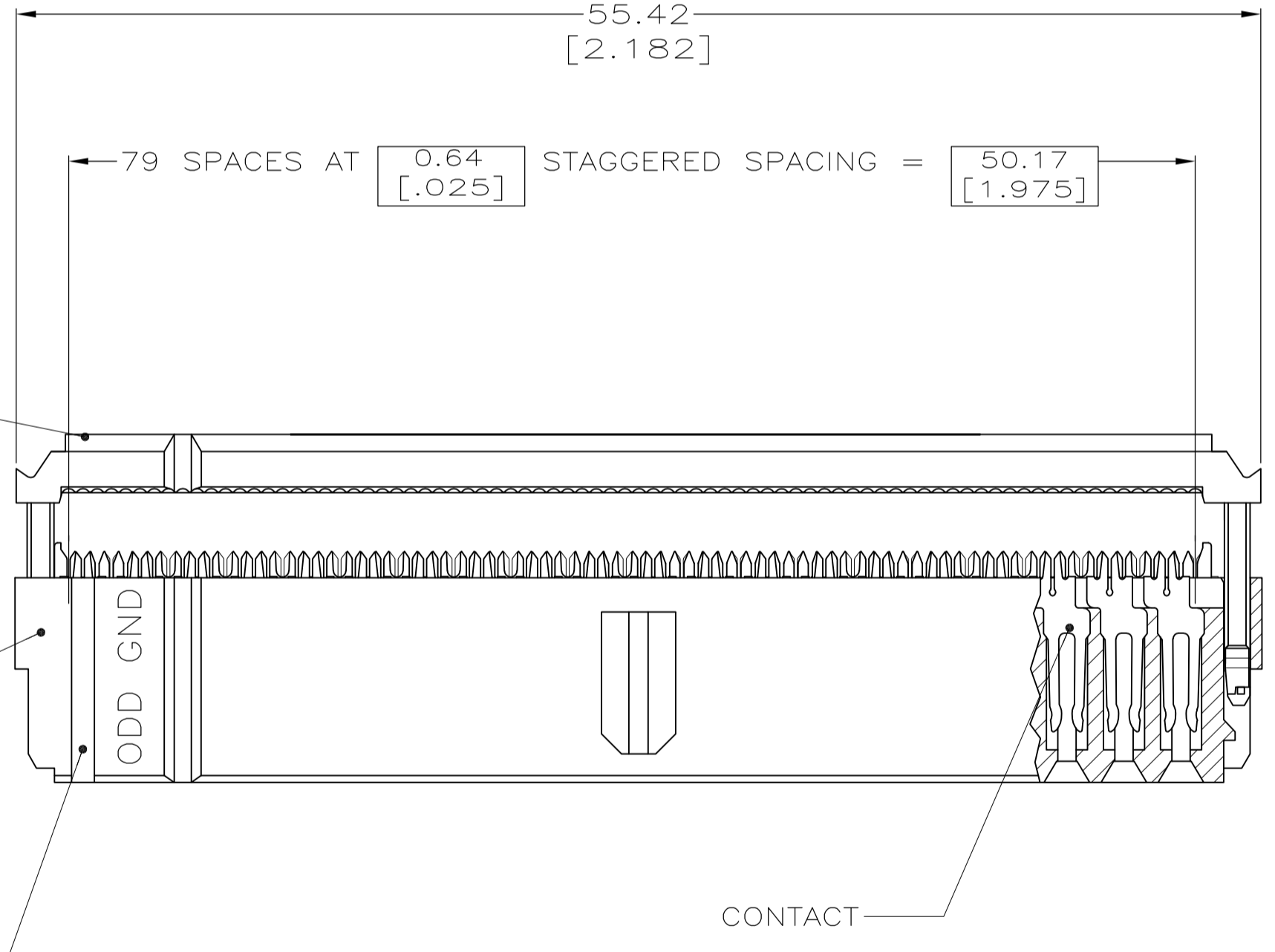
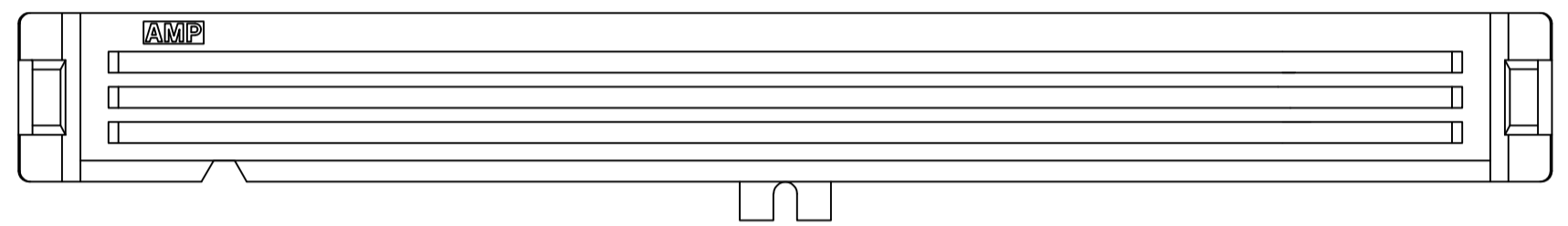


REVISIONS				
P	LTR	DESCRIPTION	DATE	OWN
B		OBSOLETE PER ECO-17-004610	07APR2017	I.T W.H



TERMINATED VIEW



- 1. HOUSING: THERMOPLASTIC, UL 94V-0 RATED, SEE TABLE. COVER: THERMOPLASTIC, UL 94V-0 RATED, BLACK. CONTACTS: PHOSPHOR BRONZE PER QQ-B-750.
- 2. CONTACTS: 0.38µm[.000015] MIN GOLD ON MATING END, 1.27µm[.000050] MIN TIN ON TERMINATION END, ALL OVER 1.27µm[.000050] MIN NICKEL ON ENTIRE CONTACT. GROUND BUS: 2.54µm[.000100] MIN TIN OVER 1.27µm[.000050] MIN NICKEL ON ENTIRE GROUND BUS.
- 3. CONTACT 34 GROUNDED.
- 4. NO CONTACT AT POSITION 28.
- 5. MOLDED KEYING AT CONTACT 20.
- 6. NO GAP ALLOWED BETWEEN COVER AND HOUSING AT TERMINATION. .012 MAX GAP AT ANY OTHER TIME AFTER TERMINATION.
- 7. ALL ODD CABLE CONDUCTORS TERMINATE DIRECTLY TO THE GROUND BUS IN ALL CONNECTORS.
- 8. ALL EVEN CABLE CONDUCTORS TERMINATE TO CONNECTOR CONTACT NUMBERS USING THE FOLLOWING FORMULA: CABLE CONDUCTOR "X" TERMINATES TO CONNECTOR CONTACT NUMBER X/2. EXAMPLE: CABLE CONDUCTOR 46 TERMINATES TO CONNECTOR CONTACT NUMBER 23 (46/2).
- 9. EXCEPTIONS TO NOTE 8 AND DIFFERENCES BETWEEN CONNECTORS ARE SHOWN IN THE TABLE BELOW.
- 10. CONTACTS: 0.38µm[.000015] MIN GOLD ON MATING END, GOLD FLASH ON TERMINATION END, ALL OVER 1.27µm[.000050] MIN NICKEL ON ENTIRE CONTACT. GROUND BUS: GOLD FLASH OVER 1.27µm[.000050] MIN NICKEL ON ENTIRE GROUND BUS.

CABLE CONDUCTOR #	CABLE CONDUCTOR # SHOWN CONNECTS TO:		
	BLUE CONNECTOR CONTACT #	BLACK CONNECTOR CONTACT #	GRAY CONNECTOR CONTACT #
4	2 & GROUND BUS	2 & GROUND BUS	2 & GROUND BUS
38	19 & GROUND BUS	19 & GROUND BUS	19 & GROUND BUS
44	22 & GROUND BUS	22 & GROUND BUS	22 & GROUND BUS
48	24 & GROUND BUS	24 & GROUND BUS	24 & GROUND BUS
52	26 & GROUND BUS	26 & GROUND BUS	26 & GROUND BUS
56	28	28	NC (OPEN)
60	30 & GROUND BUS	30 & GROUND BUS	30 & GROUND BUS
68	34 & GROUND BUS	34	34
80	40 & GROUND BUS	40 & GROUND BUS	40 & GROUND BUS

OBSOLETE	10	DEVICE(1) SLAVE	GRAY	1658619-6
OBSOLETE	11	SYSTEMS BOARD	BLUE	1658619-5
OBSOLETE	12	DEVICE(O) PRIMARY	BLACK	1658619-4
OBSOLETE	13	DEVICE(1) SLAVE	GRAY	1658619-3
OBSOLETE	14	SYSTEMS BOARD	BLUE	1658619-2
OBSOLETE	15	DEVICE(O) PRIMARY	BLACK	1658619-1

FINISH	CONNECTOR TYPE	HOUSING COLOR	PART NUMBER
SEE TABLE			

THIS DRAWING IS A CONTROLLED DOCUMENT.		DIN R SAMICK 22AUG03	TE Connectivity	
DIMENSIONS: mm [INCHES]		CHK C. RÖHDE 22AUG03		
TOLERANCES UNLESS OTHERWISE SPECIFIED:		APPRO M. WALMSLEY 22AUG03	NAME RECEPTACLE ASSY LEAD FREE, AMP-LATCH™ ULTRA NOVO	
0 PLC ± -	1 PLC ± -	PRODUCT SPEC 108-1740	SIZE CAGE CODE DRAWING NO	
2 PLC ± 0.08 [INCHES]	3 PLC ± -	APPLICATION SPEC 114-40056	RESTRICTED TO	
4 PLC ± -	ANGLES ± -	WEIGHT 0.000000	A1 00779 C=1658619	
MATERIAL FINISH SEE TABLE		CUSTOMER DRAWING	SCALE 4:1 SHEET 1 OF 1 REV B	

X-ON Electronics

Largest Supplier of Electrical and Electronic Components

Click to view similar products for [Headers & Wire Housings](#) category:

Click to view products by [TE Connectivity](#) manufacturer:

Other Similar products are found below :

[892-18-020-10-001101](#) [58102-G61-06LF](#) [582553-1](#) [0009485154](#) [009176003701906](#) [0050291907](#) [LY20-4P-DT1-P1E-BR](#) [02.125.8002.8](#)
[609-3404](#) [61062-3](#) [61082-181009](#) [622-3653LF](#) [63453-116](#) [636-1030](#) [636-1427](#) [636-3427](#) [636-4007](#) [641938-9](#) [641991-4](#) [644827-2](#) [65817-](#)
[010LF](#) [65817-015LF](#) [65863-015LF](#) [66207-023LF](#) [67095-007LF](#) [67601157](#) [68645-018](#) [68648-049](#) [70.362.1628.0](#) [70-4210](#) [70-4226B](#) [70-](#)
[4853B](#) [707-5020](#) [707-5028](#) [71.350.2428.0](#) [71918-208LF](#) [71961-016LF](#) [733-134](#) [733-162](#) [754199-000](#) [760-3052](#) [79531-3000](#) [FCN-](#)
[360C032-B](#) [FCN-367T-T012/H](#) [FCN-723D010/2](#) [80.063.4001.1](#) [800-90-010-10-002000](#) [801-43-002-10-013000](#) [801-43-006-10-002000](#)
[801-93-011-10-001000](#)