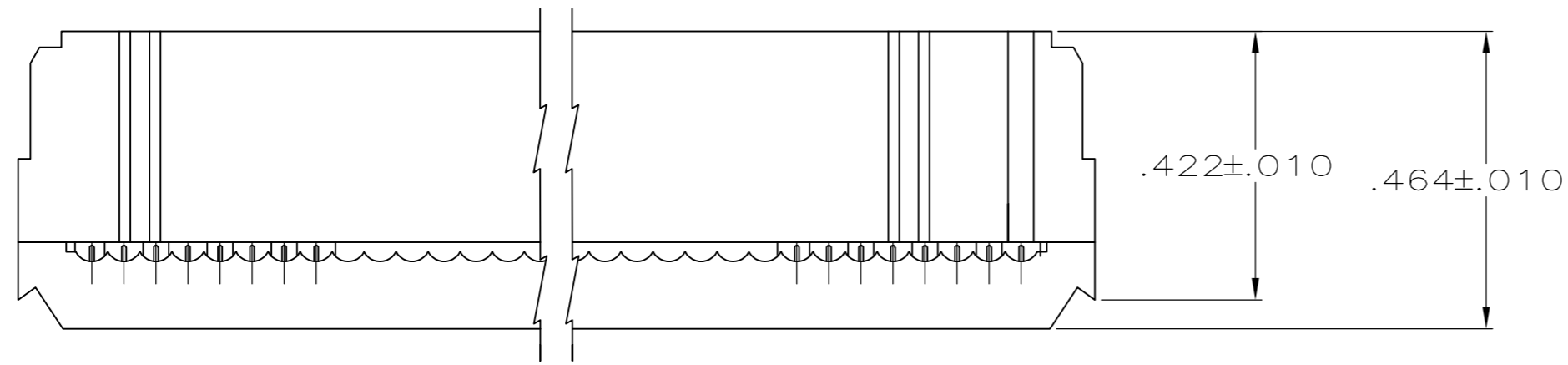
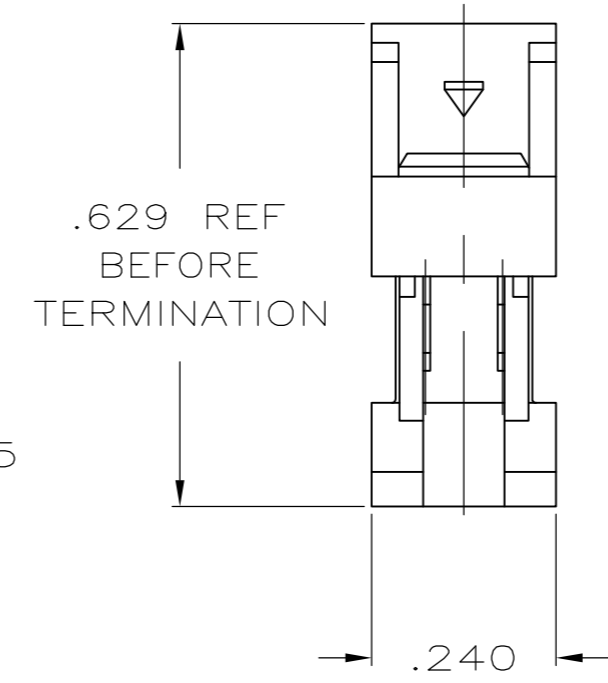
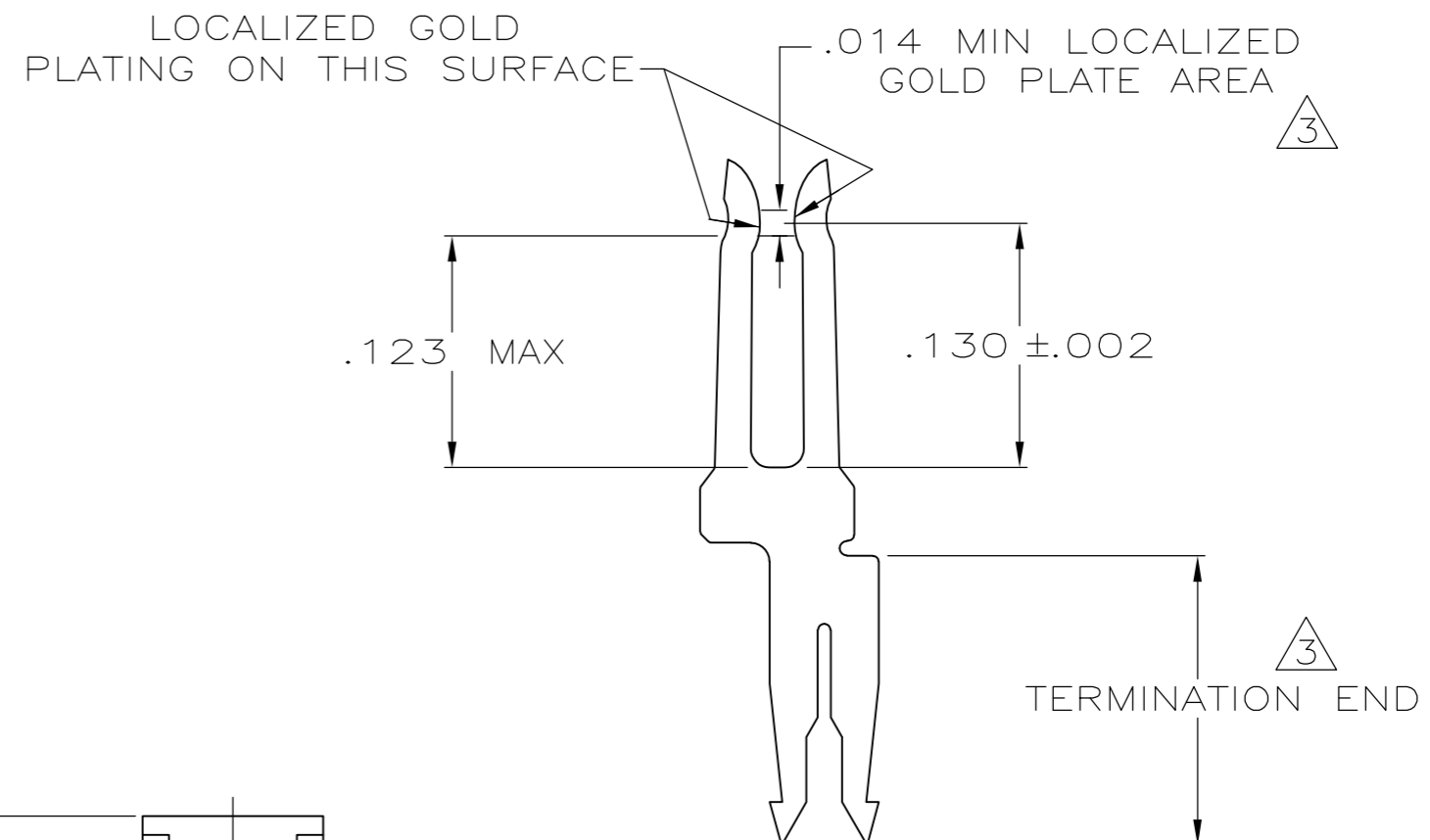
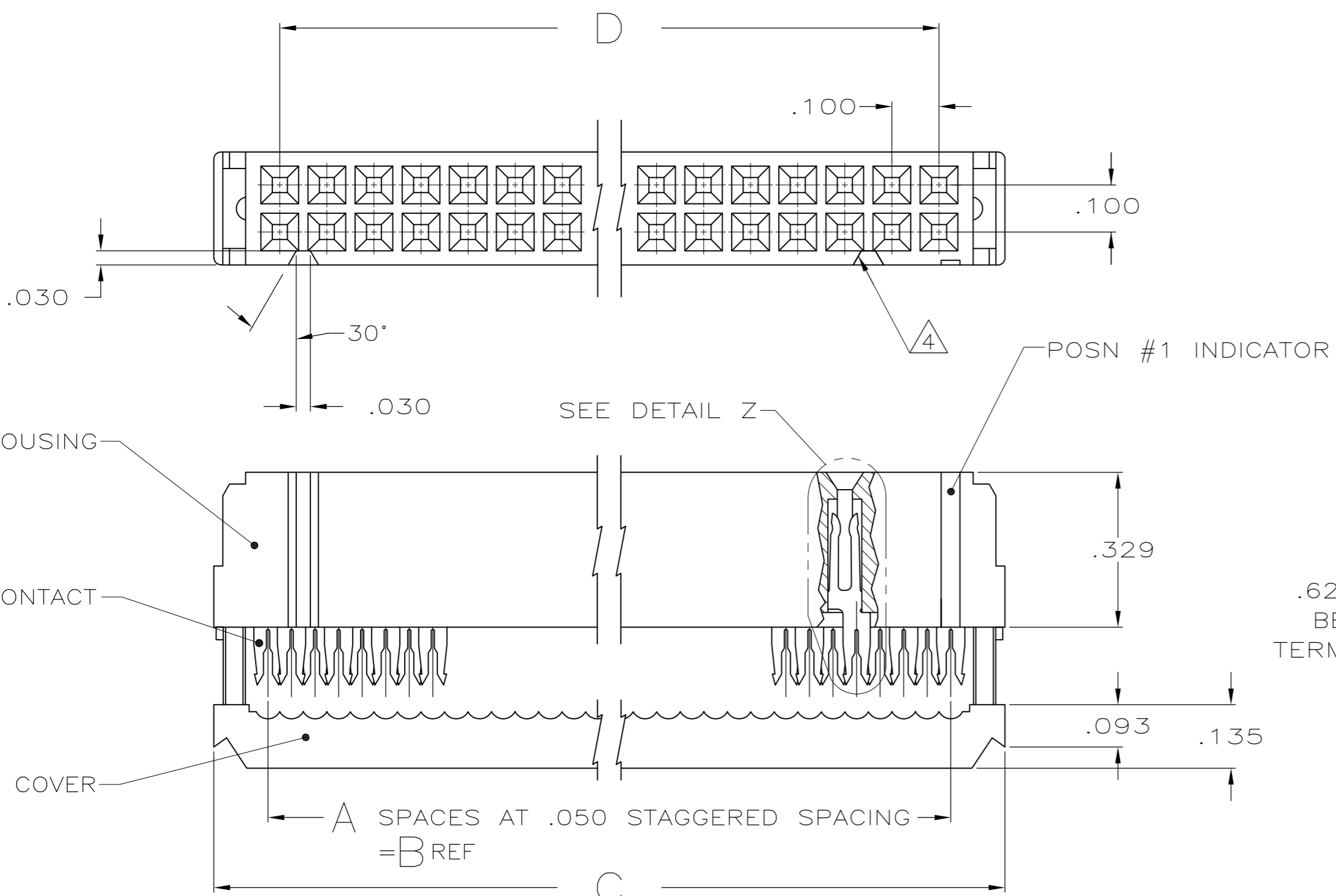


THIS DRAWING IS UNPUBLISHED. RELEASED FOR PUBLICATION
 © COPYRIGHT - By - ALL RIGHTS RESERVED.

LOC		DIST		REVISIONS			
P	LTR	DESCRIPTION		DATE	DWN	APVD	
GP	00	D1	REVISED PER ECO-11-004835		11MAR11	RK	HMR



- 1 UL RATED 94V-0 THERMOPLASTIC, COLOR: BLACK.
- 2 PHOSPHOR BRONZE PER QQ-B-750.
- 3 PLATED WITH .000015 MIN GOLD IN LOCALIZED GOLD PLATE AREA, .000050 MIN TIN ON TERMINATION END, ALL OVER .000050 MIN NICKEL ON ENTIRE CONTACT.
OR
GOLD FLASH OVER PALLADIUM-NICKEL PLATE .000015 MIN TOTAL IN LOCALIZED GOLD PLATE AREA, .000050 MIN TIN ON TERMINATION END, ALL OVER .000050 MIN NICKEL ON ENTIRE CONTACT.
- 4 POLARIZING FEATURE DOES NOT EXIST ON SAME END AS THE POSN #1 INDICATOR ON 10 AND 14 POSN PRODUCT.



DETAIL Z
SCALE 10:1
TYPICAL

	D	C	B	A	NO OF POSN	PART NUMBER
OBSOLETE	3.100	3.380	3.150	63	64	1-1658620-2
	2.900	3.180	2.950	59	60	1-1658620-1
	2.400	2.680	2.450	49	50	1-1658620-0
	1.900	2.180	1.950	39	40	1658620-9
	1.600	1.880	1.650	33	34	1658620-8
	1.400	1.680	1.450	29	30	1658620-7
	1.200	1.480	1.250	25	26	1658620-6
	.900	1.180	.950	19	20	1658620-4
	.700	.980	.750	15	16	1658620-3
	.600	.880	.650	13	14	1658620-2
	.400	.680	.450	9	10	1658620-1

THIS DRAWING IS A CONTROLLED DOCUMENT.

DIMENSIONS: INCHES	TOLERANCES UNLESS OTHERWISE SPECIFIED:	DWN R. SAMICK 22AUG03	TE Connectivity	
	0 PLC ± -	CHK C. ROHDE 22AUG03	RECEPTACLE ASSY, MILITARY POLARIZATION, LEAD FREE, AMP-LATCH™ NOVO	
	1 PLC ± -	APVD M. WALMSLEY 22AUG03	SIZE A2	CAGE CODE 00779
	2 PLC ± -	PRODUCT SPEC 108-40000	DRAWING NO C=1658620	RESTRICTED TO -
	3 PLC ± .005	APPLICATION SPEC 114-40005	SCALE 4:1	SHEET 1 OF 1
	4 PLC ± -	WEIGHT -	REV D1	
	ANGLES ± 5°	CUSTOMER DRAWING		
MATERIAL	FINISH			

X-ON Electronics

Largest Supplier of Electrical and Electronic Components

Click to view similar products for [Headers & Wire Housings](#) category:

Click to view products by [TE Connectivity](#) manufacturer:

Other Similar products are found below :

[892-18-020-10-001101](#) [58102-G61-06LF](#) [582553-1](#) [0009485154](#) [009176003701906](#) [0050291907](#) [LY20-4P-DT1-P1E-BR](#) [02.125.8002.8](#)
[609-3404](#) [61062-3](#) [61082-181009](#) [622-3653LF](#) [63453-116](#) [636-1030](#) [636-1427](#) [636-3427](#) [636-4007](#) [641938-9](#) [641991-4](#) [644827-2](#) [65817-](#)
[010LF](#) [65817-015LF](#) [65863-015LF](#) [66207-023LF](#) [67095-007LF](#) [67601157](#) [68645-018](#) [68648-049](#) [70.362.1628.0](#) [70-4210](#) [70-4226B](#) [70-](#)
[4853B](#) [707-5020](#) [707-5028](#) [71.350.2428.0](#) [71918-208LF](#) [71961-016LF](#) [733-134](#) [733-162](#) [754199-000](#) [760-3052](#) [79531-3000](#) [FCN-](#)
[360C032-B](#) [FCN-367T-T012/H](#) [FCN-723D010/2](#) [80.063.4001.1](#) [800-90-010-10-002000](#) [801-43-002-10-013000](#) [801-43-006-10-002000](#)
[801-93-011-10-001000](#)