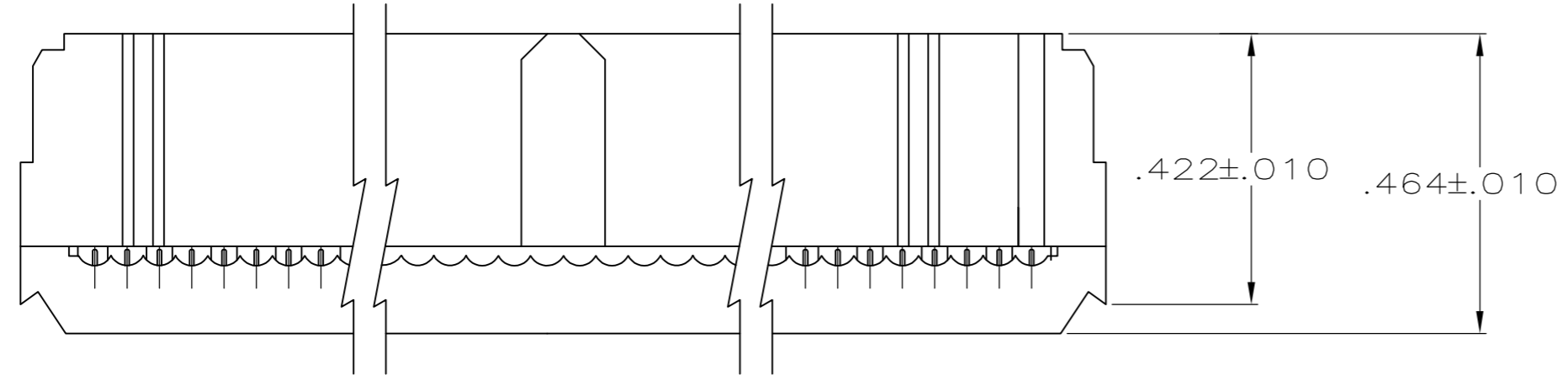


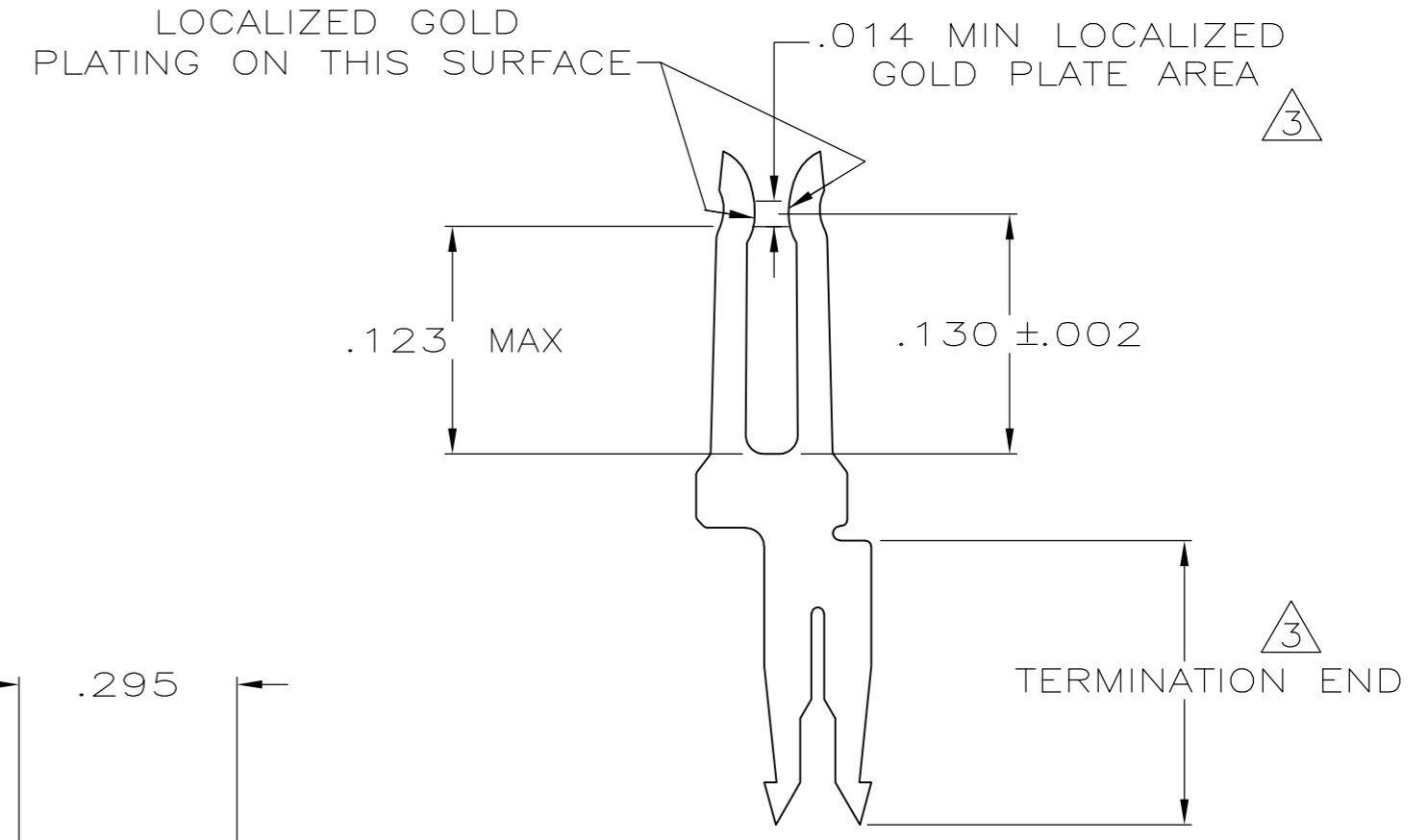
THIS DRAWING IS UNPUBLISHED. RELEASED FOR PUBLICATION
 © COPYRIGHT - By - ALL RIGHTS RESERVED.

LOC		DIST		REVISIONS			
P	LTR	DESCRIPTION		DATE	DWN	APVD	
GP	00	C1	REVISED PER ECO-11-004835		11MAR11	RK	HMR

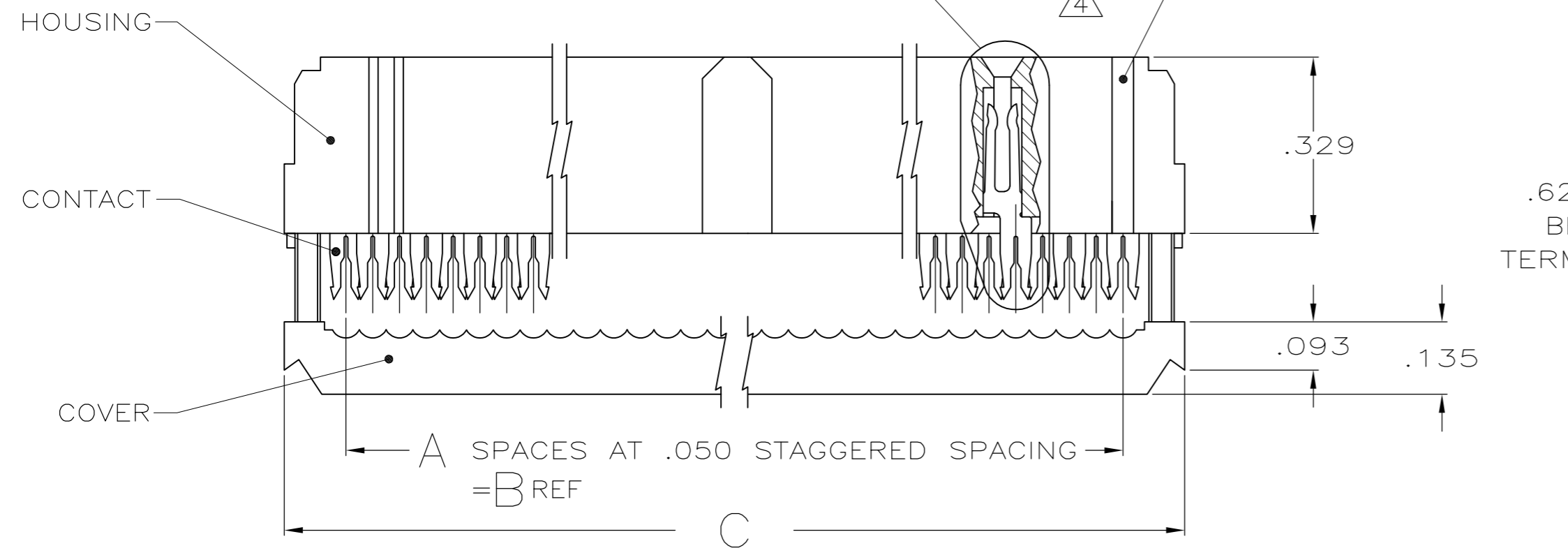
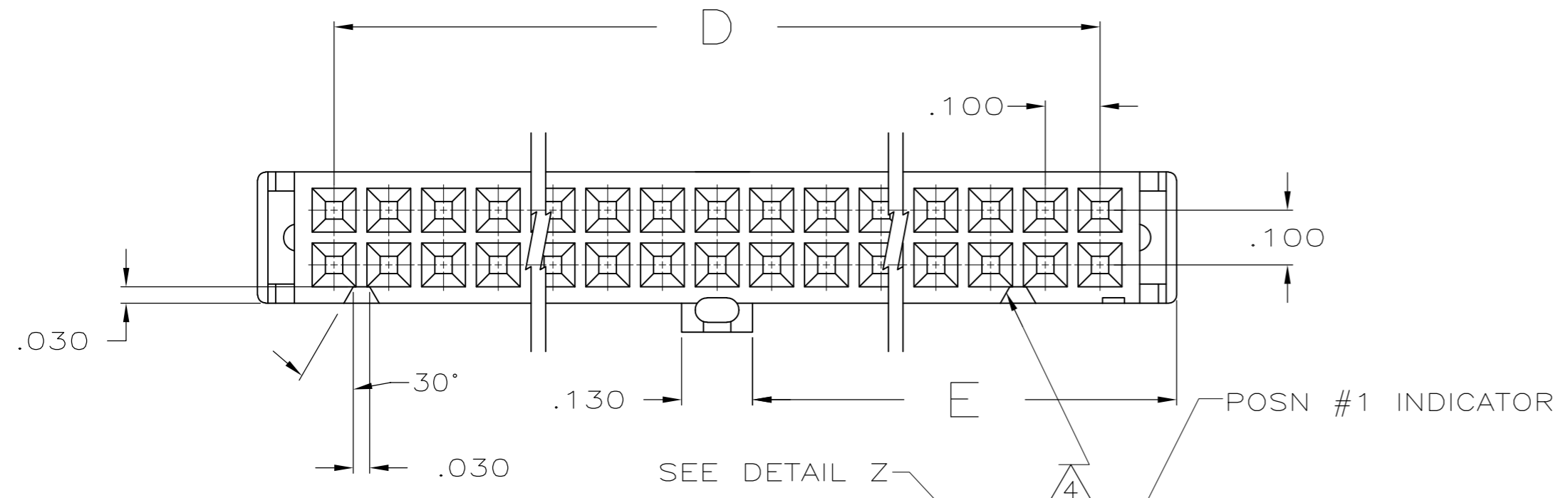
- ① MOLDED PARTS: UL RATED 94V-0 THERMOPLASTIC, BLACK.
- ② CONTACTS: PHOSPHOR BRONZE PER QQ-B-750.
- ③ CONTACTS: PLATED WITH .000015 MIN GOLD IN LOCALIZED GOLD PLATE AREA, .000050 MIN TIN ON TERMINATION END, ALL OVER .000050 MIN NICKEL ON ENTIRE CONTACT.
OR
GOLD FLASH OVER PALLADIUM-NICKEL PLATE .000015 MIN TOTAL IN LOCALIZED GOLD PLATE AREA, .000050 MIN TIN ON TERMINATION END, ALL OVER .000050 MIN NICKEL ON ENTIRE CONTACT.
- ④ POLARIZING FEATURE DOES NOT EXIST ON SAME END AS THE POSITION NUMBER 1 INDICATOR ON 10 AND 14 POSITION PRODUCT.



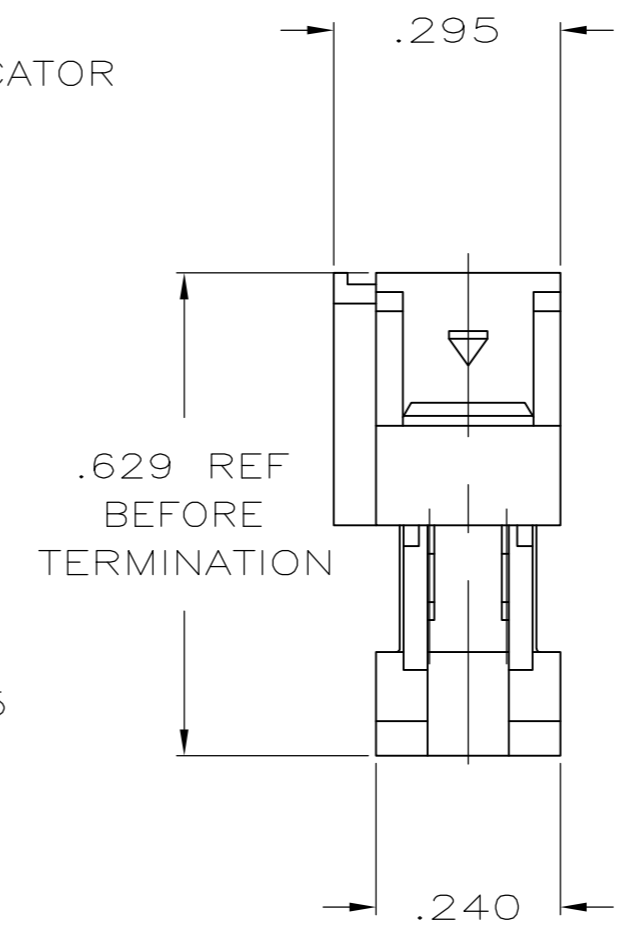
TERMINATED VIEW



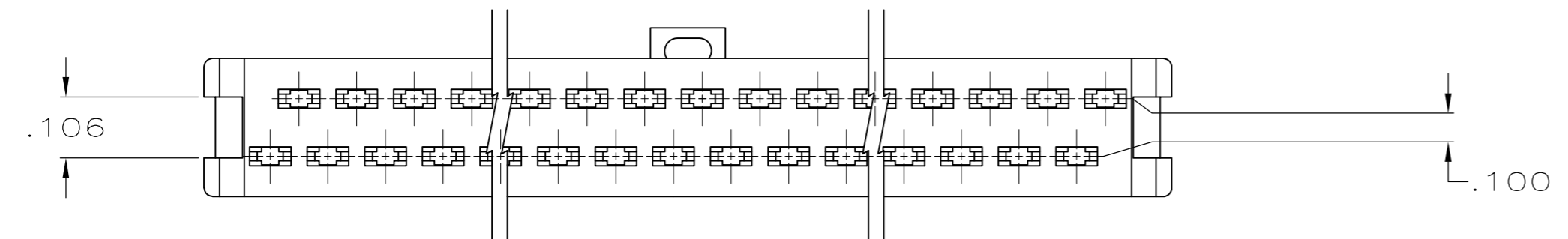
DETAIL Z
SCALE 10:1
TYPICAL



A SPACES AT .050 STAGGERED SPACING
=B REF



1.125	2.100	2.380	2.150	43	44	1-1658621-3
1.625	3.100	3.380	3.150	63	64	1-1658621-2
1.525	2.900	3.180	2.950	59	60	1-1658621-1
1.275	2.400	2.680	2.450	49	50	1-1658621-0
1.025	1.900	2.180	1.950	39	40	1658621-9
.875	1.600	1.880	1.650	33	34	1658621-8
.775	1.400	1.680	1.450	29	30	1658621-7
.675	1.200	1.480	1.250	25	26	1658621-6
.625	1.100	1.380	1.150	23	24	1658621-5
.525	.900	1.180	.950	19	20	1658621-4
.425	.700	.980	.750	15	16	1658621-3
.375	.600	.880	.650	13	14	1658621-2
.275	.400	.680	.450	9	10	1658621-1
E	D	C	B	A	NO OF POSN	PART NUMBER



THIS DRAWING IS A CONTROLLED DOCUMENT.

DWN R. SAMICK 22AUG03	 TE Connectivity RECEPTACLE ASSY, CENTER & MILITARY POLARIZATION, LEAD FREE, AMP-LATCH™ NOVO	
CHK C. ROHDE 22AUG03		
APVD M. WALMSLEY 22AUG03		
PRODUCT SPEC 108-40000		
MATERIAL SEE NOTES	APPLICATION SPEC 114-40005 WEIGHT - CUSTOMER DRAWING	
DIMENSIONS: INCHES TOLERANCES UNLESS OTHERWISE SPECIFIED: 0 PLC ± - 1 PLC ± - 2 PLC ± - 3 PLC ± .005 4 PLC ± - ANGLES ± 5° FINISH SEE NOTES		NAME SIZE A2 CAGE CODE 00779 DRAWING NO C=1658621 RESTRICTED TO - SCALE 4:1 SHEET 1 of 1 REV C1

X-ON Electronics

Largest Supplier of Electrical and Electronic Components

Click to view similar products for [Headers & Wire Housings](#) category:

Click to view products by [TE Connectivity](#) manufacturer:

Other Similar products are found below :

[892-18-020-10-001101](#) [58102-G61-06LF](#) [582553-1](#) [0009485154](#) [009176003701906](#) [0050291907](#) [LY20-4P-DT1-P1E-BR](#) [02.125.8002.8](#)
[609-3404](#) [61062-3](#) [61082-181009](#) [622-3653LF](#) [63453-116](#) [636-1030](#) [636-1427](#) [636-3427](#) [636-4007](#) [641938-9](#) [641991-4](#) [644827-2](#) [65817-](#)
[010LF](#) [65817-015LF](#) [65863-015LF](#) [66207-023LF](#) [67095-007LF](#) [67601157](#) [68645-018](#) [68648-049](#) [70.362.1628.0](#) [70-4210](#) [70-4226B](#) [70-](#)
[4853B](#) [707-5020](#) [707-5028](#) [71.350.2428.0](#) [71918-208LF](#) [71961-016LF](#) [733-134](#) [733-162](#) [754199-000](#) [760-3052](#) [787-8014-00](#) [79531-3000](#)
[FCN-360C032-B](#) [FCN-367T-T012/H](#) [FCN-723D010/2](#) [80.063.4001.1](#) [800-90-001-10-001000](#) [800-90-010-10-002000](#) [801-43-002-10-013000](#)