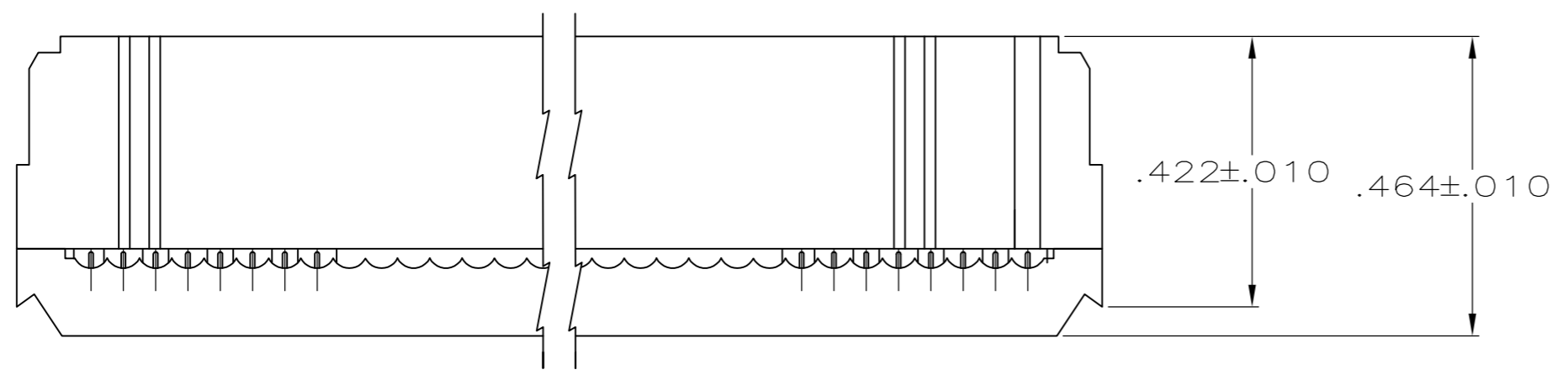


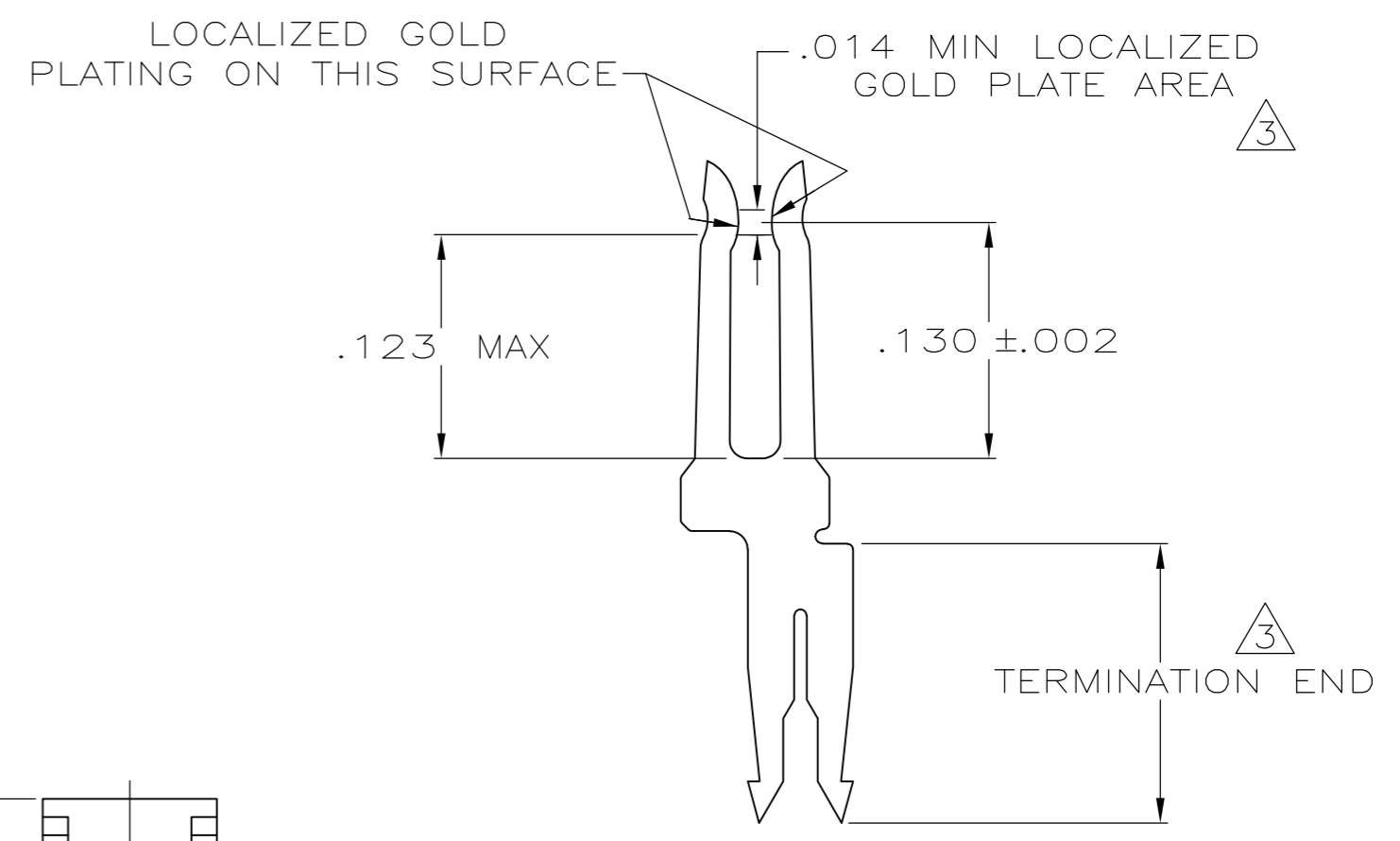
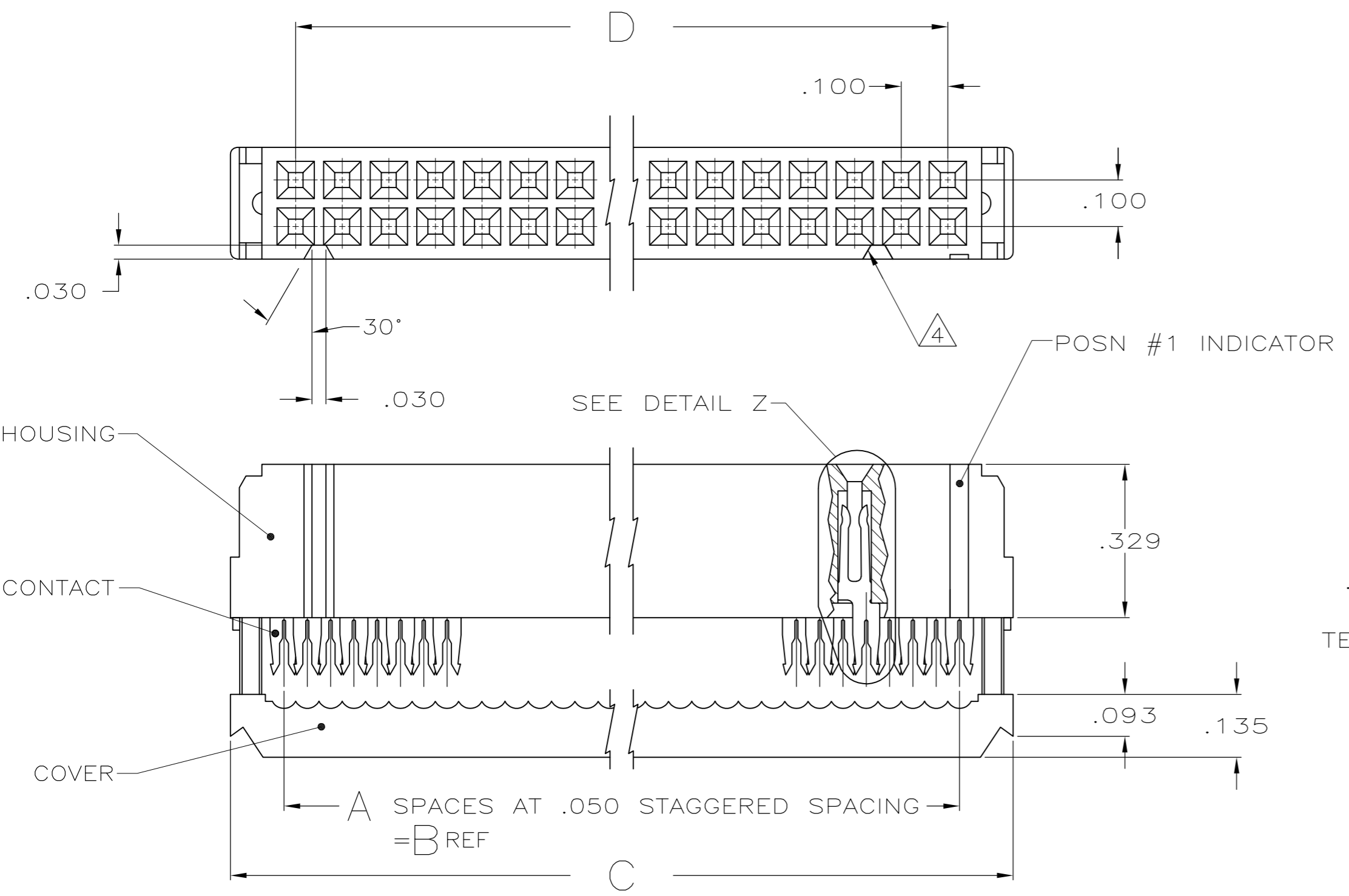
THIS DRAWING IS UNPUBLISHED. RELEASED FOR PUBLICATION  
 © COPYRIGHT - By - ALL RIGHTS RESERVED.

LOC		DIST		REVISIONS			
P	LTR	DESCRIPTION		DATE	DWN	APVD	
GP	00	E1	REVISED PER ECO-11-004835		11MAR11	RK	HMR

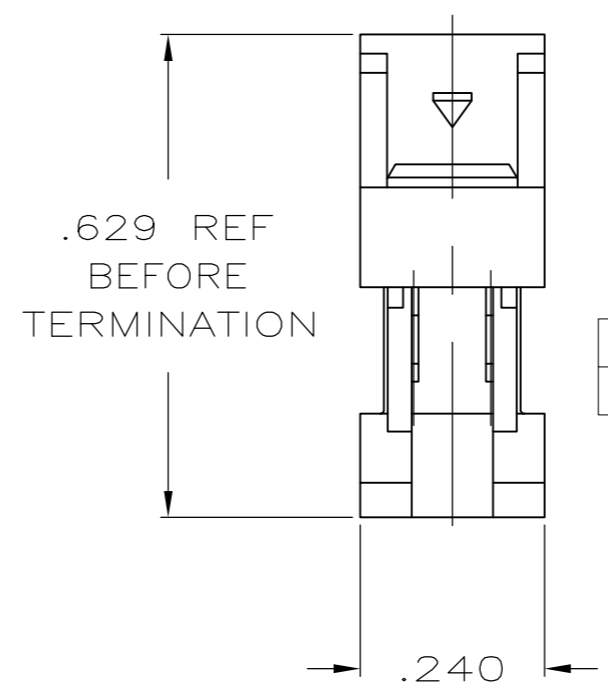
- ① MOLDED PARTS: UL RATED 94V-0 THERMOPLASTIC, BLACK.
- ② CONTACTS: PHOSPHOR BRONZE PER QQ-B-750.
- ③ CONTACTS: PLATED WITH .000030 MIN GOLD IN LOCALIZED GOLD PLATE AREA, .000050 MIN TIN ON TERMINATION END, ALL OVER .000050 MIN NICKEL ON ENTIRE CONTACT.  
OR  
GOLD FLASH OVER PALLADIUM-NICKEL PLATE .000030 MIN TOTAL IN LOCALIZED GOLD PLATE AREA, .000050 MIN TIN ON TERMENATION END, ALL OVER .000050 MIN NICKEL ON ENTIRE CONTACT.
- ④ POLARIZING FEATURE DOES NOT EXIST ON SAME END AS THE POSN #1 INDICATOR ON 10 AND 14 POSN PRODUCT.



TERMINATED VIEW



DETAIL Z  
SCALE 10:1  
TYPICAL



OBSOLETE	3.100	3.380	3.150	63	64	1-1658623-2
OBSOLETE	2.900	3.180	2.950	59	60	1-1658623-1
	2.400	2.680	2.450	49	50	1-1658623-0
	1.900	2.180	1.950	39	40	1658623-9
	1.600	1.880	1.650	33	34	1658623-8
	1.400	1.680	1.450	29	30	1658623-7
	1.200	1.480	1.250	25	26	1658623-6
	1.100	1.380	1.150	23	24	1658623-5
	.900	1.180	.950	19	20	1658623-4
	.700	.980	.750	15	16	1658623-3
	.600	.880	.650	13	14	1658623-2
	.400	.680	.450	9	10	1658623-1
	D	C	B	A	NO OF POSN	PART NUMBER

THIS DRAWING IS A CONTROLLED DOCUMENT.

DIMENSIONS: INCHES	TOLERANCES UNLESS OTHERWISE SPECIFIED:	DWN R. SAMICK 25AUG03	 TE Connectivity RECEPTACLE ASSY, MILITARY POLARIZATION, LEAD FREE, AMP-LATCH™ NOVO
	0 PLC ± -	CHK C. ROHDE 25AUG03	
	1 PLC ± -	APVD M. WALMSLEY 25AUG03	
	2 PLC ± -	NAME	
MATERIAL SEE NOTES	FINISH SEE NOTES	PRODUCT SPEC 108-40000	RESTRICTED TO
		APPLICATION SPEC 114-40005	SIZE A2
		WEIGHT -	CAGE CODE 00779
		CUSTOMER DRAWING	SCALE 4:1
			SHEET 1 of 1
			REV E1

## X-ON Electronics

Largest Supplier of Electrical and Electronic Components

*Click to view similar products for [Headers & Wire Housings](#) category:*

*Click to view products by [TE Connectivity](#) manufacturer:*

Other Similar products are found below :

[892-18-020-10-001101](#) [58102-G61-06LF](#) [582553-1](#) [0009485154](#) [009176003701906](#) [0050291907](#) [LY20-4P-DT1-P1E-BR](#) [02.125.8002.8](#)  
[609-3404](#) [61062-3](#) [61082-181009](#) [622-3653LF](#) [63453-116](#) [636-1030](#) [636-1427](#) [636-3427](#) [636-4007](#) [641938-9](#) [641991-4](#) [644827-2](#) [65817-010LF](#) [65817-015LF](#) [65863-015LF](#) [66207-023LF](#) [67095-007LF](#) [67601157](#) [68645-018](#) [68648-049](#) [70.362.1628.0](#) [70-4210](#) [70-4226B](#) [70-4853B](#) [707-5020](#) [707-5028](#) [71.350.2428.0](#) [71918-208LF](#) [71961-016LF](#) [733-134](#) [733-162](#) [754199-000](#) [760-3052](#) [787-8014-00](#) [79531-3000](#)  
[FCN-360C032-B](#) [FCN-367T-T012/H](#) [FCN-723D010/2](#) [80.063.4001.1](#) [800-90-001-10-001000](#) [800-90-010-10-002000](#) [801-43-002-10-013000](#)