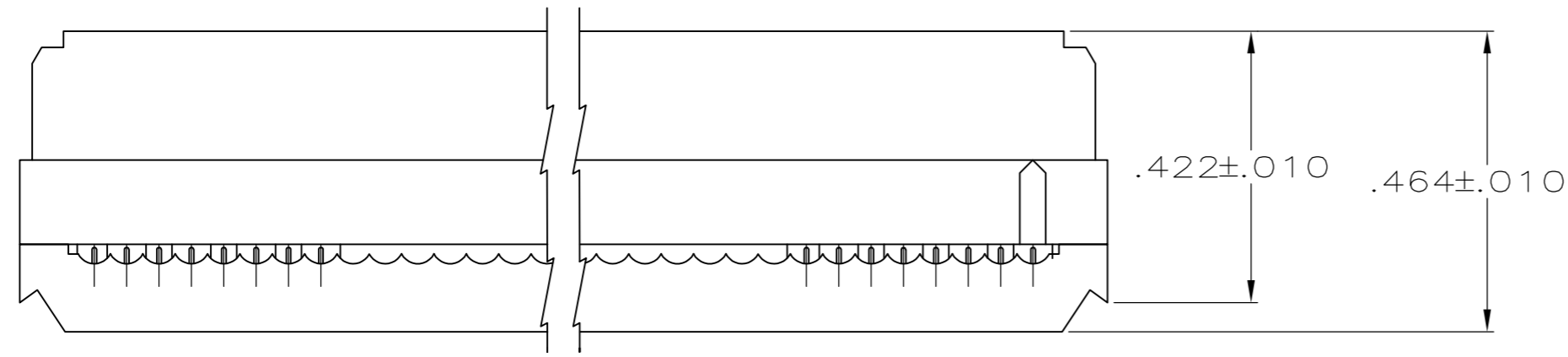
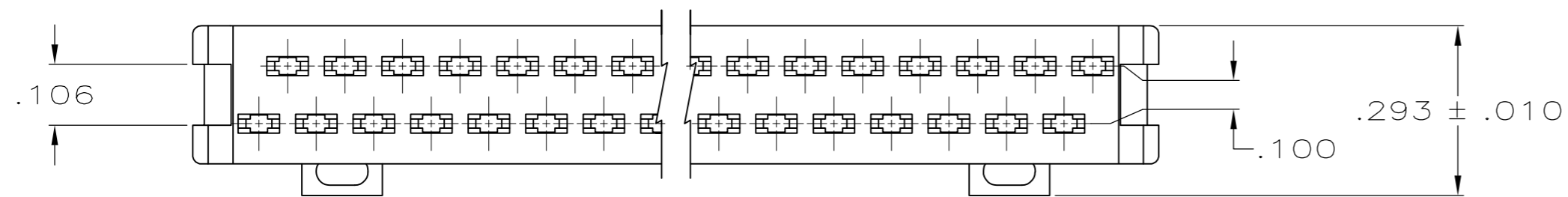
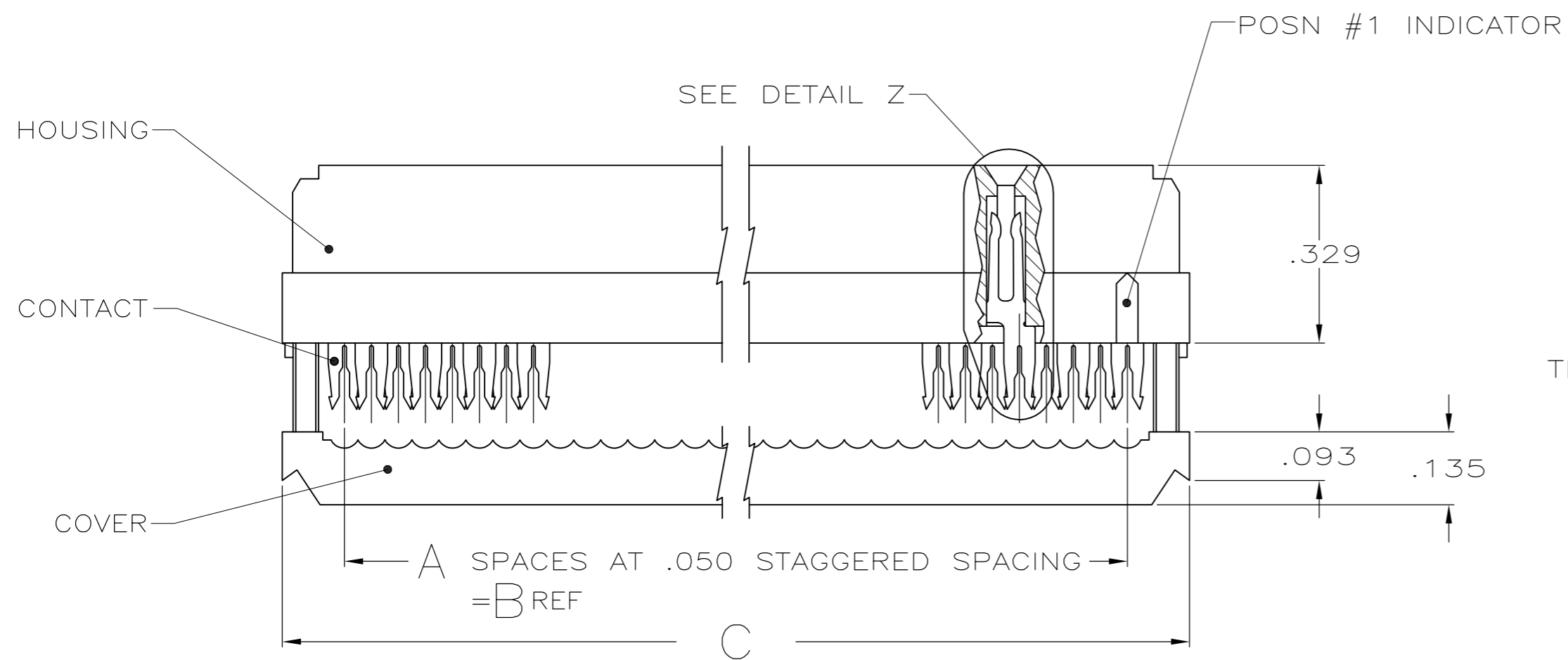
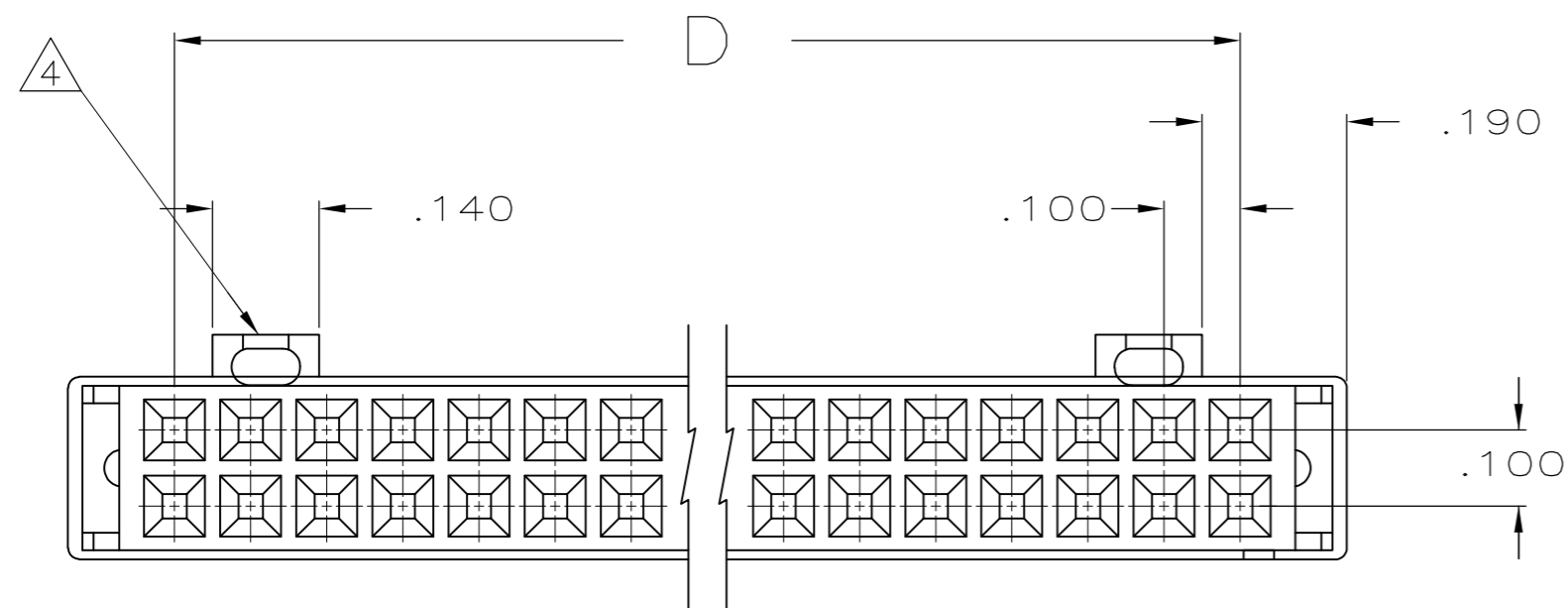


THIS DRAWING IS UNPUBLISHED. RELEASED FOR PUBLICATION
 © COPYRIGHT - By - ALL RIGHTS RESERVED.

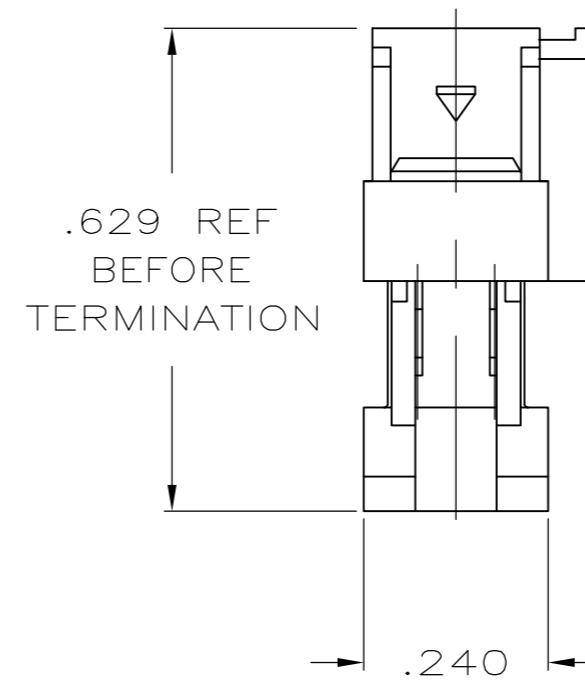
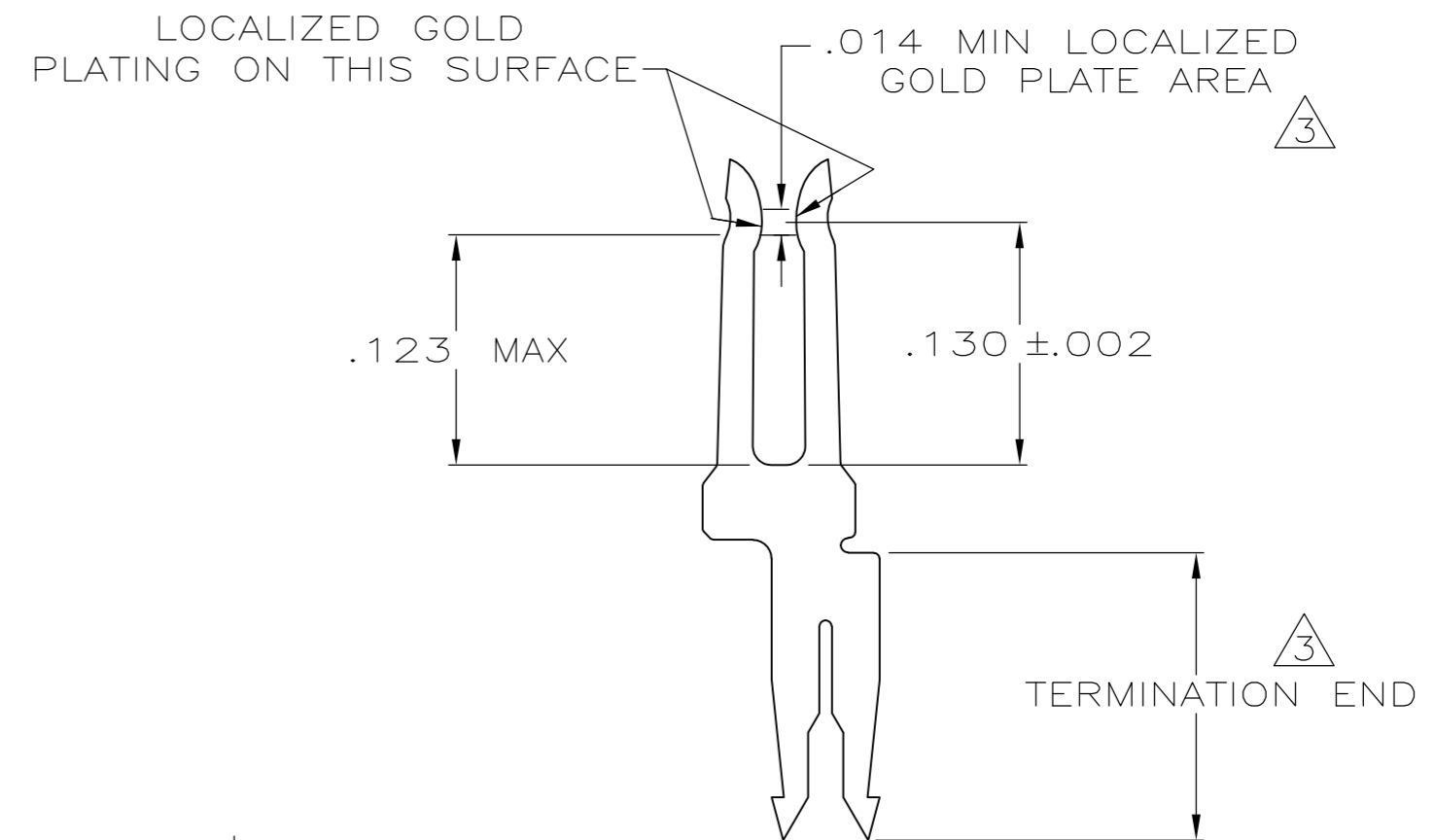
LOC		DIST		REVISIONS			
P	LTR	DESCRIPTION		DATE	DWN	APVD	
GP	00	C1		REVISED PER ECO-11-004835	11MAR11	RK HMR	



TERMINATED VIEW



- ① MOLDED PARTS: UL RATED 94V-0 THERMOPLASTIC, BLACK.
- ② CONTACTS: PHOSPHOR BRONZE PER QQ-B-750.
- ③ CONTACTS: PLATED WITH .000030 MIN GOLD IN LOCALIZED GOLD PLATE AREA, .000050 MIN TIN ON TERMINATION END, ALL OVER .000050 MIN NICKEL ON ENTIRE CONTACT.
OR
GOLD FLASH OVER PALLADIUM-NICKEL PLATE .000030 MIN TOTAL IN LOCALIZED GOLD PLATE AREA, .000050 MIN TIN ON TERMINATION END, ALL OVER .000050 MIN NICKEL ON ENTIRE CONTACT.
- ④ POLARIZING FEATURE DOES NOT EXIST ON END OPPOSITE THE POSN #1 INDICATOR ON 10 POSN PRODUCT.



DETAIL Z
SCALE 10:1
TYPICAL

2.100	2.380	2.150	43	44	1-1658624-3
3.100	3.380	3.150	63	64	1-1658624-2
2.400	2.680	2.450	49	50	1-1658624-0
1.900	2.180	1.950	39	40	1658624-9
1.600	1.880	1.650	33	34	1658624-8
1.400	1.680	1.450	29	30	1658624-7
1.200	1.480	1.250	25	26	1658624-6
1.100	1.380	1.150	23	24	1658624-5
.900	1.180	.950	19	20	1658624-4
.700	.980	.750	15	16	1658624-3
.600	.880	.650	13	14	1658624-2
.400	.680	.450	9	10	1658624-1
D	C	B	A	NO OF POSN	PART NUMBER

THIS DRAWING IS A CONTROLLED DOCUMENT.

DWN	R. SAMICK	25AUG03	 TE Connectivity
CHK	C. ROHDE	25AUG03	
APVD	M. WALMSLEY	25AUG03	
NAME	RECEPTACLE ASSY, DUAL BAR POLARIZATION, LEAD FREE, AMP-LATCH™ NOVO		
DIMENSIONS:	TOLERANCES UNLESS OTHERWISE SPECIFIED:	PRODUCT SPEC	108-40000
INCHES	0 PLC ± - 1 PLC ± - 2 PLC ± - 3 PLC ± .005 4 PLC ± - ANGLES ± -	APPLICATION SPEC	114-40005
MATERIAL	FINISH	WEIGHT	-
SEE NOTES	SEE NOTES	SCALE	A2 00779 C=1658624
CUSTOMER DRAWING			RESTRICTED TO

SCALE 4:1 SHEET 1 OF 1 REV C1

X-ON Electronics

Largest Supplier of Electrical and Electronic Components

Click to view similar products for [Headers & Wire Housings](#) category:

Click to view products by [TE Connectivity](#) manufacturer:

Other Similar products are found below :

[892-18-020-10-001101](#) [58102-G61-06LF](#) [582553-1](#) [0009485154](#) [009176003701906](#) [0050291907](#) [LY20-4P-DT1-P1E-BR](#) [02.125.8002.8](#)
[609-3404](#) [61062-3](#) [61082-181009](#) [622-3653LF](#) [63453-116](#) [636-1030](#) [636-1427](#) [636-3427](#) [636-4007](#) [641938-9](#) [641991-4](#) [644827-2](#) [65817-](#)
[010LF](#) [65817-015LF](#) [65863-015LF](#) [66207-023LF](#) [67095-007LF](#) [67601157](#) [68645-018](#) [68648-049](#) [70.362.1628.0](#) [70-4210](#) [70-4226B](#) [70-](#)
[4853B](#) [707-5020](#) [707-5028](#) [71.350.2428.0](#) [71918-208LF](#) [71961-016LF](#) [733-134](#) [733-162](#) [754199-000](#) [760-3052](#) [79531-3000](#) [FCN-](#)
[360C032-B](#) [FCN-367T-T012/H](#) [FCN-723D010/2](#) [80.063.4001.1](#) [800-90-010-10-002000](#) [801-43-002-10-013000](#) [801-43-006-10-002000](#)
[801-93-011-10-001000](#)