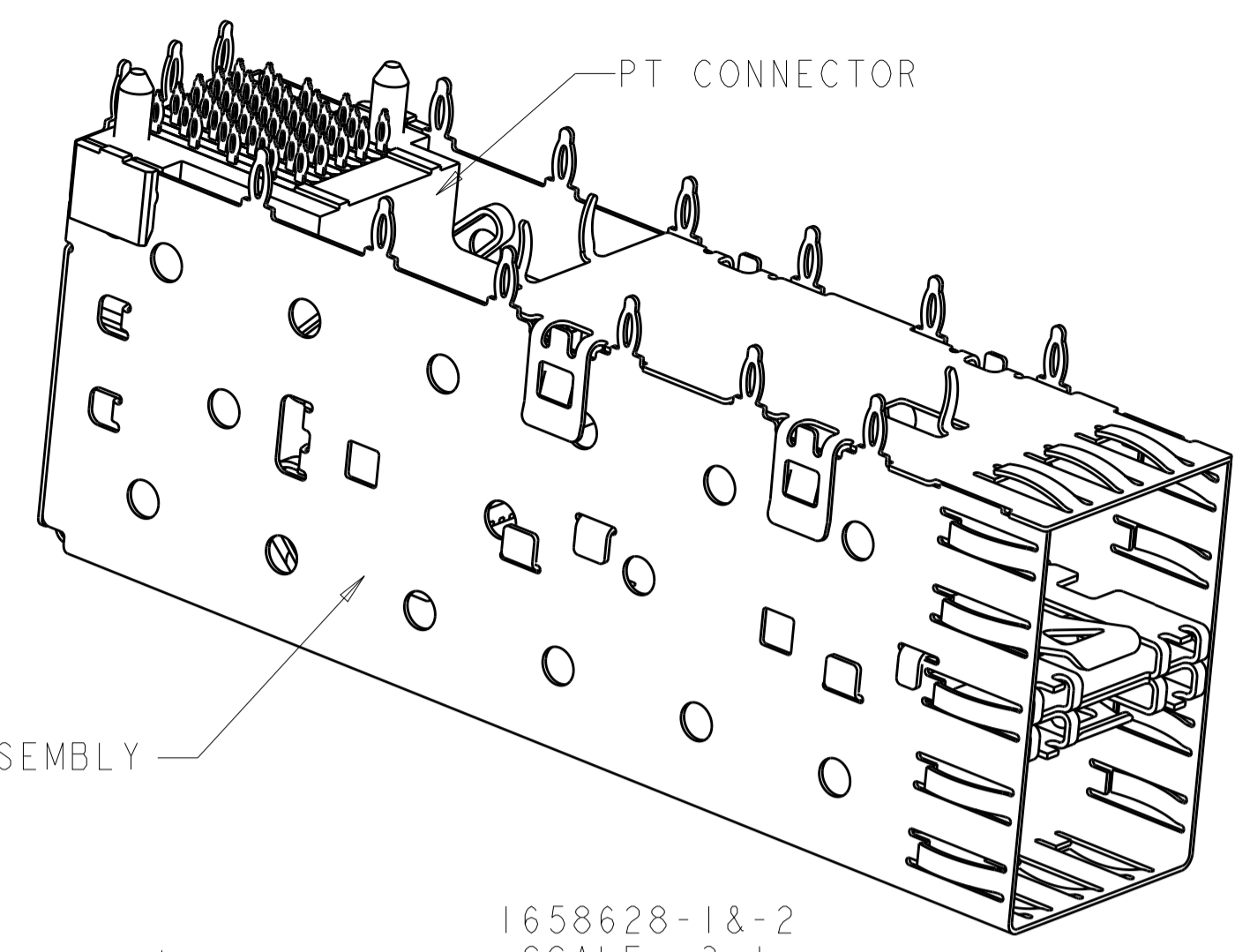
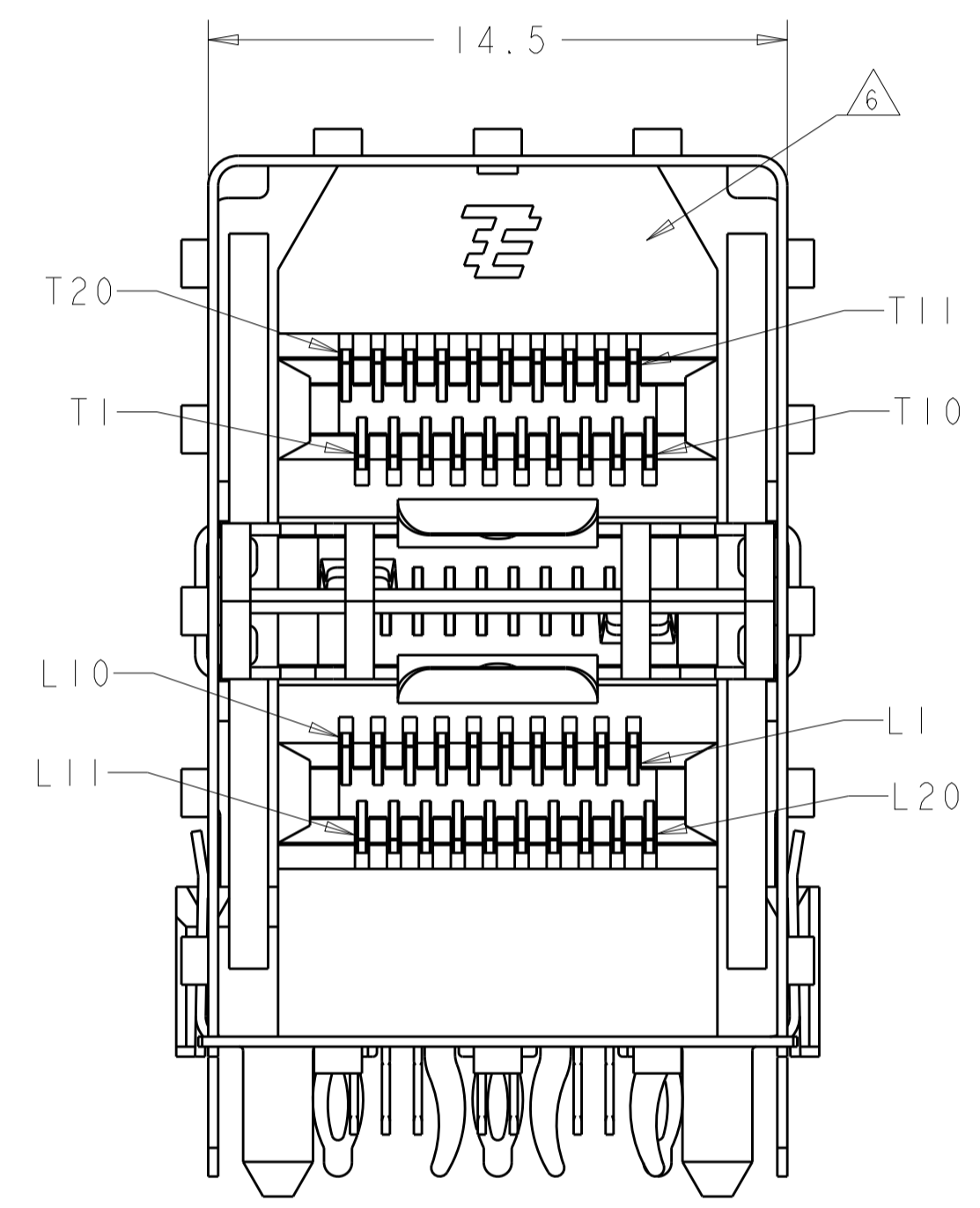
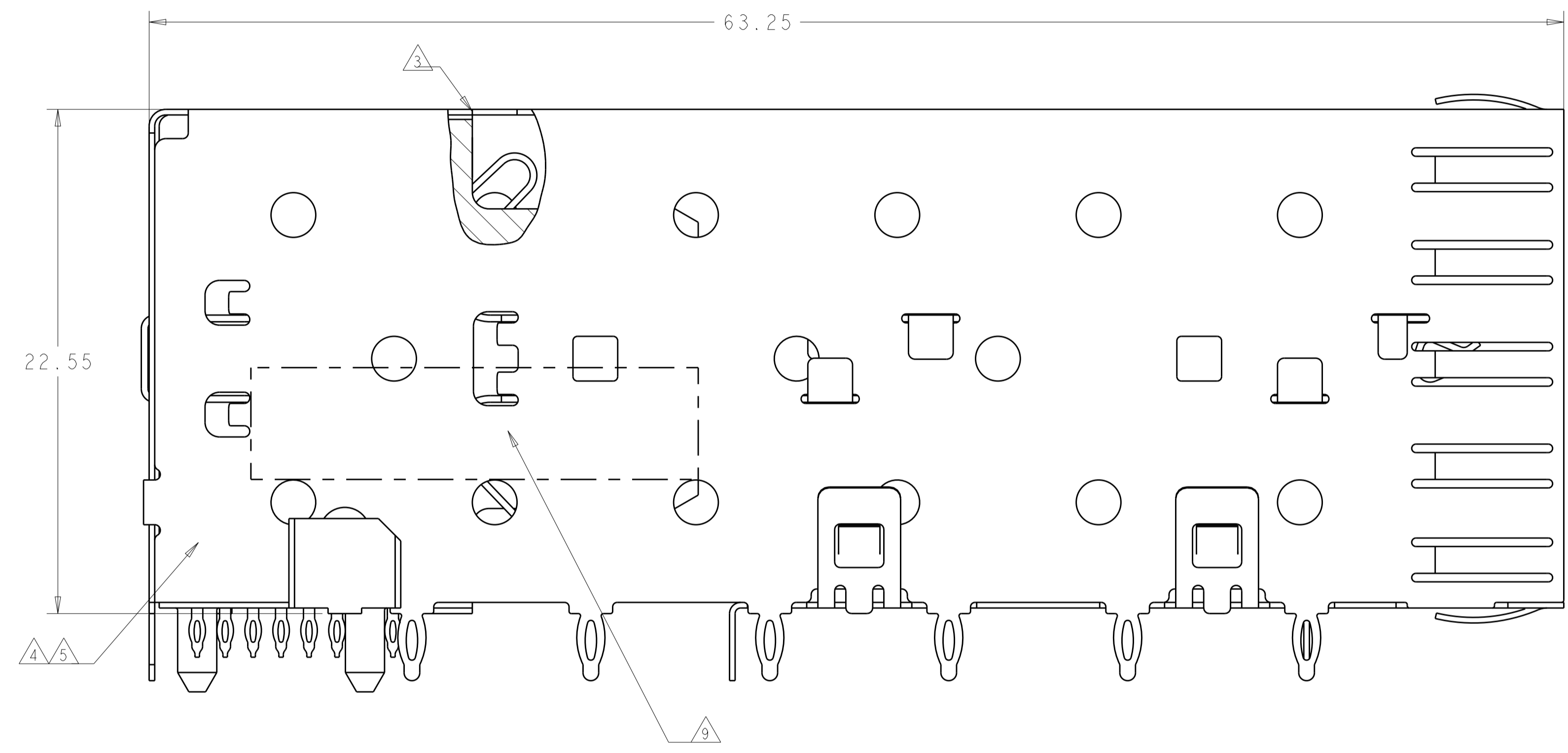


LOC	DIST	REVISIONS			
		REV	DATE	BY	CHKD
ES	00	F1	18MAR2011	RK	HMR
		G	20FEB2014	JW	SH
		G1	11JUL2014	JW	SH
		H	22SEP2015	JW	SH

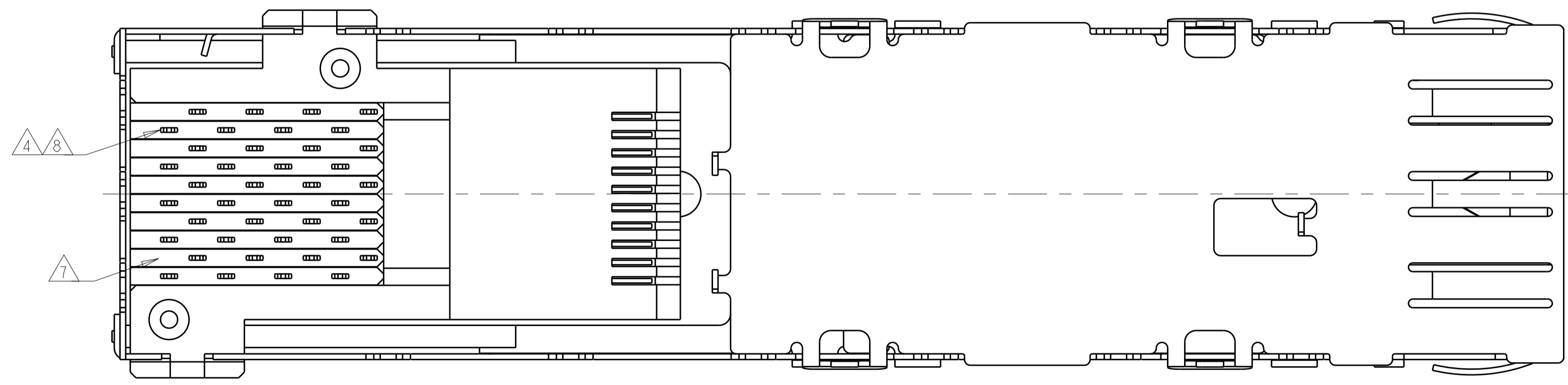


2X1 CAGE ASSEMBLY

1658628-18-2
SCALE 3:1



- ① DATUM AND BASIC DIMENSION TO BE DETERMINED BY CUSTOMER.
- ② INTERPRETATION OF DATUM REFERENCE FRAME IN ACCORDANCE WITH SECT 4.4.1.1 OF ASME Y14.5M-1994.
- ③ TOP OF PT CONNECTOR TO BE 0-0.15 FROM INSIDE SURFACE OF CAGE.
- ④ COPPER ALLOY.
- ⑤ 1.25umMIN TIN PER ASTM B 545 OVER NICKEL FLASH PER QQ-N-290. NON-PLATED EDGES PERMISSIBLE.
- ⑥ LCP, HIGH TEMPERATURE, UL 94V-0 RATED, BLACK.
- ⑦ POLYESTER, UL 94V-0 RATED, BLACK.
- ⑧ CONTACT MATING AREA: SURFACE TREATMENT OVER 0.76um MIN GOLD PER ASTM B 488 OVER 1.27um MIN NICKEL PER QQ-N-290. NEEDLE EYE: 1.25um MIN TIN PER ASTM B 545 OVER 1.27um MIN NICKEL PER QQ-N-290. REMAINDER OF CONTACT: 0.76um MIN NICKEL PER QQ-N-290.
- ⑨ DATE CODE AND PART NUMBER IN APPROXIMATE AREA SHOWN.
- ⑩ MATERIAL: NICKEL SILVER ALLOY(NO PLATING)



SUPERSEDED BY:
1658628-2

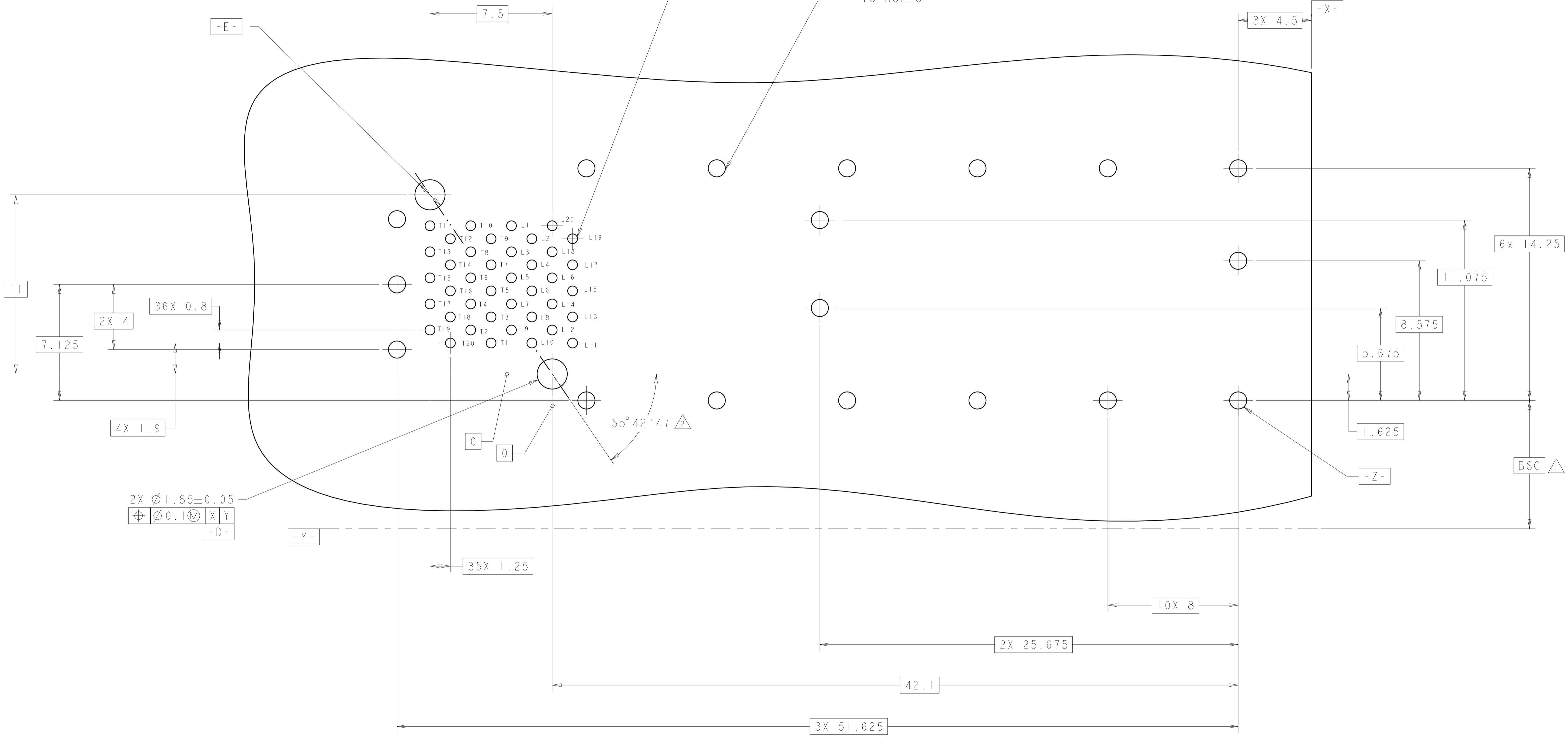
CONNECTOR FINISH	CONNECTOR MATERIAL	CAGE FINISH	CAGE MATERIAL	PART NUMBER
⑧	④, ⑦	⑤	⑥	1658628-2
NO				1658628-1

THIS DRAWING IS A CONTROLLED DOCUMENT.		OWN	17APR03	TE Connectivity	
DIMENSIONS:		CHK	R. HENRY	NAME	
TOLERANCES UNLESS OTHERWISE SPECIFIED:		APVD	J. KOPPENHEFFER	CAGE AND PT CONNECTOR ASSEMBLY, 2x1, PRESS FIT, LOW PROFILE, SFP	
mm	0 PLC ±	PRODUCT SPEC	M. WALMSLEY	SIZE	CAGE CODE DRAWING NO
	2 PLC ±0.1	APPLICATION SPEC		A100779	1658628
	3 PLC ±	WEIGHT		SCALE	6:1
	4 PLC ±	Customer Drawing		SHEET	1 OF 3
	ANGLES ±			REV	H

LOC	DIST	REVISIONS			
P	LTN	DESCRIPTION	DATE	DWN	APVD
ES	00	SEE SHEET 1			

THE HOLE SIZE IS RECOMMENDED ON THE PAGE 4 (TOP OF FIGURE2 FOR CONNECTOR) OF THE TE DOCUMENT 114-13103
 $\varnothing 0.08 \text{ (M)} | \text{DS} | \text{ES}$
 40 HOLES

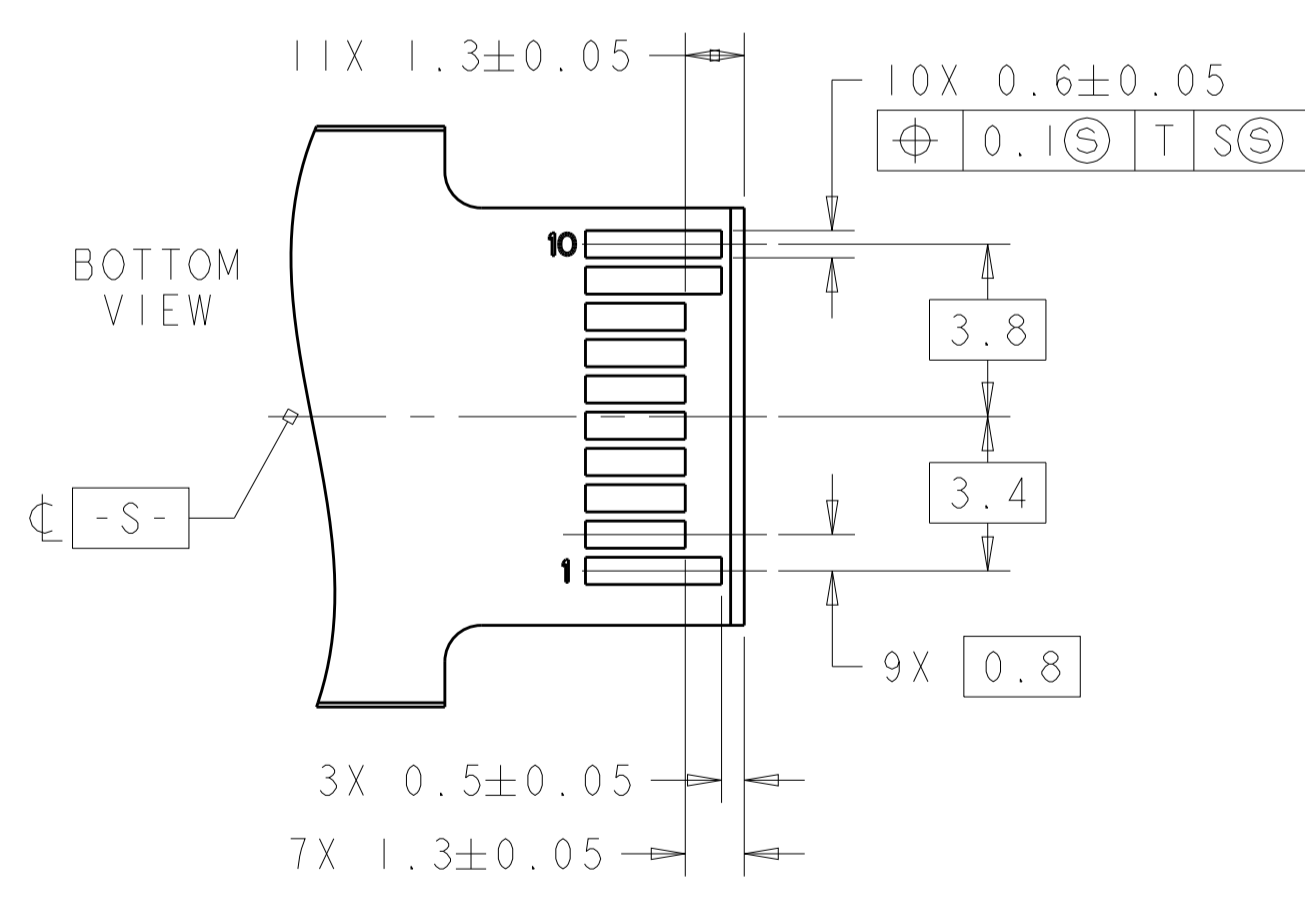
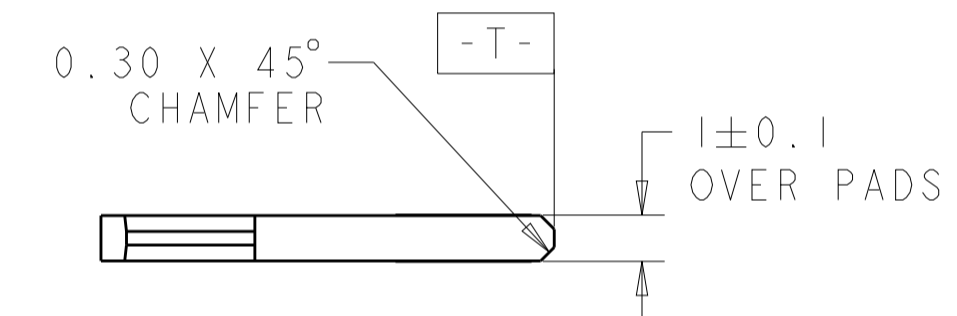
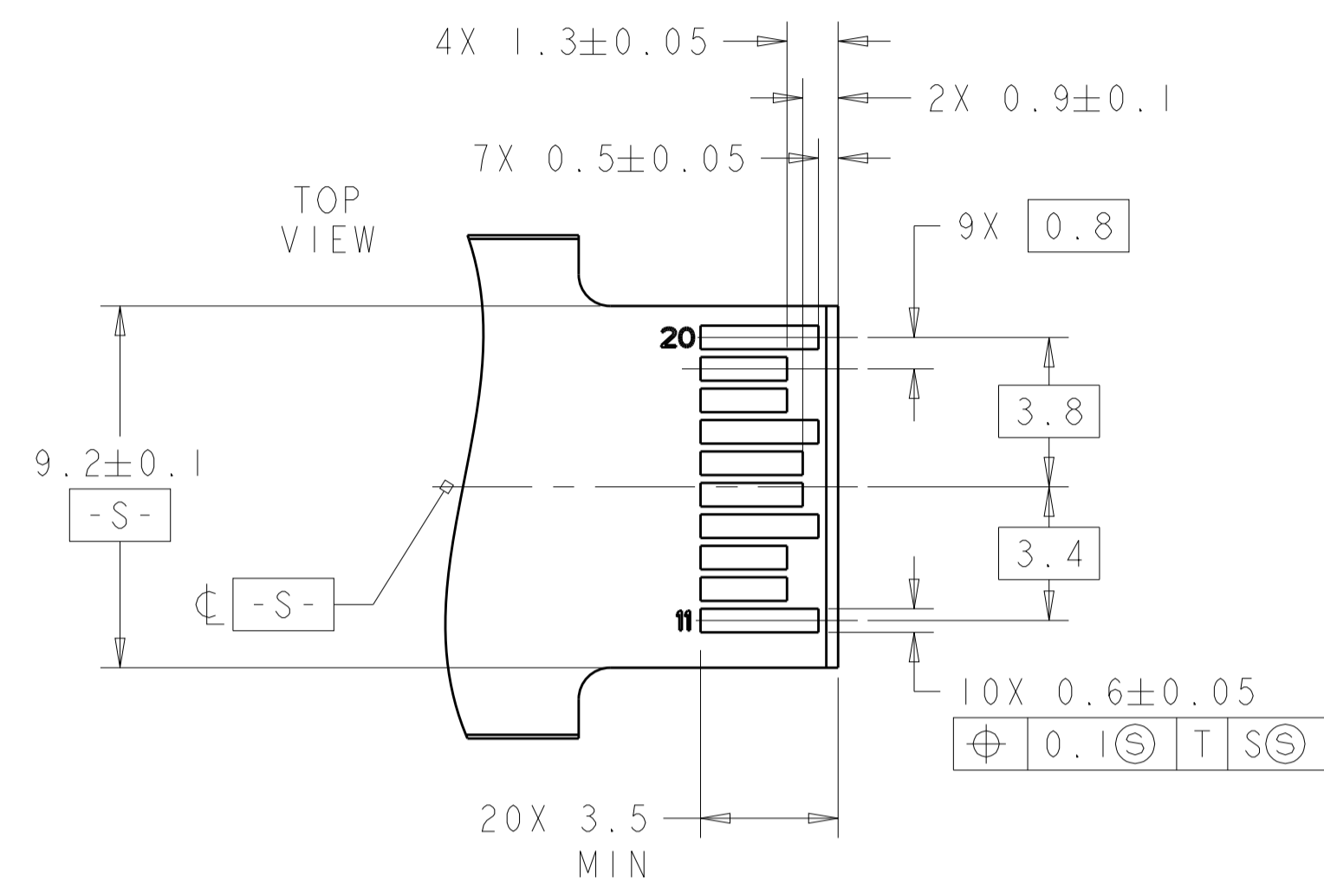
THE HOLE SIZE IS RECOMMENDED ON THE PAGE 4 (BOTTOM OF FIGURE2 FOR CAGE ASSEMBLY) OF THE TE DOCUMENT 114-13103
 $\varnothing 0.1 \text{ (M)} | \text{ZS}$
 18 HOLES



SFP HOST BOARD
 MECHANICAL LAYOUT
 SCALE 8:1

THIS DRAWING IS A CONTROLLED DOCUMENT.		DWN: R. HENRY 11APR03	TE Connectivity
DIMENSIONS: mm		CHK: J. KOPPENHEFFER 23JAN04	
TOLERANCES UNLESS OTHERWISE SPECIFIED:		APVD: M. WALMSLEY 23JAN04	NAME: CAGE AND PT CONNECTOR ASSEMBLY, 2x1, PRESS FIT, LOW PROFILE, SFP SIZE: A100779 CAGE CODE: C=1658628 DRAWING NO: 114-13103 RESTRICTED TO:
0 PLC ±		PRODUCT SPEC: 108-2161	
1 PLC ±0.1		APPLICATION SPEC: 114-13103	
2 PLC ±		WEIGHT: -	
3 PLC ±		Customer Drawing	SCALE: 6:1
4 PLC ±			SHEET: 2 OF 3
ANGLES ±			REV: H
FINISH			

LOC		DIST		REVISIONS			
ES	00	P	LTN	DESCRIPTION	DATE	DWN	APVD
		-		SEE SHEET 1	-	-	-



RECOMMENDED LAYOUT FOR
 MATING TRANSCEIVER PCB
 SCALE 6:1

THIS DRAWING IS A CONTROLLED DOCUMENT.		DWN R. HENRY	17APR03		TE Connectivity
DIMENSIONS:		CHK J. KOPPENHEFFER	23JAN04		
mm	TOLERANCES UNLESS OTHERWISE SPECIFIED:	APVD M. WALMSLEY	23JAN04	NAME CAGE AND PT CONNECTOR ASSEMBLY, 2x1, PRESS FIT, LOW PROFILE, SFP	
0 PLC ±	1 PLC ±0.1	PRODUCT SPEC	108-2161	SIZE CAGE CODE DRAWING NO	
2 PLC ±	3 PLC ±	APPLICATION SPEC	114-13103	RESTRICTED TO	
4 PLC ±	ANGLES ±	WEIGHT	-	A100779C=1658628	
MATERIAL	FINISH	Customer Drawing	SCALE 1:1	SHEET 3 OF 3	REV H

X-ON Electronics

Largest Supplier of Electrical and Electronic Components

Click to view similar products for [Power to the Board](#) category:

Click to view products by [TE Connectivity](#) manufacturer:

Other Similar products are found below :

[6450171-4](#) [6450552-7](#) [6600323-8](#) [6643429-1](#) [6646040-2](#) [6651939-1](#) [6766604-1](#) [120959-1](#) [1393557-2](#) [1393532-2](#) [1393532-3](#) [1393532-4](#)
[1393557-1](#) [1600812-5](#) [1-6450861-2](#) [1744132-7](#) [1761122-1](#) [1766250-1](#) [1892109-1](#) [2-6450860-5](#) [2-6450870-0](#) [1-6450161-4](#) [1-6450850-6](#) [1-](#)
[6450869-6](#) [1645526-2](#) [1-6600130-0](#) [2005243-2](#) [377-0020-11130](#) [TE34-12-16P-F0](#) [51700-10201602AALF](#) [5-6450830-6](#) [5646956-4](#) [377-](#)
[0080-11131A](#) [4-6450830-9](#) [4-6600333-3](#) [10125416-4050LF](#) [10130248-005LF](#) [6600320-3](#) [3-6450860-5](#) [1888123-2](#) [6450166-1](#) [6643978-1](#)
[6766605-1](#) [701-15-02109](#) [N11444](#) [6651938-1](#) [6450810-7](#) [46437-1112](#) [1-1589677-8](#) [5646956-5](#)