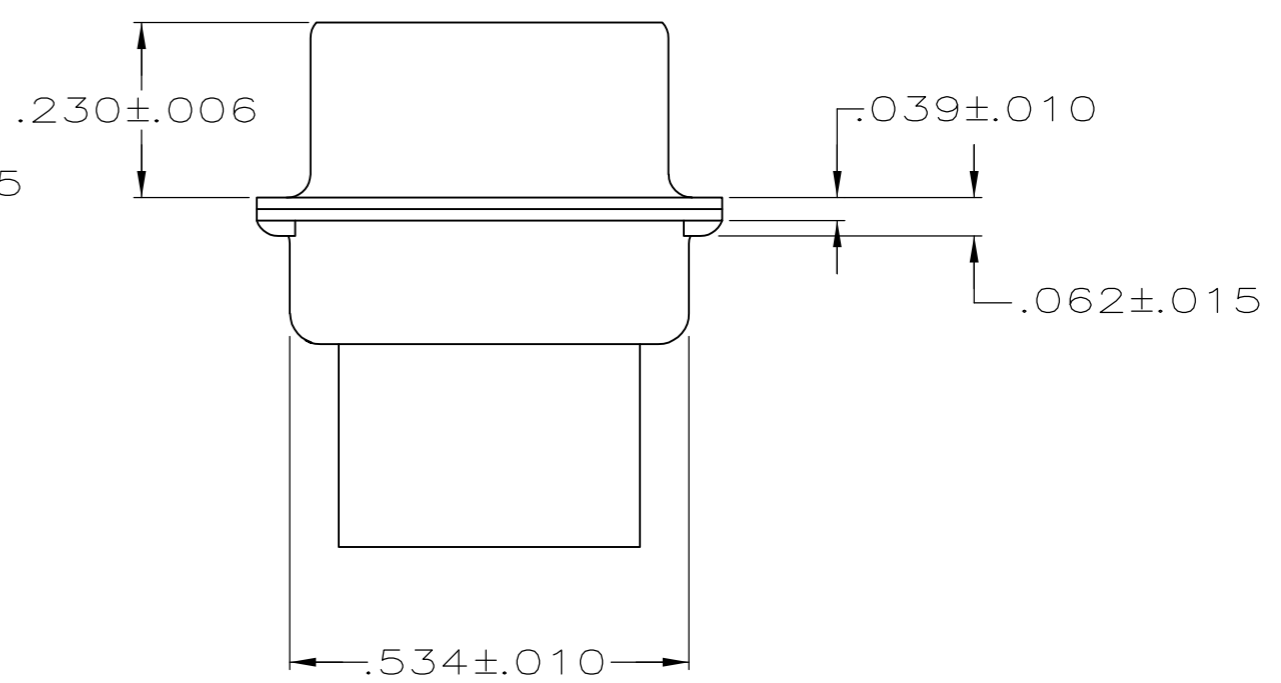
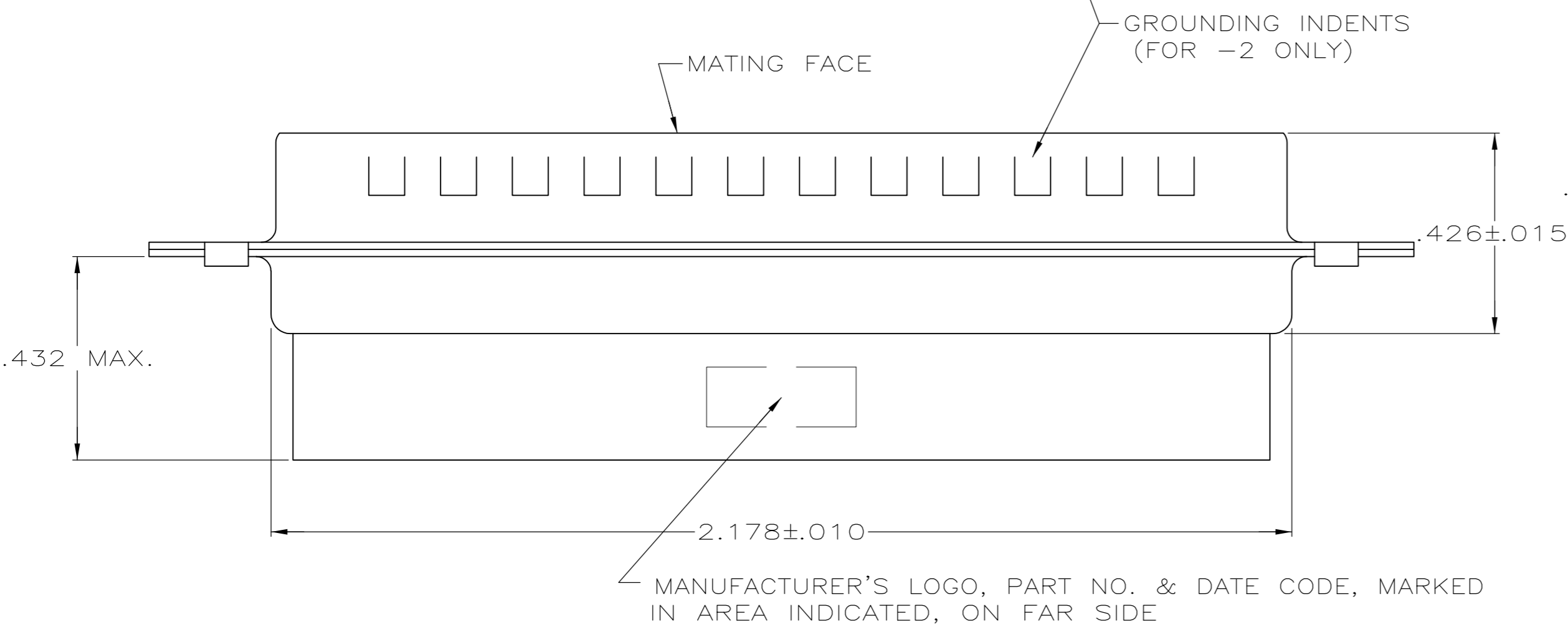
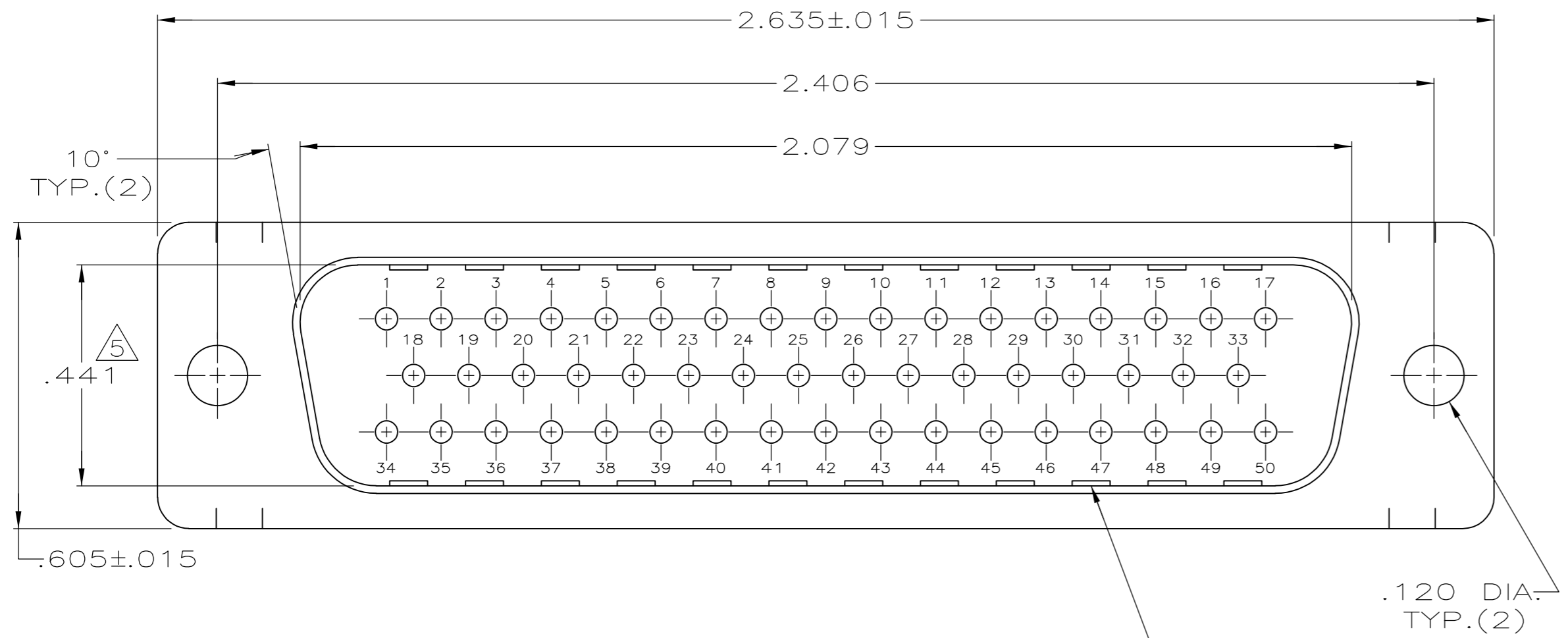


THIS DRAWING IS UNPUBLISHED. RELEASED FOR PUBLICATION  
 © COPYRIGHT - By - ALL RIGHTS RESERVED.

| LOC |    | DIST |     | REVISIONS                 |           |     |      |
|-----|----|------|-----|---------------------------|-----------|-----|------|
| GP  | 00 | P    | LTR | DESCRIPTION               | DATE      | DWN | APVD |
|     |    | E    |     | REVISED PER ECO-14-011808 | 09AUG2014 | AP  | SB   |



- 1 CONNECTOR ACCEPTS SIZE 20 DF PIN CONTACTS, RETENTION TINES ARE AN INTEGRAL PART OF INSERT.
- 2 MATERIAL: MOLDED PARTS - GLASS-FILLED PBT OR GLASS-FILLED NYLON, UL94V-0 RATED. COLOR: BLACK SHELLS - STEEL PER ASTM A109.
- 3 FINISH: SHELL - .000200 MIN TIN PLATE OVER .000100 MIN COPPER UNDERPLATE.
- 4 FINISH: SHELL - ZINC PLATED .000200-.000400 THICK, YELLOW CHROMATE COATING.
- 5 THIS DIMENSION IS  $.441 \pm 0.010$  FOR -2.

|                |        |                   |           |
|----------------|--------|-------------------|-----------|
| STANDARD       | 4      | NO                | 1658641-3 |
| STANDARD       | 3      | YES               | 1658641-2 |
| STANDARD       | 3      | NO                | 1658641-1 |
| PACKAGING TYPE | FINISH | GROUNDING INDENTS | PART NO.  |

|   |   |                  |            |                  |       |   |           |    |
|---|---|------------------|------------|------------------|-------|---|-----------|----|
| THIS DRAWING IS A CONTROLLED DOCUMENT.  |   | DWN              | J.REITZEL  | 29JUL03          |       | TE Connectivity                                 |           |    |
| DIMENSIONS: INCHES  |   | CHK              | S.BOLASH   | 29JUL03          |       | NAME  |           |    |
| TOLERANCES UNLESS OTHERWISE SPECIFIED:  |   | APVD             | M.WALMSLEY | 29JUL03          |       | PLUG CONNECTOR, SIZE 5, 50 POS., AMPLIMITE™ HDP |           |    |
| 0 PLC ± -<br>1 PLC ± -<br>2 PLC ± -<br>3 PLC ± .005<br>4 PLC ± -<br>ANGLES ± 2°<br>FINISH SEE TABLE |   | PRODUCT SPEC     | 108-40005  | APPLICATION SPEC |       | 114-40030                                       | SIZE      | A2 |
| MATERIAL  | 2 | WEIGHT           | -          | CAGE CODE        | 00779 | DRAWING NO                                      | C=1658641 |    |
|   |   | CUSTOMER DRAWING | SCALE      | 4:1              | SHEET | 1 of 1  | REV       |    |

1658641

## X-ON Electronics

Largest Supplier of Electrical and Electronic Components

*Click to view similar products for [D-Sub Standard Connectors](#) category:*

*Click to view products by [TE Connectivity](#) manufacturer:*

Other Similar products are found below :

[56F711-015](#) [012-9507-004](#) [LV242999-142T12](#) [015-0341-000](#) [015-0372-005](#) [015-0372-008](#) [015-8755-001](#) [020419-0104](#) [012-0467-000](#) [012-0515-000](#) [012-9507-034](#) [012-9507-114](#) [020745-0008](#) [609-25P](#) [M24308/2-23Z](#) [CT2-14S-2PCA34](#) [CT2-18-11PCAU](#) [CT2-36-15SC](#) [CT6-14S-2SC](#) [CT6E14SA7SC](#) [CT6E22-14PC](#) [CT6E22-14PS](#) [CT6E22-22PS](#) [CT6M20-19SS](#) [M83513/01-FC](#) [M85049/48-3-2F](#) [6STD09PCM99B70X](#) [6STD09SCM99B30X](#) [6STD09SCT99S40X](#) [6STD15PCT99S40X](#) [6STD15SCM99B30X](#) [6STD15SCT99S40X](#) [6STF09PCM05B70X](#) [7-135760-9](#) [MC11E-10-6SN](#) [747552-3](#) [MD1-21PS](#) [MDM-15SCBRM7-F222](#) [MDM96517-699](#) [MDM96521-744](#) [MDVB1-21SL1](#) [MIK0-1-7SH003](#) [MIKQ6-7SH076](#) [MIKQ7-7PH077](#) [MIKQ7-7PH11](#) [MIKQ7-7PH32](#) [MJSV-28SL61](#) [MKJ4A1F14-55S](#) [8-135760-3](#) [8STD09PCM99B30X](#)